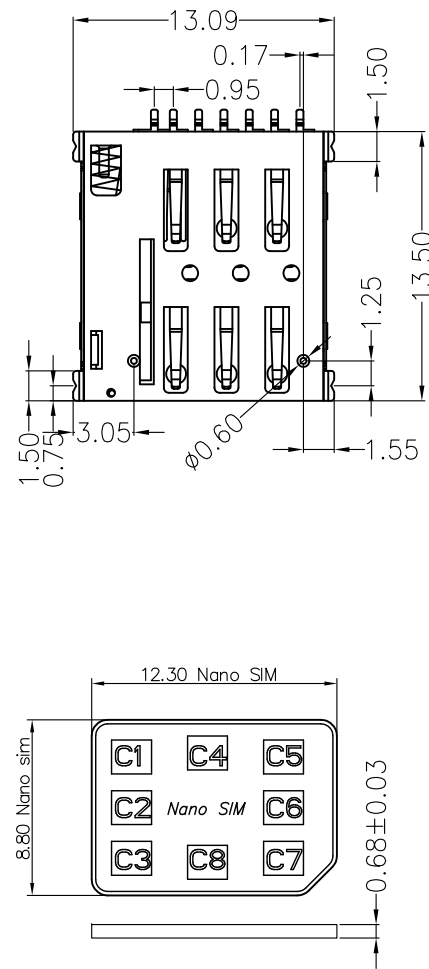


SIM pin assignment	
PIN#	Name
C1	VCC
C2	RST
C3	CLK
C5	GND
C6	VPP
C7	I/O

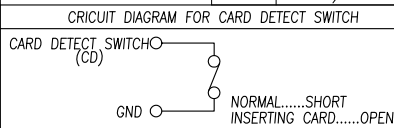
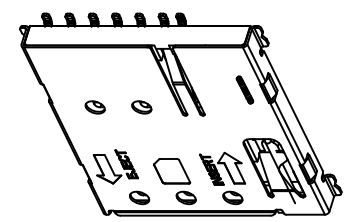
PCB AREA
RECOMMENDED PCB LAYOUT
GENERAL TOLERANCE ±0.05



SPECIFICATION
MATERIAL:
 Insulator: High Temperature Thermoplastic, UL 94V-0.
 Contact: Copper Alloy
 SHELL: SUS
PLATING:
 Contact: Plated 30u" Ni Overall Contact Au 1u"
 Shell: Plated 50u" Ni Overall, PAD Au 1u"
Electrical:
 Current Rating :0.5mA AC/DC max.
 Voltage Rating :125V AC/DC
 Ambient Temperature Range :-20° C~+60° C
 Storage Temperature Range :-40° C~+70° C
 Ambient Humidity Range :95% R.H. Max.
 Contact Resistance:100mΩ max.
 Insulation Resistance:100MΩ min./500VDC
 Mating Cycles:3000-8000 Insertions
 PEAK TEMPERATURE: 260° C

How to order
 2SM6402-ST0101 XX - S

1. Plating Code
 G0=Gold flash over all
 G1=3u" Gold flash over all
 G2=5u" Gold flash over all
 G4=8u" Gold flash over all
 Standard=G0



GENERAL TOLERANCE		TITLE			
XX. ±	XXX. ±	DWN	coco	PART NO. 2SM6402-ST0101XX-S	
X. ±	.XXX ±0.05	CHKD	2015/04/11	SCALE 1:1	UNIT: mm
.X ±0.15	X.* ±3'	APVD	JAMES	SIZE: A3	SHEET:1 OF 1
.XX ±0.10	.X.* ±2'	REV: 2			
CUSTOMER COPY					

Singatron Enterprise Co., Ltd.