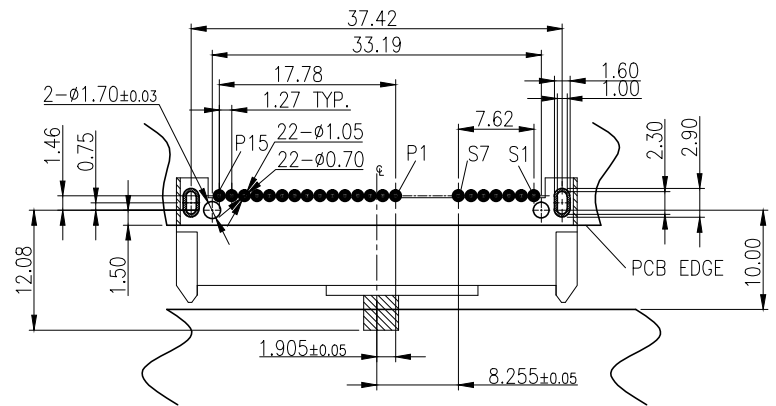
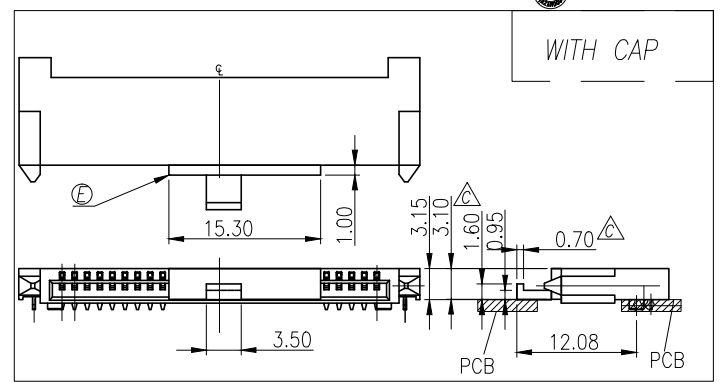
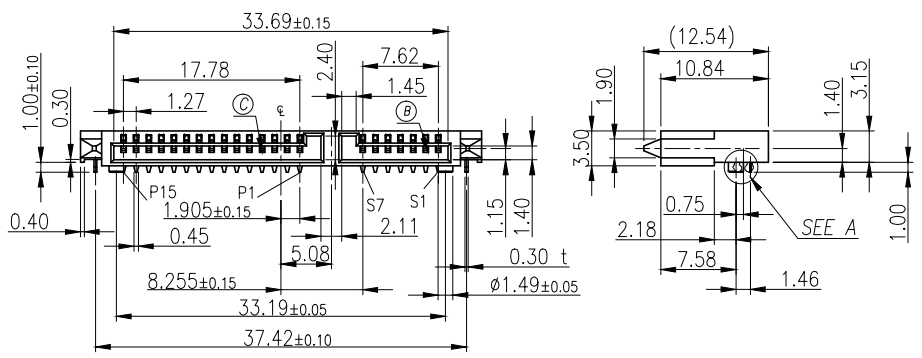
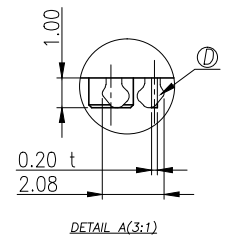
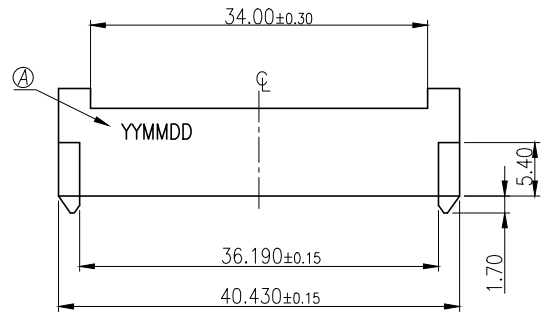


1 2 3 4 5 6 7 8

REV.	ECN NO OR DESCRIPTION	REVISED	DATE
A	PDR NO: T131119-5A	Edi.Zhou	20140626
B	ECN NO:S140716	YUREN	20140916
C	ECN NO:S160463-Q	YUREN	20160721

**SPECIFICATION:**

- 1.MATERIAL:  
 HOUSING: LCP+30% G/F, BLACK,UL 94V-0  
 CONTACT: PHOSPHOR BRONZE , T=0.20MM  
 FORK: BRASS, T=0.30MM
- 2.FINISH:  
 CONTACT: Au 10U" PLATING ON CONTACT AREA;  
 80u" MIN. MATTE TIN PLATING ON SOLDERTAILS;  
 30u" MIN.NICKEL UNDERPLATING OVER ALL.  
 Fork: MATTE-TIN 80u" MIN PLATED OVER Ni 50u"MIN.
- 3:DIELECTRIC STRENGTH:500V/MIN.
- \*ELECTRICAL CHARACTERISRICS:  
 1:CONTACT RESISTANCE:30MΩ MAX.  
 2:INSULATION RESISTANCE:1000MΩ MIN.
- \*MECHANICAL CHARACTERISRICS:  
 1:INSERTION FORCE: 45N MAX.  
 2:EXTRACTION: 10N MIN.  
 3:HALOGEN FREE PRODUCT IDENTIFICATION LOGO ON PACKAGING.



RECOMMEND PCB LAYOUT (TOP VIEW)  
 T=1.20, TOLERANCE:±0.05

E	CAP		LCP +30% G.F HF, UL 94V-0	BLACK
D	FORK	2	BRASS T=0.3mm	MATTE-TIN 80u" MIN PLATED OVER Ni 50u"MIN.
C	TERMINAL 2	15	PHOSPHOR BRONZE T=0.2mm	Au 10U" PLATING ON CONTACT AREA; 80u" MIN. MATTE TIN PLATING ON ; ALL OVER Ni 30u"MIN.
B	TERMINAL 1	7		
A	HOUSING	1	LCP +30% G.F HF, UL 94V-0	BLACK
NO	DESCRIPTION	QTY	MATERIAL	PLATING & COLOR
UNLESS OTHERWISE SPECIFIED TOLERANCES		Singatron Enterprise Co., Ltd. 信音企業股份有限公司		
DECIMALS: ANGLES:		TITLE: HDD 7+15P CH 1.4 R/D 10U"AU		
X	:±0.5	X	:±2°	DWN: YUREN PART NO.2ST3Y7B-000111F
X.X	:±0.3	X.X	:±1°	CHKD: CERRY SCALE:2:1 UNIT: mm
X.XX	:±0.2	APVD: LIAO	SIZE: A3	SHEET:1 OF 1 REV:C
<b>CUSTOMER COPY</b>				

1 2 3 4 5 6 7 8