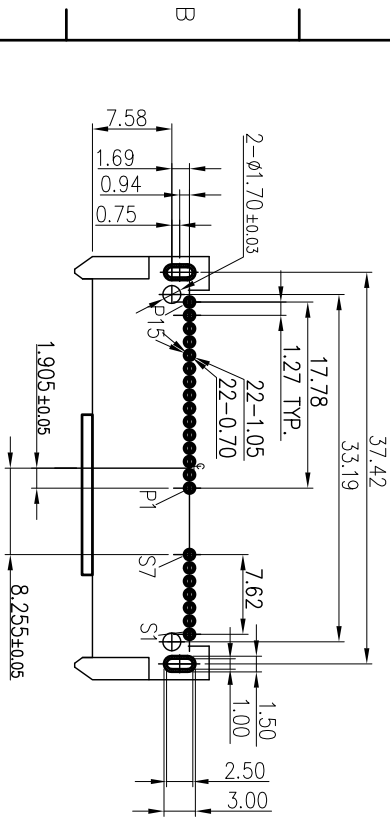
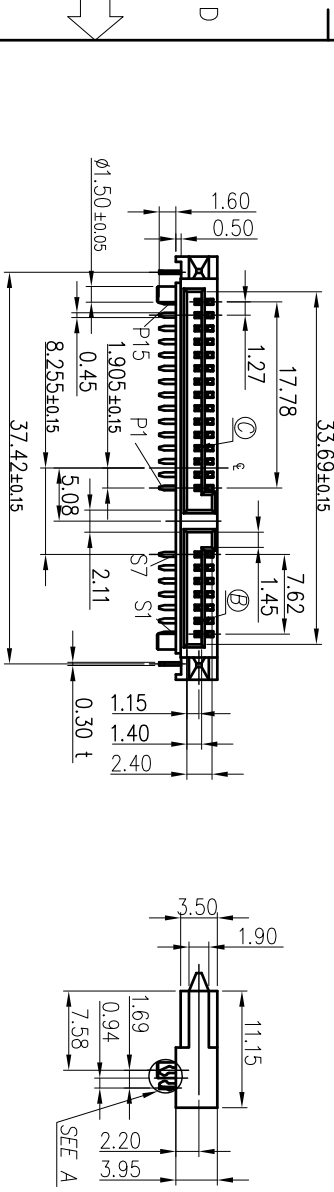
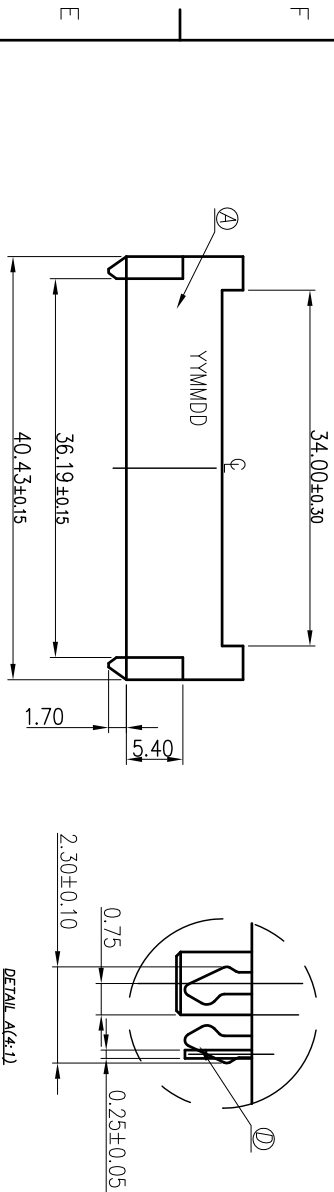
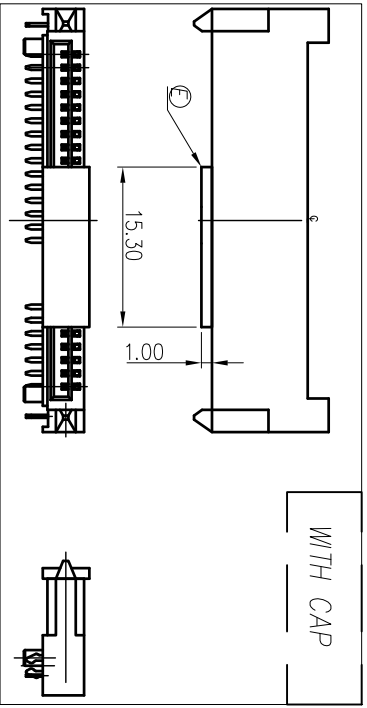


REV	ECN NO OR DESCRIPTION	REVISED	DATE
A	PDR NO.TT31118-4A	Edi.Zhou	20140626



RECOMMEND PCB LAYOUT (TOP VIEW)
T=1.20, TOLERANCE: ±0.05

- SPECIFICATIONS:
- ELECTRICAL CHARACTERISTICS:
 - CONTACT RESISTANCE: 30MΩ MAX (INITIAL)
 - DIELECTRIC WITHSTANDING VOLTAGE: 500V AC FOR ONE MINUTE
 - INSULATION RESISTANCE: 1000MΩ MIN. MEASURED BY 500 VDC
 - MECHANICAL CHARACTERISTICS:
 - INSERTION FORCE: 45N MAX.
 - WITHDRAWAL FORCE: 10N MIN.
 - LIFE TEST: 500 CYCLES MIN.
 - OTHER GENERAL SPEC. TO REFER "2ST3Y7C-000111F" SPEC."
 - TO CONFORM TO SINGATRON HAZARDOUS SUBSTANCE FREE SPECIFICATION
 - HALOGEN FREE PRODUCT IDENTIFICATION LOGO ON PACKAGING:
 - FOR REFLOW SOLDERING LEAD-FREE PROCESS.
 - PACKAGING: TAPE&REEL



NO	DESCRIPTION	QTY	MATERIAL	PLATING & COLOR
E	CAP	1	LCP +30% G.F HF, UL 94V-0	BLACK
D	FORK	2	BRASS T=0.3mm	MATTE-TIN, 80U" MIN PLATED OVER IN 50U" MIN.
C	TERMINAL 2	15	PHOSPHOR BRONZE T=0.2mm	RU 10U" ON CONTACT AREA, 80U" MIN.MATTE TIN PLATING ON SOLDERING PILL OVER IN 50U" MIN.
B	TERMINAL 1	7		
A	HOUSING	1	LCP +30% G.F HF, UL 94V-0	BLACK
NO	DESCRIPTION	QTY	MATERIAL	PLATING & COLOR
UNLESS OTHERWISE SPECIFIED TOLERANCES				
Singatron Enterprise Co., Ltd. 信亨企業股份有限公司				
DECIMALS: ANGLES:				
X	: ±0.5	X	: ±2°	
X.X	: ±0.3	X.X	: ±1°	
X.XX	: ±0.2			
TITLE: SATA 7+15 CH 2.2R/D 10U" AU				
DWN: Edi.Zhou PART NO.2ST3Y7C-000111F				
CHKD: Boye SCALE:2:1 UNIT: mm				
APVD: Boye SIZE: A3 SHEET: 1 OF 1 REV:A				
CUSTOMER COPY				