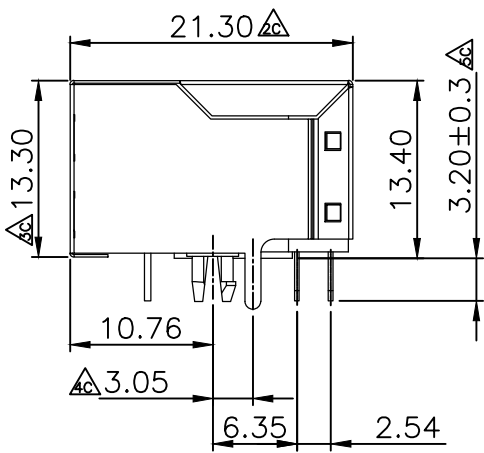
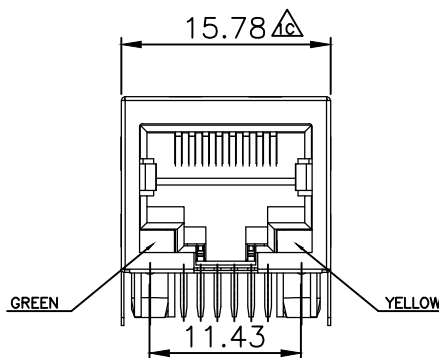
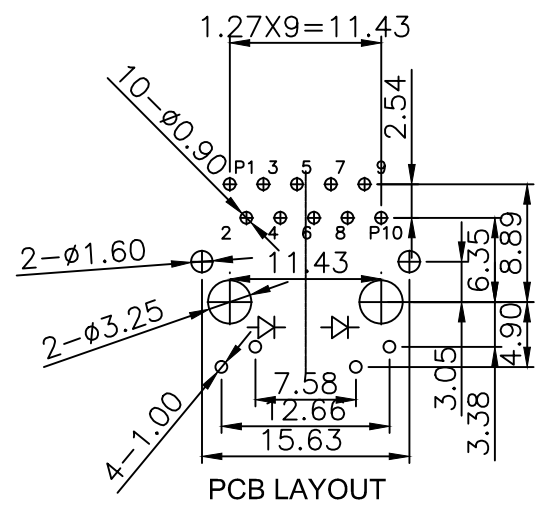
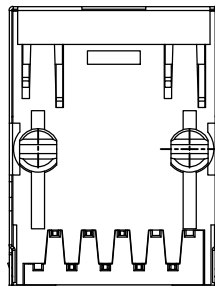


1 2 3 4 5 6

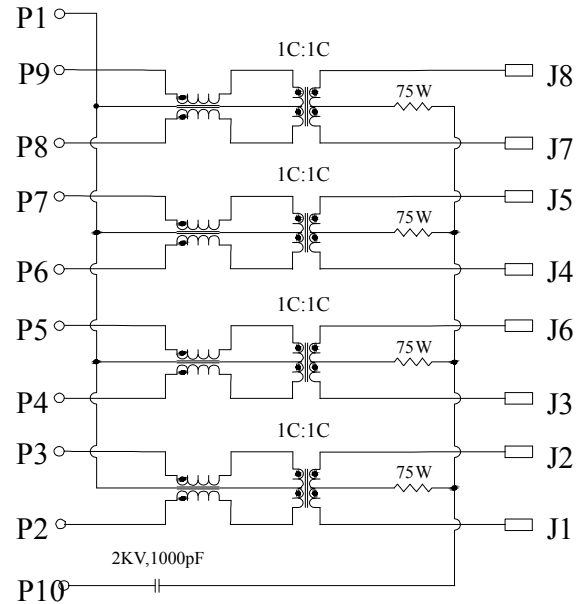
A



B



MATERIALS:
 PLASTIC HOUSING: HIGH TEMP THERMOPLASTIC
 FLAMMABILITY RATING UL 94V-0.
 CONTACTS: PHOSPHOR BRONZE
 PLATING: GOLD PLATING OVER NICKEL IN CONTACT.
 TIN PLATING OVER NICKEL IN SOLDER AREA.
 SHIELD: BRASS PLATING NICKEL ALLOY.



JC-15

Electrical:

- 1.Voltage Rating:125 Vac Rms.
- 2.Current Rating:1.5 Amp.
- 3.Contact Resistance:40 Milliohms Max.
- 4.Insulation Resistance:1000 Megohms Min @500 Vdc.
- 5.Dielectric Strength:1000 Vac Rms 60Hz, 1Min.

Mechanical:

- 1.Operating:750 Cycles Min.

Environmental:

- 1.Storage:-40°C To +85°C.
- 2.Operion:-20°C To +75°C.

Mates With Modular Plug Conforming To FCC Part 68, Subpart F.

D

| | | | | | | |
|-----|-------------|-------------------|-------------|---------------------------|--------------------------|--|
| | | | | SINGATRON (U.S.A.) | | |
| | | UNIT | SCALE | SHEET | TITLE : | |
| | | mm | 2/1 | 1 of 1 | 10 /100 /1000Base-T JACK | |
| | | DRAWN BY | APPROVED BY | | DRAW NO : | |
| | | Alan | Alan | | 2TJ007-15131213 | |
| | | 121109 | 121109 | | REV. A | |
| | | General tolerance | | | | |
| | | .xxx ±0.10 | | | | |
| | | .xx ±0.25 | | | | |
| | | .x ±0.38 | | | | |
| | | ±0.50 | | | | |
| | | ANG ±.3° | | | | |
| REV | DESCRIPTION | DATE | | | | |

1 2 3 4 5 6

A

B

C

D