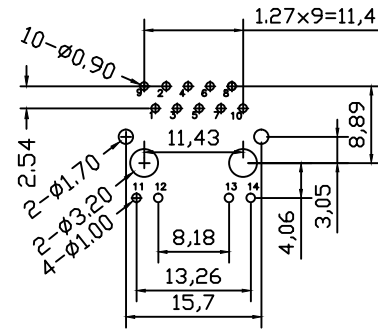
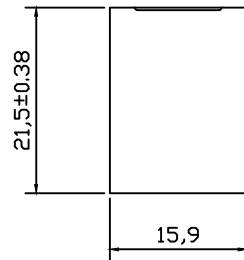
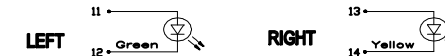
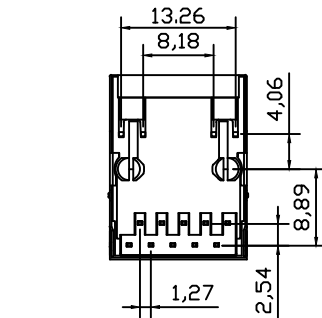
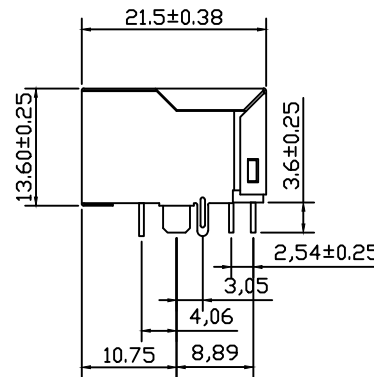
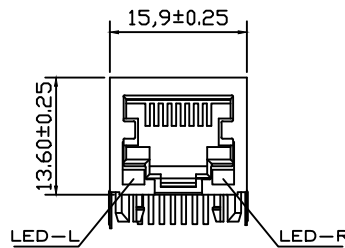




REVISION RECORD				
REV	ECO	DESCRIPTION	DRFT	CHKD



### PCB Layout



Standard LED	Wavelength	Forward*V(MAX)	TYP
Green	565nm	2.5v	2.2v
Yellow	565nm	2.5v	2.1v

With a forward current of 20mA

### NOTE:

- Shielded - 0.20mm THICKNESS BRASS C2680 H. PLATING NICKEL 30u"-50u".
- Housing- Standard Material Nylon66,Glass Filled Polyester UL94V-0 Standed Color Black.
- Insert Pin- Plastic:PBT UL94V-0,Standard Color Black. Pini:0.35mm Thickness Phos-Bronze C5210 EH. Plating:Nickel40u"~60u" for all and Sn 100% ,and Gold Plating.
- Contact Pin- Plastic:PBT,Glass Filled,UL94V-0, Standard Color Black. Pini:0.35mm SUS430. Plating:Nickel40u"~60u" for all and Sn 100%.

### Ordering Code:

XXXXXX XX XX X X X  
① ② ③ ④ ⑤ ⑥

- Series No.
- Transformer Type:
- Shield Type.
- R=標準料;H=高濕料.
- LED Code: See above table
- RJ45 Plating

DFTO K-Y	DATE: 2014/03/10
CHKD W-P-Huang	DATE: 2014/03/10
MFO W-P-Huang	DATE: 2014/03/10
APPVL	DATE:
股線角:	顏色:
MATERIAL:	
TREAT:	
處理:	
Q'TY:	
數量:	
SCALE:	1:1
比例:	1:1

SINGATRON (U.S.A.)			
TITLE	RJ45 1PORT TRANSFORMER CONNECTOR (10/100 Base-T PoE)		
名稱	RJ45 1PORT TRANSFORMER CONNECTOR (10/100 Base-T PoE)		
DRAWING NO.	2TJ131-1314RAF	SIZE	REV
圖檔編號		A3	A
DRAWING NO.		1 of 2	
客戶編號			

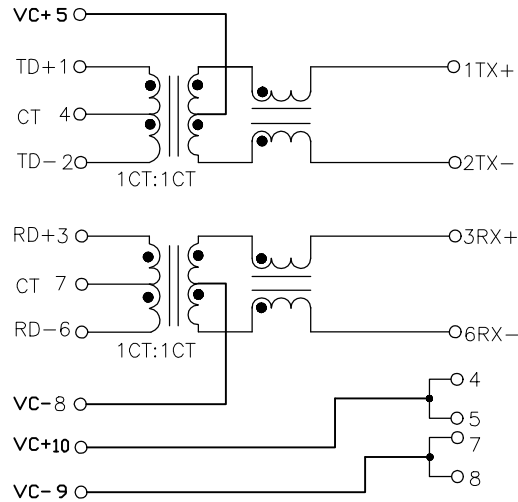
Code	RJ45 Plating			LED Code				
	Contact Area	Solder tail	Under plating	Left LED		Right LED		
F	3u" gold	150u" Tin Min.	50u" Nickel	+11,-12	-11,+12	+13,-14	-13,+14	
1	6u" gold			A	Green	-	Yellow	-
2	15u" gold			B	Yellow	-	Green	-
3	30u" gold			C	Green	-	Green	-
4	50u" gold			D	-	Green	-	Yellow
		E	-	Yellow	-	Green		
		F	Yellow	-	Orange	Green		
		G	Orange	Green	Yellow	-		
		H	Green	-	-	Yellow		
		0	-	-	-	-		

# Schematic:



REVISION RECORD				
REV	ECO	DESCRIPTION	DRFT	CHKD

## Type 13



Electrical Specifications @25°C								
Turns Ratio (±2%)		DCL (uH Min.) @100 KHz/0.1V with 8mA DC Bias	Cross talk (dB Min.)				HI-POT 1.0 mA (V)	
TX	RX		0.5-10 MHz	30 MHz	50 MHz	100 MHz	WITHOUT CAPACITANCE	WITH CAPACITANCE
1CT:1CT	1CT:1CT	350	-50	-40	-35	-30	1500 AC	2250 DC

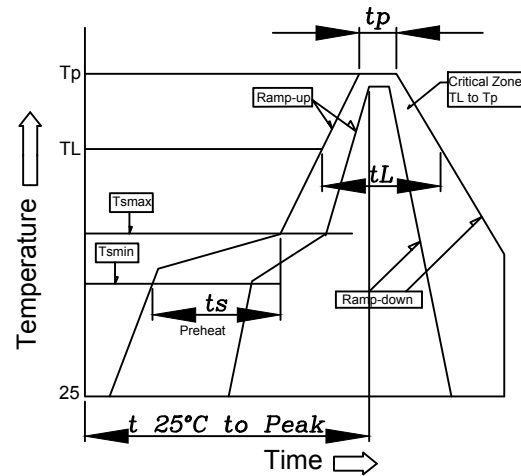
Continue							
Insertion Loss (dB Max.)		Return Loss (dB Min.) @ Load 100 OHM					CMR (dB Min.)
1-100 MHz	100-125 MHz (10/100/1000)	1-30 MHz	30-50 MHz	60 MHz	60-80 MHz	80-100 MHz (10/100/1000)	1-100 MHz
-1.0	-1.2	-18	-16	-14	-12	-10	-30
DC current							
350mA							

## Environmental:

- 1.Storage Temp: -40°C to +85°C.
- 2.Operating Temp: 0°C to +70°C.
- 3.MATES WITH MODULAR PLUG CONFORMING TO FCC PART 68,SUBPARTF.

## PROFILE OF WAVE SOLDER :

- 1.Peak temperature(Tp) :250°C±5°C.
- 2.Peak temperature(Tp) time: 5sec max.



Part Number:

2TJ131-1314RAF

- Plating: F:Gold 3u"
- With LED Type.
- Standard operation temp.
- Locate: rear of 3.05
- Without fingers.
- Transformer Type.
- Series No.

DFTO K-Y	DATE: 2014/03/10	SINGATRON (U.S.A.)
CHKD W-P-Huang	DATE: 2014/03/10	
MFO W-P-Huang	DATE: 2014/03/10	TITLE
APPVL	DATE:	名稱
股線角:	顏色:	RJ45 1PORT TRANSFORMER CONNECTOR (10/100 Base-T PoE)
MATERIAL:	TREAT:	DRAWING NO.
處理:	圖檔編號	2TJ131-1314RAF
Q'TY:	數量	DRAWING NO.
SCALE:	比例	1:1
客戶編號	客戶編號	2 of 2