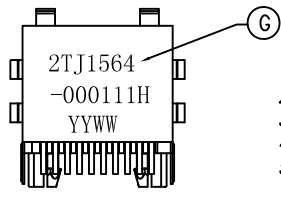
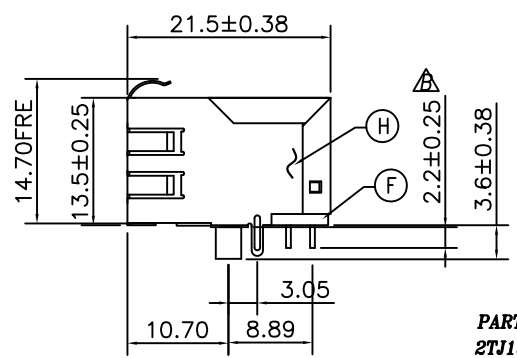
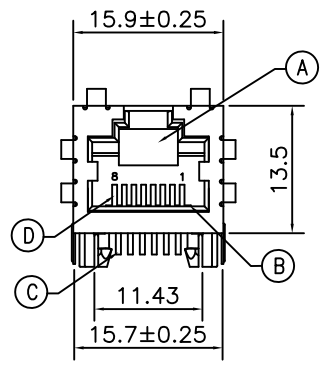
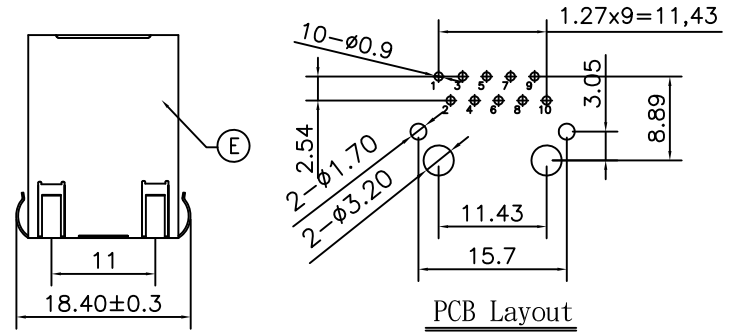


REV.	ECN NO OR DESCRIPTION	REVISED	DATE
A	PDR RELEASE	IVY-C	2012.11.09
B	ECN NO:L130002	Even	2013.04.26



SPECIFICATIONS:

- 1. ELECTRICAL CHARACTERISTICS:**
- 1-1. Turn Ratio(±2%):1:1
 - 1-2. INSERTION LOSS: -1.0dB MAX. @ 1-100MHz
 - 1-3. RETURN LOSS(dB MIN): -18dB @ 1~30 MHz.
-[18-20LOG(F/30MHz)]dB (30-60MHz), -12dB(60-80MHz)
 - 1-4. CROSS TALK(dB MIN): -50dB(0.5-1MHz),-50dB(10MHz)
-40dB (30MHz), -35dB (50MHz), -30dB (100MHz)
 - 1-5. COMMON MODE REJECTION(dB MIN): -50dB(0.3-1MHz),-47dB(10MHz)
-42dB (30MHz), -37dB (60MHz), -30dB (100MHz)
 - 1-6. DCMR(dB MIN):-50dB(0.3-1MHz),-50dB(10MHz)
-50dB (30MHz), -45dB (60MHz), -40dB (100MHz)
 - 1-7. HI-POT TEST: 1500Vrms/0.5mA/2Sec.
 - 1-8. PRIMARY INDUCTANCE: 350uH MIN @100KHz/0.1V, 8mA D.C.BIAS
 - 1-9. INSULATION RESISTANCE: 1000M OHMS MIN. @500V DC.
 - 1-10. DIELECTRIC WITHSTANDING VOLTAGE: 1500V AC FOR 1 MINUTE.
- 2. LIFE TEST: 750 CYCLES.**
- 3. OPERATING TEMPERATURE: 0°C TO +70°C.**
- 4. OTHER GENERAL SPEC. TO REFER "2TJ1564-000111H SPEC".**
- 5. TO CONFORM TO THE SINGATRON HAZARDOUS SUBSTANCE FREE SPEC.**
- 6. GREEN PRODUCT IDENTIFICATION LABEL ON PACKAGING: G.P. PASS**
- 7. PACKAGE: SEE "2TJ1564 SERIES" PACKAGE.**
- 8. FOR WAVE SOLDERING LEAD-FREE PROCESS.**
- 9. MATES WITH MODULAR PLUG CONFORMING TO FCC PART 68, SUBPART F.**

PART NO.
2TJ1564-000111H

LED OPTIONAL
0: W/O

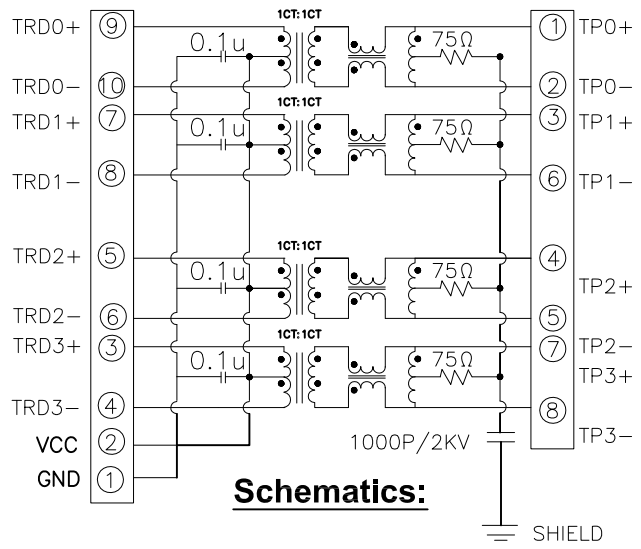
SUFFIX: HALOGEN

PACKAGE
1: TRAY

HOUSING COLOR
1: BLACK

CONTACT PLATING
1: MATING AREA: GOLD FLASH
SOLDER AREA: TIN

Type G25



Schematics:

G	INK	-		BLACK
F	PLATE	1	THERMOPLASTIC, UL 94V-0	BLACK
E	SHELL	1	COPPER ALLOY	NICKEL
D	OUTPUT CONTACT	8	COPPER ALLOY	GOLD FLASH
C	INPUT CONTACT	10	COPPER ALLOY	TIN PLATED
B	INSERT	1	THERMOPLASTIC, UL 94V-0	BLACK
A	HOUSING	1	THERMOPLASTIC, UL 94V-0	BLACK
NO	DESCRIPTION	QTY	MATERIAL	PLATING & COLOR
UNLESS OTHERWISE SPECIFIED TOLERANCES		Singatron Enterprise Co., Ltd. 信音企業股份有限公司		
DECIMALS:	ANGLES:	TITLE	RJ45 JACK, W/TRANSFORMER, W/O LED, DIP TYPE	
X :±0.5	X :±2°	DWN	Even 2013.04.26	PART NO. 2TJ1564-000111H
X.X :±0.3	X.X :±1°	CHKD	SCALE:N/A	UNIT: mm
X.XX :±0.2		APVD	ANGEL/2013.04.26	SIZE: A3 SHEET:1 OF 1 REV: B
CUSTOMER COPY				