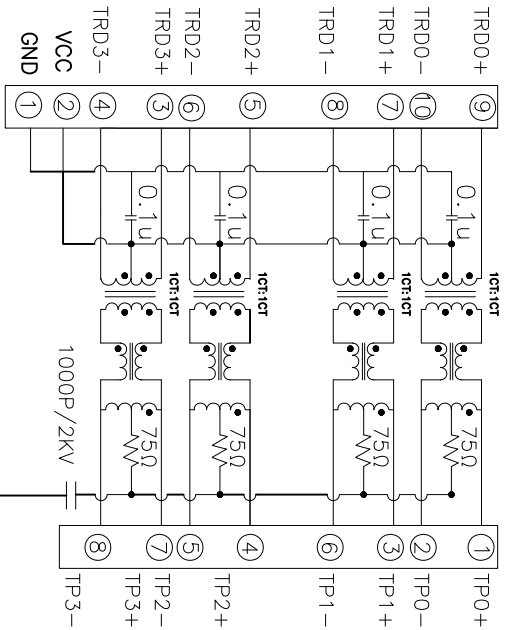


PART NO.
2TJ1564-100111H
LED OPTIONAL
I: L:GREEN/YELLOW &
R:GREEN
SUFFIX: HALOGEN
PACKAGE I: TRAY
HOUSING COLOR I: BLACK
CONTACT PLATING I: MATING AREA: GOLD FLASH
SOLDER AREA: TIN

SPECIFICATIONS:

1. ELECTRICAL CHARACTERISTICS:
- 1-1. Turn Ratio(±2%):1:1
 - 1-2. INSERTION LOSS: -1.0dB MAX. @ 1-100MHz
 - 1-3. RETURN LOSS(dB MIN): -18dB @ 1~30 MHz, -18-20LOG(F/30MHz)(dB (30-60MHz), -12dB(60-80MHz)
 - 1-4. CROSS TALK(dB MIN): -50dB(0.5-1MHz), -50dB(10MHz) -40dB (30MHz), -35dB (50MHz), -30dB (100MHz)
 - 1-5. COMMON MODE REJECTION(dB MIN): -50dB(0.3-1MHz), -47dB(10MHz) -42dB (30MHz), -37dB (60MHz), -30dB (100MHz)
 - 1-6. DCMR(dB MIN): -50dB(0.3-1MHz), -50dB(10MHz) -50dB (30MHz), -45dB (60MHz), -40dB (100MHz)
 - 1-7. HI-POT TEST: 1500Vrms/0.5mA/2Sec.
 - 1-8. PRIMARY INDUCTANCE: 350uH MIN @100KHz/0.1V, 8mA D.C.BIAS
 - 1-9. INSULATION RESISTANCE: 1000M OHMS MIN. @500V DC.
 - 1-10. DIELECTRIC WITHSTANDING VOLTAGE: 1500V AC FOR 1 MINUTE.
 2. LIFE TEST: 750 CYCLES.
 3. OPERATING TEMPERATURE: 0°C TO +70°C.
 4. OTHER GENERAL SPEC. TO REFER "2TJ1564-100111H SPEC".
 5. TO CONFORM TO THE SINGATRON HAZARDOUS SUBSTANCE FREE SPEC.
 6. GREEN PRODUCT IDENTIFICATION LABEL ON PACKAGING: **G.P. PASS**
 7. PACKAGE: SEE "2TJ1564 SERIES" PACKAGE.
 8. FOR WAVE SOLDERING LEAD-FREE PROCESS.
 9. MATES WITH MODULAR PLUG CONFORMING TO FCC PART 68, SUBPART F.

REV.	ECN NO.	OR DESCRIPTION	REVISED	DATE
A		PDR RELEASE	NY-C	2012.11.09
B	ECN NO:120182		NY-C	2013.02.19



Schematics:

SHIELD

NO	DESCRIPTION	QTY	MATERIAL	PLATING & COLOR
A	HOUSING	1	THERMOPLASTIC UL 94V-0	BLACK
B	INSERT	1	THERMOPLASTIC UL 94V-0	BLACK
C	INPUT CONTACT	10	COPPER ALLOY	TIN PLATED
D	OUTPUT CONTACT	8	COPPER ALLOY	GOLD FLASH
E	SHELL	1	COPPER ALLOY	NICKEL
F	PLATE	1	THERMOPLASTIC UL 94V-0	BLACK
G	INK	-		BLACK
H	LED	2	LED	GREEN/YELLOW, GREEN

UNLESS OTHERWISE SPECIFIED TOLERANCES

DECIMALS: ANGLES:

X :±0.5 X :±2
X.X :±0.3 X.X :±1'
X.XX :±0.2

Singatron Enterprise Co., Ltd.
信音企業股份有限公司

TITLE: R445 JACK W/TRANSFORMER W/LED, DIP TYPE
DWG NO: 20120219 PART NO: 2TJ1564-100111H
CHKD: 20120219 SCALE: N/A UNIT: mm
APVD: 20120219 SIZE: A3 SHEET: 1 OF 1 REV: B

CUSTOMER COPY