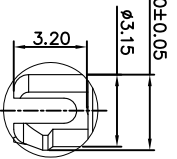
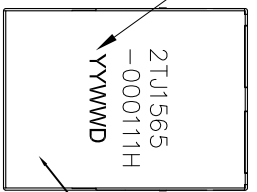


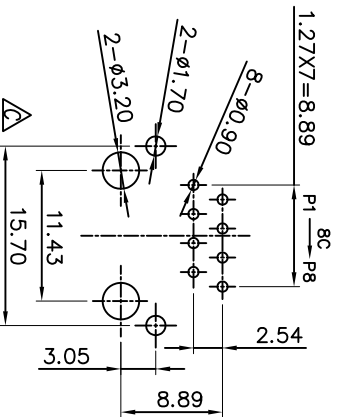
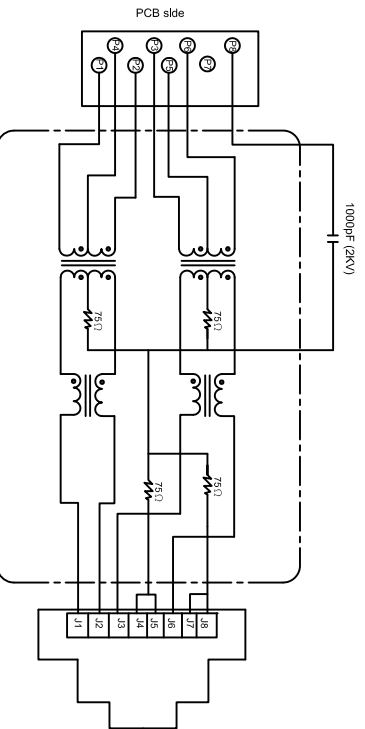
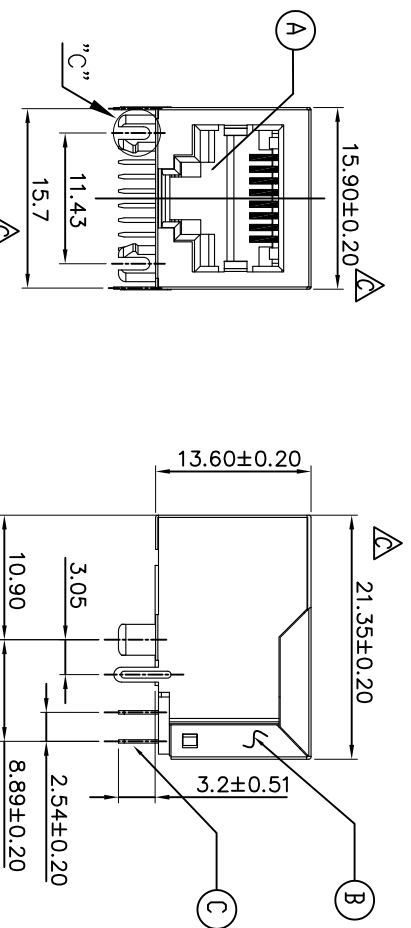
REV/ECN NO OR DESCRIPTION	REVISED	DATE
A PDR RELEASE	IV-C	2011.12.15
B ECN NO:L120066	IV-C	2012.06.05
C ECN NO:L150062	IV-C	2015.06.01

Specifications:

1. Isolation Voltage: 1500Vrms(Input To Output)
2. Rise Time($10-90\%$): 2.5ns Typical
3. DCL: 350uH Minimum @ 100KHz 8mADC
4. Insertion Loss: 1.0 dB Max. @ 100KHz-100 MHz
5. Return Loss: **18dB Min. @ 1-30MHz**
-15dB Min. @ 40-50MHz
-10dB Min. @ 60-80MHz
6. Cross Talk: -38dB Typ. @ 100KHz-100MHz
7. Operation Temperature : 0°C To +70°C
8. Turn Ratio: $R:X=1CT:1CT(\pm 3\%)$ TX=1CT:1CT($\pm 3\%$)
C W/W: 20pF Typ @ 1MHz 100mV
9. Leakage Inductance(TX&RX): 0.4 uH Max.
10. CMMR: -40dB TYP. @ 100KHz-100MHz
11. Operating Life: 750 Cycles Min.
12. Other general spec. TD refer "2TJ1565 series spec".
13. To conform to SINGATRON hazardous substance free spec.
14. Green product identification label on packing: **[G.P. PASS]**
15. Packing: see "2TJ1565 series" packing.
16. Wave Soldering Temperature: 230~250°C (3~5 Seconds)
17. Mates With Modular Plug Conforming To FCC Part 68, Subpart F.



2:1



PCB Layout: T=1.60mm
Component Side Shown
Tolerance: ±0.10mm

PART NO.
2TJ1565-000111H

- SUFFIX: HALOGEN
- PACKAGE
- 1: TRAY
- HOUSING COLOR
- 1: BLACK
- CONTACT PLATING
- 1: GOLD FLASH ON CONTACT AREA;
TIN PLATED ON SOLDER AREA

E	INK	1	C2680	BLACK COLOR
D	SHELL	1	C2680	NICKEL PLATING
C	CONTACT	8	CS210	SEE PART NO.
B	INSERT	1	THERMOPLASTIC, UL 94V-0	BLACK COLOR
A	HOUSING	1	THERMOPLASTIC, UL 94V-0	BLACK COLOR
NO	DESCRIPTION	QTY	MATERIAL	PLATING & COLOR

UNLESS OTHERWISE SPECIFIED TOLERANCES

Singatron Enterprise Co., Ltd.
信音企業股份有限公司

TITLE R145 1*1 w/ Transformer, w/o LED

DWN W-C 2015/6/01 PART NO. 2TJ1565-000111H

CHKD WCB 2015/6/01 SCALE: N/A UNIT: mm

APVD WCB 2015/6/01 SIZE: A3 SHEET: 1 OF 1 REV: C

CUSTOMER COPY