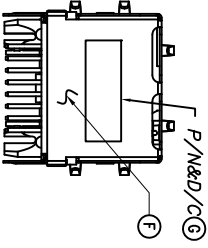
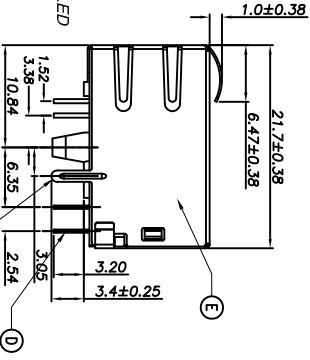
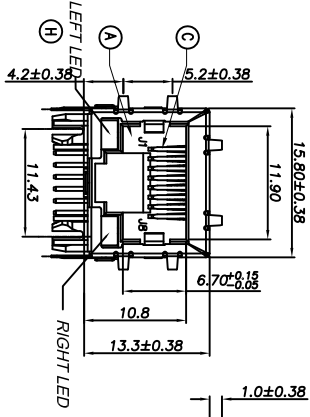


LED CODE	LEFT LED	RIGHT LED
0	-14, L3 GREEN	-11, L2 YELLOW



pre-soldering
Leg Thickness 0.35mm MAX.

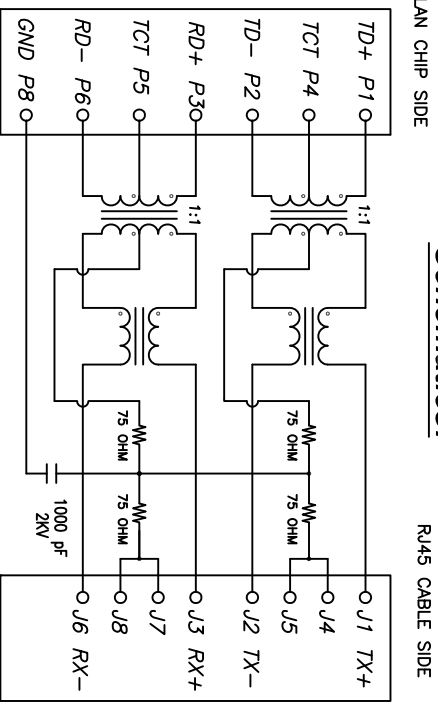
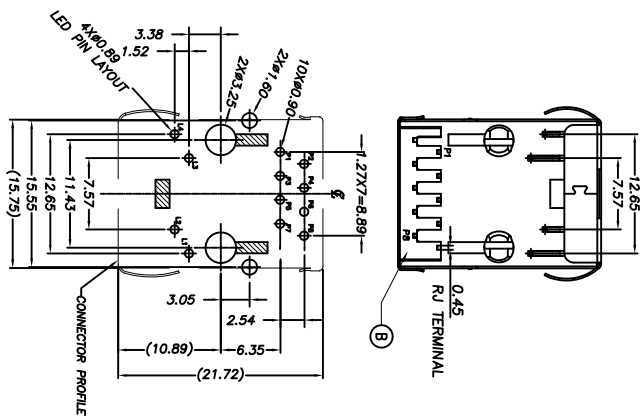
- SPECIFICATIONS:**
- ELECTRICAL CHARACTERISTICS:
Test Notes: (25±5°C)
1-1. TR: (100KHz, 0.1V); Pins: (P1-P2): (J1-J2)=1:1±3%
Pins: (P3-P6): (J3-J6)=1:1±3%
1-2.LX: (100KHz, 100mV, 8mA, DC Bias)
Pins: (P1-P2), (P3-P6)=350uH Minimum
1-3.DCR: Pins: (J1-J2), (J3-J6)=1.2 Ohm Maximum
1-4.HIPOT: Pins: (P1,P2) to (J1,J2)=1500VAC For 60 Seconds
Pins: (P3,P6) to (J3,J6)=1500VAC For 60 Seconds
1-5.INSERTION LOSS:
-1dB Maximum At 1MHz To 100MHz;
1-6.RETURN LOSS:
-18dB Minimum At 1MHz To 30MHz;
-16dB Minimum At 30MHz To 60MHz;
-12dB Minimum At 60MHz To 80MHz;
1-7.GROSS TALK: -30dB Minimum At 1MHz To 100MHz
1-8.COMMON TO COMMON MODE REJECTION: -30dB Minimum At 1MHz To 100MHz
 - LIFE TEST: 750 CYCLES.
 - OPERATING TEMPERATURE: -40°C TO +85°C.
 - OTHER GENERAL SPEC: TO REFER "27J1575 SERIES SPEC".
 - TO CONFORM TO THE SINGATRON HAZARDOUS SUBSTANCE FREE SPEC.
 - GREEN PRODUCT IDENTIFICATION LABEL ON PACKAGING: **G-P PASS**
 - PACKAGE: SEE "27J1575 SERIES" PACKAGE.
 - FOR WAVE SOLDERING LEAD-FREE PROCESS.
 - MATES WITH MODULAR PLUG CONFORMING TO FCC PART 69, SUBPART F.

PART NO.

27J1575-000111H

LED CODE : L:GREEN ; R:YELLOW
SUFFIX: HALOGEN
PACKAGE : TRAY
HOUSING COLOR : BLACK
CONTACT PLATING : TIN PLATED ON SOLDER AREA

1: 15u" Au PLATED ON CONTACT AREA
TIN PLATED ON SOLDER AREA



Schematics:

REV	ECN NO	OR DESCRIPTION	REVISED	DATE
A	PDR RELEASE		IV-C	2013.09.30

H	LED	2	LED	YELLOW/GREEN
G	INK	-	INK	BLACK
F	PCB	1		
E	SHELL	1	STAINLESS STEEL	NICKEL PLATED OVERALL, TIN PLATED ON SOLDER AREA
D	INPUT CONTACT	8	COPPER ALLOY	TIN PLATED
C	OUTPUT CONTACT	8	COPPER ALLOY	SEE PART NO.
B	BASE	1	HIGH TEMP THERMOPLASTIC, UL 94V-0	BLACK COLOR
A	HOUSING	1	HIGH TEMP THERMOPLASTIC, UL 94V-0	BLACK COLOR
NO	DESCRIPTION	QTY	MATERIAL	PLATING & COLOR

UNLESS OTHERWISE SPECIFIED TOLERANCES

DECIMALS: ANGLES: TITLE: RJ45 JACK, W/LED, W/MAGNETIC, W/SHIELD, R/A, DIP TYPE
DWN IN-C-2013.09.30 PART NO. 27J1575-000111H
CHKD SCALE: 1.8/1 UNIT: mm
APVD AME/2013.09.30 SIZE: A3 SHEET: 1 OF 1 REV: A

Singatron Enterprise Co., Ltd.
信音企業股份有限公司

CUSTOMER COPY

RECOMMENDED PCB LAYOUT
COMPONENT TOLERANCE ARE ±0.05mm
UNLESS OTHERWISE SPECIFIED

