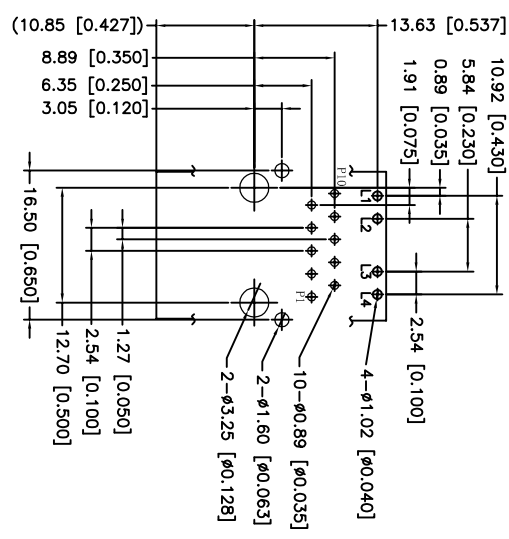
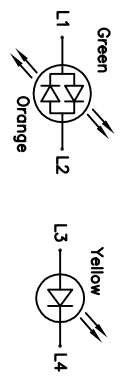
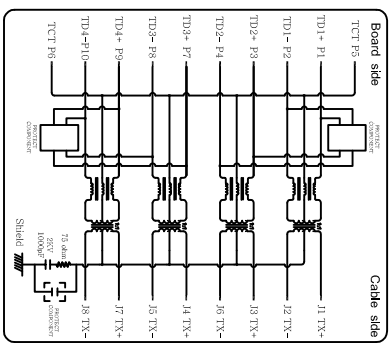


Emitting Color	λp (nm)	Vf @ If=20mA	Ir @ Vf=5V
Green	565	1.7V~2.6V	10.0A max.
Yellow	585	1.7V~2.6V	10.0A max.
Orange	610	1.7V~2.6V	10.0A max.



RECOMMENDED PCB LAYOUT
(COMPONENT SIDE VIEW)



REV.	ECN NO OR DESCRIPTION	REVISION	DATE
A	PDR RELEASE	EVEN	2017.11.23

- SPECIFICATION:**
- TO CONFORM TO SINGATRON HAZARDOUS SUBSTANCE FREE SPEC.
 - GREEN PRODUCT IDENTIFICATION LABEL ON PACKAGING:
 - PACKAGE: SEE "211576-000311F" PACKAGE.
 - FOR WAVE SOLDERING LEAD-FREE PROCESS.
 - MATES WITH MODULAR PLUG CONFORMING TO FCC PART 68, SUBPART F.
 - ELECTRICAL RESISTANCE: 500 MOHMS MIN
 - INSULATION WITHSTANDING VOLTAGE: 1500 VAC FOR 1 MINUTE
 - DIELECTRIC TEST RATING
 - DURABILITY TEST RATING
 - INSERTION FORCE WITH THE LATCH DEPRESSED: 22N MAX
 - REMOVAL FORCE WITH THE LATCH DEPRESSED: 44N MAX
 - DURABILITY: 750 CYCLES
 - OPERATING AND STORAGE TEMPERATURE
 - OPERATING TEMPERATURE: 0°C TO +70°C
 - STORAGE TEMPERATURE: -40°C TO +85°C
- ELECTRICAL CHARACTERISTICS:**
- INSERTION LOSS:
 - 1-100 MHz: -1.0dB MAX.
 - 9. SURGE PROTECTION:
 - Line to line: 2kV
 - Line to ground: 4kV
 - RETURN LOSS(LOAD 100Ω):
 - 1-30 MHz: -18dB MIN
 - 30-60 MHz: -16dB MIN
 - 60-80 MHz: -12dB MIN
 - 80-100 MHz: -10dB MIN
 - COMMON MODE REFLECTION:
 - 1-100 MHz: -30dB MIN
 - GROSS TALK:
 - 1-100 MHz: -30dB MIN
 - INDUCTANCE @ 100KHz, 0.1V, 8mA DC BIAS:
 - (P2-P3): (P4-P5), (P6-P7), (P8-P9): 350 nH MIN
 - DCR:
 - (J1-J2), (J3-J4), (J4-J5), (J7-J8): 1.2Ω MAX
 - HI-POUT TEST:
 - POB SIDE TO CABLE SIDE: 1500WAC 60S OR 2250WAC 60S
 - TURNS RATION 100KHz:
 - (P2-P3): (J1-J2) = 1:1 ±3%
 - (P4-P5): (J3-J4) = 1:1 ±3%
 - (P6-P7): (J4-J5) = 1:1 ±3%
 - (P8-P9): (J7-J8) = 1:1 ±3%
9. OTHER GENERAL SPEC. TO REFER "211576-000311F" SPEC.

I	PCB	1	LCP UL 94V-0	BLACK
H	CASE	1	LCP UL 94V-0	BLACK
G	LED	-	LED	GREEN/ORANGE/YELLOW
F	INK	1	SUS304	BLACK
E	SHELL	2	SUS304	TIN PLATED ON SOLDER AREA
D	INPUT CONTACT	8	C2680	100μM TIN, 50μM NICKEL OVERPL
C	OUTPUT CONTACT	10	C5210	SEE PART NO.
B	COVER	1	LCP UL 94V-0	BLACK COLOR
A	HOUSING	1	LCP UL 94V-0	BLACK
NO	DESCRIPTION	QTY	MATERIAL	PLATING & COLOR

UNLESS OTHERWISE SPECIFIED TOLERANCES

DECIMALS: ANGLES:

X : ±0.5 X : ±2°
 X.X : ±0.3 X.X : ±1°
 X.XX : ±0.2 X.XX : ±0.2

Singaton Enterprise Co., Ltd.
 信音企業股份有限公司

TITLE: R/A5 JACK, W/LED, W/MANUENG, W/SHIELD, R/A DFP TYPE
 DWG: R/R1 20171123 PART NO. 211576-000311F
 CHKD: M/R120171123 SCALE: 1:1 UNIT: mm
 APVD: M/R120171123 SIZE: A3 SHEET: 1 OF 1 REV: A

PART NO. 211576-000311F
 SUBPROCESSING FREE
 PACKAGE 1: TRAY
 HOUSING COLOR 1: BLACK
 CONTACT PLATING 3: 15μ" GOLD ON CONTACT AREA, 100μ" MIN. TIN PLATED ON SOLDER AREA, 50μ" MIN NICKEL OVERALL

