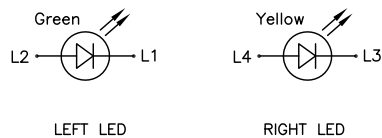
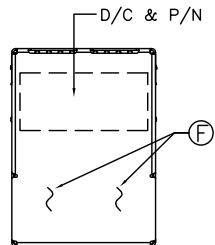


REV.	ECN NO OR DESCRIPTION	REVISED	DATE
A	PDR RELEASE	IVY-C	2014.05.12
B	ECN NO: L202005-005	EVEN	2020.06.19



PART NO.
2TJ1582-000111F

LED OPTIONAL
0: L: GREEN / R: YELLOW

SUFFIX: HALOGEN FREE
PACKAGE
1: TRAY
HOUSING COLOR
1: BLACK
CONTACT PLATING
1: 15u" Au PLATED ON CONTACT AREA
100u" MIN. TIN PLATED ON SOLDER AREA.
30u" MIN. NICKEL UNDERPLATED OVERALL

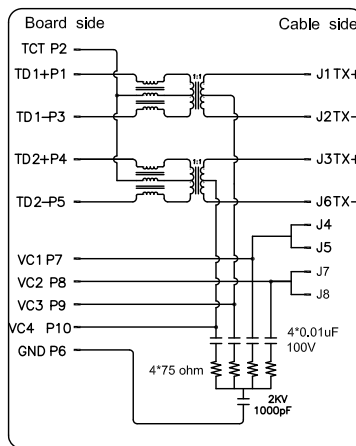
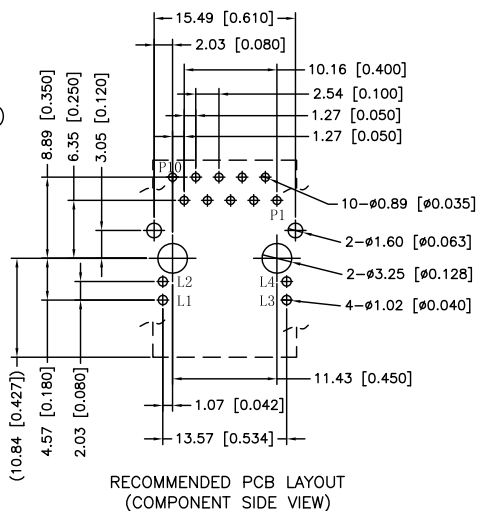
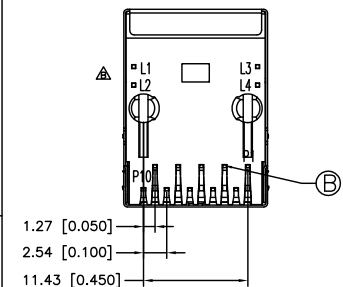
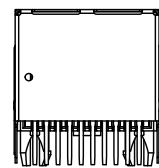
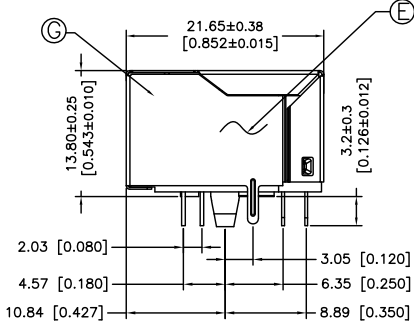
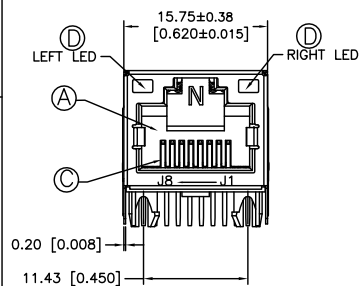
Emitting Color	λp (nm)	Vf @If=20mA	Ir @Vr=5V
Green	565	1.7V~2.6V	10μA max.
Yellow	585	1.7V~2.6V	10μA max.

- SPECIFICATION:**
- TO CONFORM TO SINGATRON HAZARDOUS SUBSTANCE FREE SPEC.
 - HALOGEN FREE PRODUCT IDENTIFICATION LABEL ON PACKAGING:
 - PACKAGE: SEE "2TJ1582 SERIES" PACKAGE.
 - FOR WAVE SOLDERING LEAD-FREE PROCESS.
 - MATES WITH MODULAR PLUG CONFORMING TO FCC PART 68, SUBPART F.
 - ELECTRICAL
 - INSULATION RESISTANCE : 500 MOHMS MIN
 - DIELECTRIC WITHSTANDING VOLTAGE : 1500 VAC FOR 1 MINUTE
 - DURABILITY TEST RATING
 - INSERTION FORCE WITH THE LATCH DEPRESSED :21N MAX
 - REMOVAL FORCE WITH THE LATCH DEPRESSED :44N MAX
 - DURABILITY :5000 CYCLES

- OPERATING AND STORAGE TEMPERATURE
 - OPERATING TEMPERATURE : -40°C TO +85°C
 - STORAGE TEMPERATURE : -40°C TO +85°C

ELECTRICAL CHARACTERISTICS :

- INSERTION LOSS :
 - 1~100 MHz -1.0dB MAX.
 - RETURN LOSS(LOAD 100Ω) :
 - 1~30 MHz -18dB MIN
 - 30~60 MHz -14dB MIN
 - 60~80 MHz -10dB MIN
 - COMMON MODE REJECTION
 - 1~100 MHz -30dB MIN
 - CROSS TALK
 - 1~100 MHz -30dB MIN
 - INDUCTANCE @ 100KHz, 0.1V, 8mA DC BIAS
 - (P1-P3),(P4-P5) : 350 uH MIN
 - DCR
 - (J1-J2),(J3-J6) : 1.2 Ohm MAX
 - HI-POT TEST
 - PCB SIDE(P1-P5) TO CABLE SIDE(J1,J2,J3,J6) : 1200VDC 60S
 - TURNS RATION 100KHz
 - (P1-P3) : (J1-J2) = 1:1 ±%5
 - (P4-P5) : (J3-J6) = 1:1 ±%5
 - POE CURRENT
 - 350mA MAX
9. OTHER GENERAL SPEC. TO REFER "2TJ1582 SERIES SPEC".



NO	DESCRIPTION	QTY	MATERIAL	PLATING & COLOR
G	OUTER SHELL	1	SUS 304	NICKEL PLATED OVERALL. TIN PLATED ON SOLDER AREA
F	CASE	2	LCP UL 94V-0	BLACK
E	PCB	1		
D	LED	2	LED	GREEN/ YELLOW
C	OUTPUT CONTACT	8	C5210	SEE PART NO.
B	INPUT CONTACT	10	C2680	TIN PLATED
A	HOUSING	1	LCP UL 94V-0	BLACK

UNLESS OTHERWISE SPECIFIED TOLERANCES		Singatron Enterprise Co., Ltd. 信音企業股份有限公司			
DECIMALS:	ANGLES:	TITLE	RJ45, W/LED, W/MAGNETIC, R/A, W/SHIELD, DIP TYPE		
X :±0.5	X :±2°	DWN	EVEN 2020.06.19 PART NO. 2TJ1582-000111F		
X.X :±0.3	X.X :±1°	CHKD	SCALE2.5:1	UNIT: mm	
X.XX :±0.2		APVD	ANGEL/2020.06.19	SIZE: A3	SHEET:1 OF 1 REV: B
CUSTOMER COPY					