

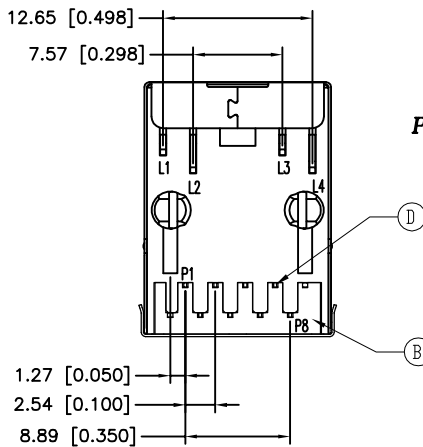
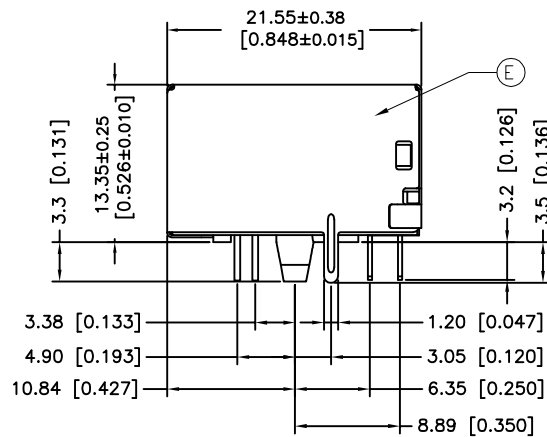
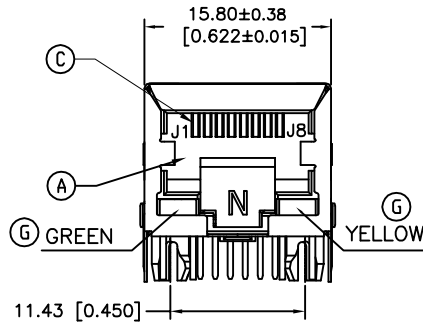
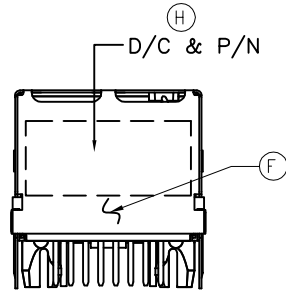
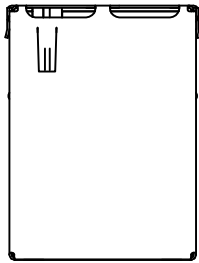
REV.	ECN NO OR DESCRIPTION	REVISED	DATE
A	PDR RELEASE	IVY-C	2015.04.07

ELECTRICAL CHARACTERISTICS :

- INSERTION LOSS :
 - 1~100 MHz -1.0dB MAX.
- RETURN LOSS(LOAD 100Ω) :
 - 1~30 MHz -18dB MIN
 - 30~60 MHz -16dB MIN
 - 60~80 MHz -12dB MIN
- COMMON MODE REJECTION
 - 1~100 MHz -30dB MIN
- CROSS TALK
 - 1~100 MHz -30dB MIN
- INDUCTANCE @ 100KHz, 0.1V, 8mA DC BIAS
 - (P1-P2),(P7-P8) : 350 uH MIN
- DCR
 - (J1-J2),(J3-J6) : 1.2 Ohm MAX
- HI-POT TEST
 - BOARD SIDE TO CABLE SIDE : 1500VAC 60S OR 2250VDC 60S
- TURNS RATION 100KHz
 - (P1-P2) : (J1-J2) = 1:1 ±%5
 - (P7-P8) : (J3-J6) = 1:1 ±%5

SPECIFICATION:

- TO CONFORM TO SINGATRON HAZARDOUS SUBSTANCE FREE SPEC.
- GREEN PRODUCT IDENTIFICATION LABEL ON PACKAGING: **G.P. PASS**
- PACKAGE: SEE "2TJ1596 SERIES" PACKAGE.
- FOR WAVE SOLDERING LEAD-FREE PROCESS.
- MATES WITH MODULAR PLUG CONFORMING TO FCC PART 68, SUBPART F.
- ELECTRICAL
 - INSULATION RESISTANCE : 500 MOHMS MIN
 - DIELECTRIC WITHSTANDING VOLTAGE : 1500 VAC FOR 1 MINUTE
- DURABILITY TEST RATING
 - INSERTION FORCE WITH THE LATCH DEPRESSED : 22N MAX
 - REMOVAL FORCE WITH THE LATCH DEPRESSED : 44N MAX
 - DURABILITY : 750 CYCLES
- OPERATING AND STORAGE TEMPERATURE
 - OPERATING TEMPERATURE : 0°C TO +70°C
 - STORAGE TEMPERATURE : -40°C TO +85°C
- OTHER GENERAL SPEC. TO REFER "2TJ1596 SERIES SPEC".



PART NO.

2TJ1596-000111H

SUFFIX: HALOGEN

PACKAGE

1: TRAY

HOUSING COLOR

1: BLACK

CONTACT PLATING

1: GOLD FLASH ON CONTACT AREA;
100U" MIN TIN PLATING ON SOLDER AREA
50~100u" NICKEL UNDERPLATED OVERALL

H	INK	-	INK	BLACK
G	LED	2	LED	GREEN/YELLOW
F	PCB	1		
E	SHELL	1	SUS304	TIN PLATED ON SOLDER AREA
D	INPUT CONTACT	8	C2680	TIN PLATED
C	OUTPUT CONTACT	8	C5210	SEE PART NO.
B	BASE	1	LCP UL 94V-0	BLACK COLOR
A	HOUSING	1	PA10T UL 94V-0	BLACK COLOR
NO	DESCRIPTION	QTY	MATERIAL	PLATING & COLOR

UNLESS OTHERWISE SPECIFIED TOLERANCES

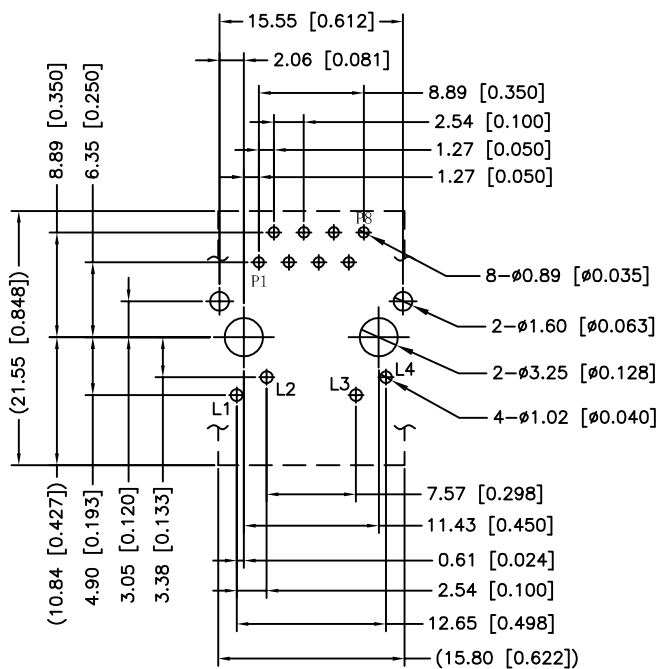
Singatron Enterprise Co., Ltd.
信音企業股份有限公司

DECIMALS: ANGLES:
X ±0.5 X ±2°
X.X ±0.3 X.X ±1°
X.XX ±0.2

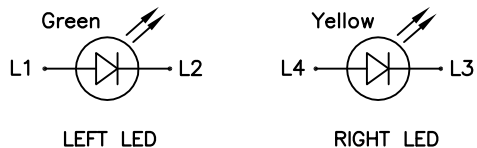
TITLE	RJ45 JACK, W/MAGNETIC, W/SHIELD, R/A, DIP TYPE		
DWN	IV-C 2015.04.07	PART NO.	2TJ1596-000111H
CHKD	ANGELA2015.04.07	SCALE:	N/A UNIT: mm
APVD	ANGELA2015.04.07	SIZE:	A3 SHEET: 1 OF 2 REV: A

CUSTOMER COPY

REV.	ECN NO OR DESCRIPTION	REVISED	DATE
A	PDR RELEASE	IVY-C	2015.04.07



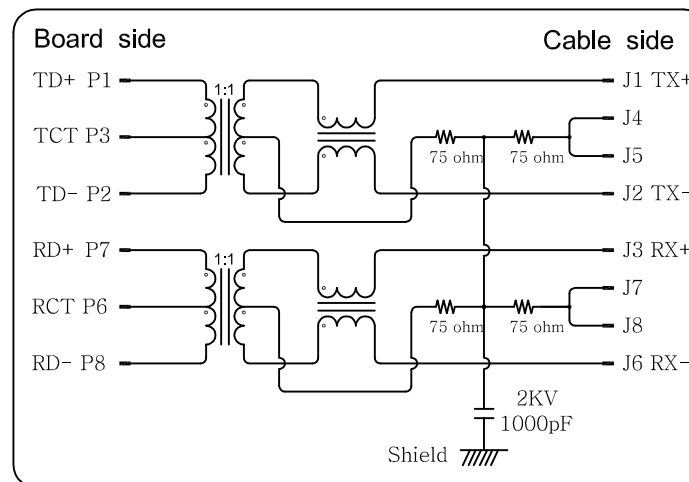
RECOMMENDED PCB LAYOUT
(COMPONENT SIDE VIEW)



Emitting Color	λ_p (nm)	$V_f @ I_f=20mA$	$I_r @ V_r=5V$
Green	565	1.7V~2.6V	10 μ A max.
Yellow	585	1.7V~2.6V	10 μ A max.

SCHEMATIC:

-10/100 BASE-T
-WITH LED



UNLESS OTHERWISE
SPECIFIED TOLERANCES

Singatron Enterprise Co., Ltd.
信音企業股份有限公司

DECIMALS:	ANGLES:	TITLE	RJ45 JACK, W/MAGNETIC, W/SHIELD, R/A, DIP TYPE
X :±0.5	X :±2°	DWN	IV-C 2015.04.07
X.X :±0.3	X.X :±1°	CHKD	ANGEL2015.04.07
X.XX :±0.2		APVD	ANGEL2015.04.07
		PART NO.	2TJ1596-000111H
		SCALE:	N/A
		UNIT:	mm
		SIZE:	A3
		SHEET:	2 OF 2
		REV:	A

CUSTOMER COPY