
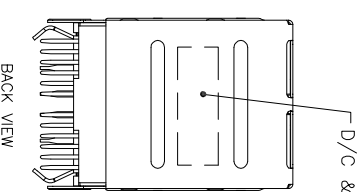
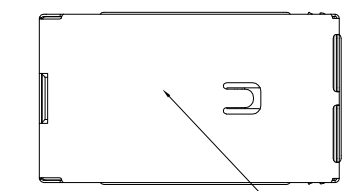
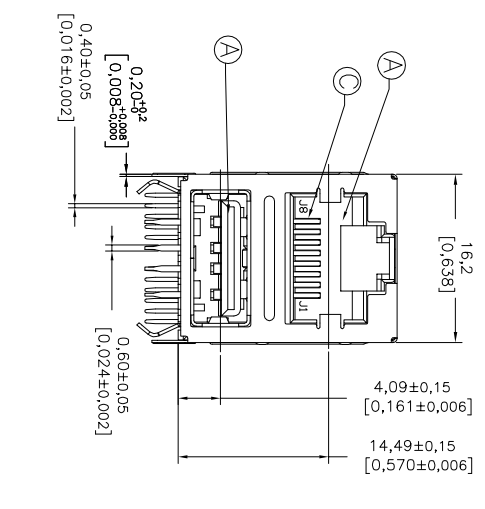
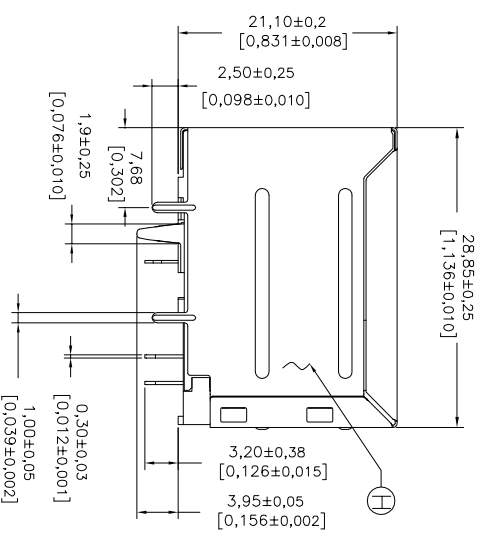
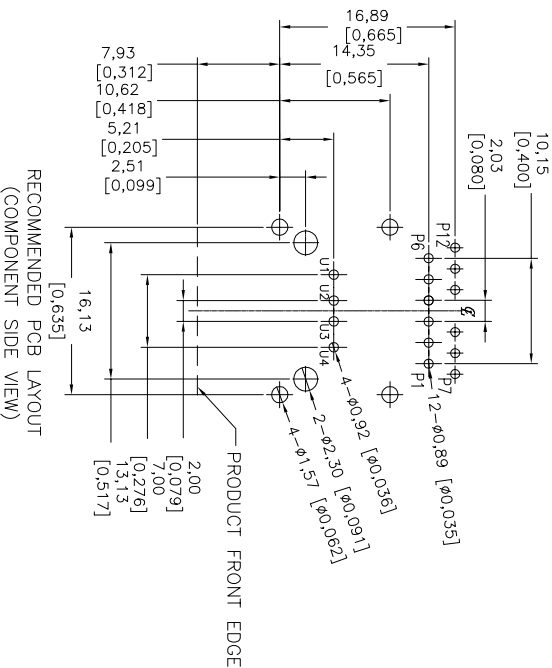
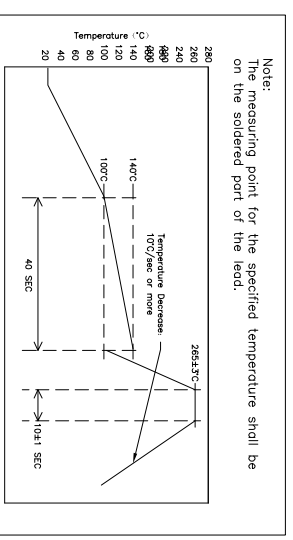
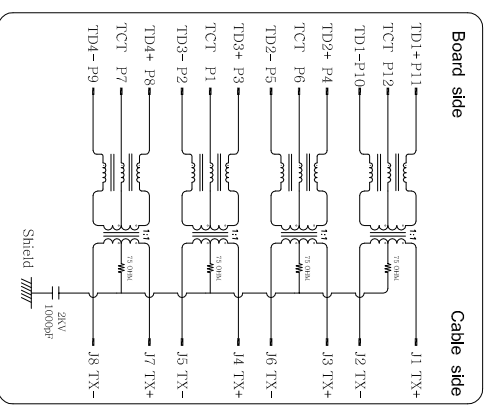


REV.	ECN NO OR DESCRIPTION	REVISED	DATE
B	ECN NO: L160133/L170008/18	IVY-C	2017.02.08
C	ECN NO: L170036	EVEN	2017.06.15

- SPECIFICATION:**
- TO CONFORM TO SINGATRON HAZARDOUS SUBSTANCE FREE SPEC.
 - GREEN PRODUCT IDENTIFICATION LABEL ON PACKAGING: 
 - PACKAGE: SEE "2TJ1604-121111F" PACKAGE.
 - MATES WITH MODULAR PLUG CONFORMING TO FCC PART 68, SUBPART F.
 - ELECTRICAL
 - INSULATION RESISTANCE : 500 MOHMS MIN
 - DIELECTRIC WITHSTANDING VOLTAGE : 1500 VAC FOR 1 MINUTE
 - DURABILITY TEST RATING
 - DURABILITY : 750 CYCLES
 - INSERTION FORCE WITH THE LATCH DEPRESSED : 22N MAX
 - REMOVAL FORCE WITH THE LATCH DEPRESSED : 44N MAX
 - DURABILITY : 750 CYCLES
 - INSERTION FORCE : 35N MAX
 - REMOVAL FORCE : 10N MIN
 - DURABILITY : 1500 CYCLES
 - OPERATING AND STORAGE TEMPERATURE
 - OPERATING TEMPERATURE : 0°C TO +70°C
 - STORAGE TEMPERATURE : -40°C TO +85°C
 - TEMPERATURE CONDITION OF WAVE SOLDERING:



SCHEMATIC FOR RJ45:



ELECTRICAL CHARACTERISTICS :

- INSERTION LOSS :
 - 1~100 MHZ -1.0dB MAX.
- RETURN LOSS(LOAD 100Ω) :
 - 1~30 MHZ -18dB MIN
 - 30~60 MHZ -16dB MIN
 - 60~80 MHZ -12dB MIN
 - 80~100 MHZ -10dB MIN
- COMMON MODE REJECTION
 - 1~100 MHZ -30dB MIN
- CROSS TALK
 - 1~100 MHZ -30dB MIN
- INDUCTANCE @ 100KHZ, 0.1V, 8mA DC BIAS
 - (P11-P10),(P4-P5),(P3-P2),(P8-P9) : 350 uH MIN
- DCR
 - (J1-J2),(J3-J6),(J4-J5),(J7-J8) : 1.2 OHM MAX
- HI-POT TEST
 - PCB SIDE TO CABLE SIDE : 1500VAC 60S OR 2250VDC 60S
- TURNS RATION 100KHZ
 - (P11-P10) : (J1-J2) = 1:1 ±%3
 - (P4-P5) : (J3-J6) = 1:1 ±%3
 - (P3-P2) : (J4-J5) = 1:1 ±%3
 - (P8-P9) : (J7-J8) = 1:1 ±%3

PART NO.
2TJ1604-121111F

SUFFIX: HALOGEN FREE
PACKAGE
1: TRAY

HOUSING COLOR
1: BLACK

CONTACT PLATING
1: GOLD FLASH PLATED ON CONTACT AREA.
TIN PLATED ON SOLDER AREA.
NICKEL UNDERPLATED OVERALL

9. OTHER GENERAL SPEC. TO REFER "2TJ1604-121111F SPEC."

NO	DESCRIPTION	QTY	MATERIAL	PLATING & COLOR
H	PCB	1		
G	USB CONTACT	4	C2680	30U" GOLD ON CONTACT AREA, TIN PLATING ON SOLDER TAILS, NICKEL OVERALL
F	USB SHELL	1	C2680	NICKEL
E	CASE	1	LCP UL 94V-0	BLACK
D	RJ SHELL	1	SUS304	TIN PLATED ON SOLDER AREA
C	OUTPUT CONTACT	8	C5210	SEE PART NO.
B	INPUT CONTACT	12	C2680	TIN PLATED
A	RJ / USB HOUSING	1	LCP UL 94V-0	BLACK
NO	DESCRIPTION	QTY	MATERIAL	PLATING & COLOR

UNLESS OTHERWISE SPECIFIED TOLERANCES

Singatron Enterprise Co., Ltd.
信音企業股份有限公司

DECIMALS: ANGLES:

X : ±0.5 X : ±2°

X.X : ±0.3 X.X : ±1°

X.XX : ±0.2

TITLE: RJ45, W/LED, W/MAGNETIC, R/A, W/SHELD, W/USB2.0 DIP TYPE

DWN: ELEN 2017.06.15 PART NO. 2TJ1604-121111F

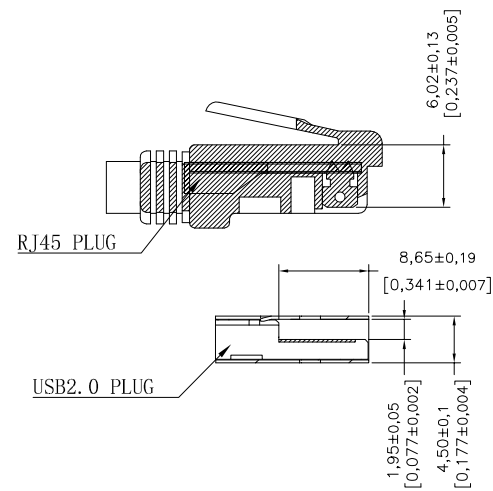
CHKD: ANGELE 2017.06.15 SCALE: 5:1 UNIT: mm

APVD: ANGELE 2017.06.15 SIZE: A3 SHEET: 1 OF 2 REV: C

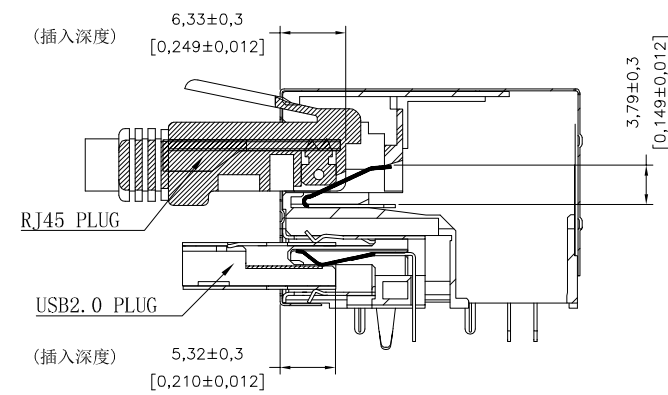
CUSTOMER COPY

REV.	ECN NO OR DESCRIPTION	REVISED	DATE
C	ECN NO: L170036	EVEN	2017.06.15

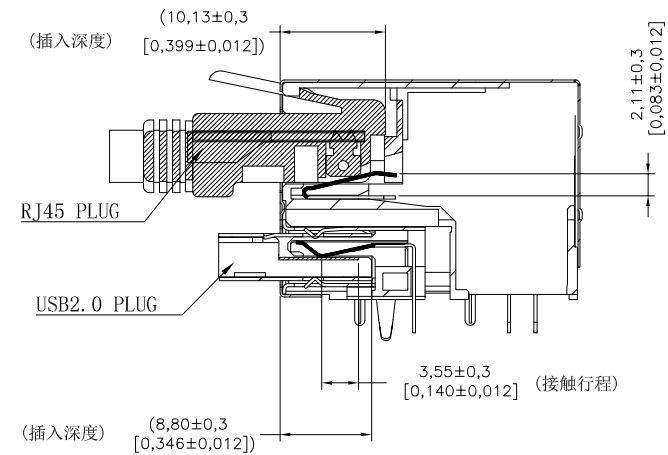
1. MATING PLUG DRAWING



2. 端子接触状态 (开始接触)



2. 端子接触状态 (插入到底)



NO	DESCRIPTION	QTY	MATERIAL	PLATING & COLOR
UNLESS OTHERWISE SPECIFIED TOLERANCES		Singatron Enterprise Co., Ltd. 信音企業股份有限公司		
DECIMALS:	ANGLES:	TITLE	RJ45, W/LED, W/MAGNETIC, R/A, W/SHIELD, W/USB2.0 DIP TYPE	
X : ±0.5	X : ±2°	DWN	EVEN 2017.06.15	PART NO. 2TJ1604-12111F
X.X : ±0.3	X.X : ±1°	CHKD	ANGELA2017.06.15	SCALE 2.5:1 UNIT: mm
X.XX : ±0.2		APVD	ANGELA2017.06.15	SIZE: A3 SHEET: 2 OF 2 REV: C
CUSTOMER COPY				