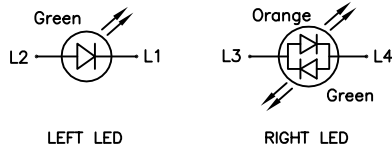


REV.	ECN NO OR DESCRIPTION	REVISED	DATE
A	PDR RELEASE	IVY-C	2015.04.23



Emitting Color	λ_p (nm)	V_f @ $I_f=20mA$	I_r @ $V_r=5V$
Green	565	1.7V~2.6V	10 μ A max.
Orange	610	1.7V~2.6V	10 μ A max.

PART NO.
2TJ1610-000111F

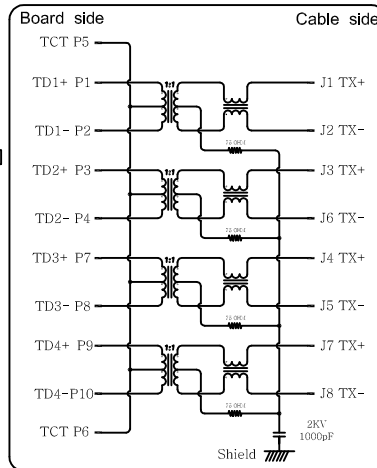
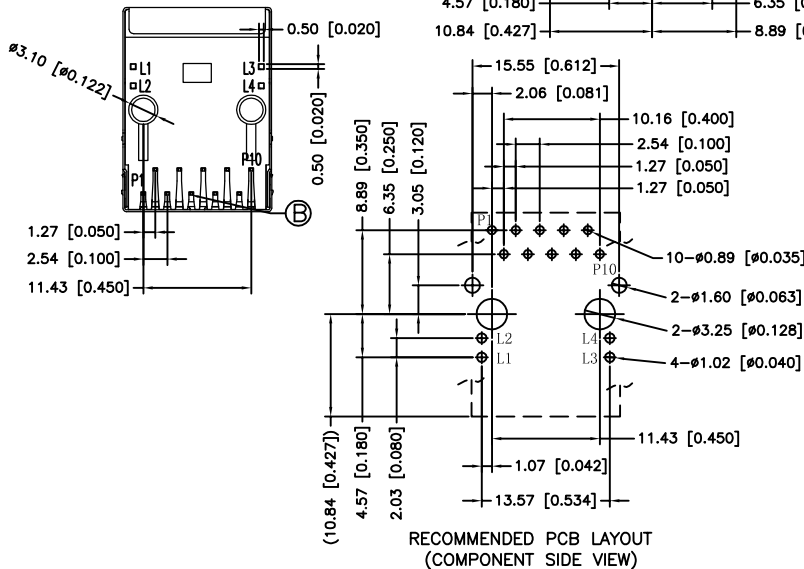
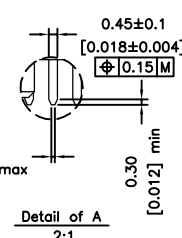
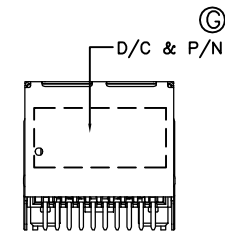
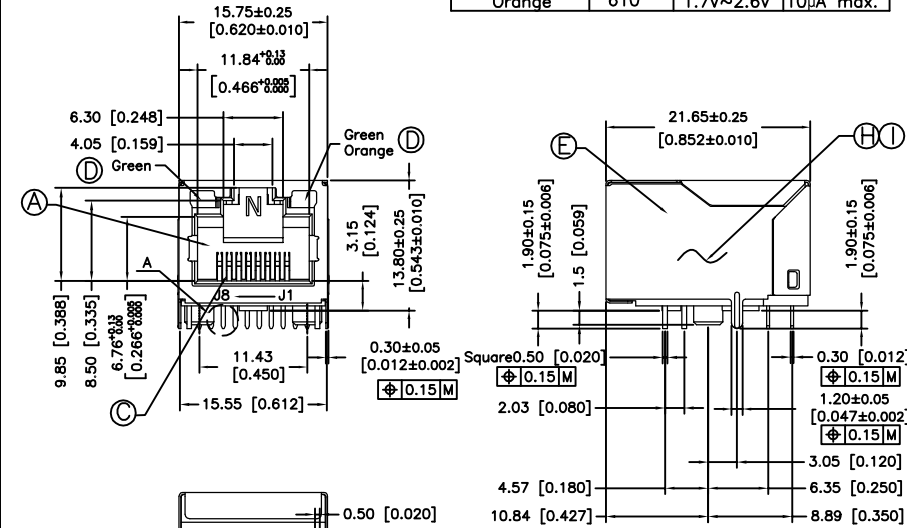
- SUFFIX: HALOGEN FREE
- PACKAGE: TAPE & REEL
- HOUSING COLOR: 1: BLACK
- CONTACT PLATING: 1: GOLD FLASH PLATED ON CONTACT AREA 100 μ TIN PLATED ON SOLDER AREA 50~100 μ NICKEL UNDERPLATED OVERALL

SPECIFICATION:

1. TO CONFORM TO SINGATRON HAZARDOUS SUBSTANCE FREE SPEC.
2. GREEN PRODUCT IDENTIFICATION LABEL ON PACKAGING:
3. PACKAGE: SEE "2TJ1610 SERIES" PACKAGE.
4. FOR REFLOW SOLDERING LEAD-FREE PROCESS.
5. MATES WITH MODULAR PLUG CONFORMING TO FCC PART 68, SUBPART F.
6. ELECTRICAL
 - INSULATION RESISTANCE : 500 MOHMS MIN
 - DIELECTRIC WITHSTANDING VOLTAGE : 1500 VAC FOR 1 MINUTE
7. DURABILITY TEST RATING
 - INSERTION FORCE WITH THE LATCH DEPRESSED : 22N MAX
 - REMOVAL FORCE WITH THE LATCH DEPRESSED : 44N MAX
 - DURABILITY : 750 CYCLES
8. OPERATING AND STORAGE TEMPERATURE
 - OPERATING TEMPERATURE : -40°C TO +85°C
 - STORAGE TEMPERATURE : -40°C TO +85°C

ELECTRICAL CHARACTERISTICS :

1. INSERTION LOSS :
 - 1~100 MHz -1.0dB MAX.
2. RETURN LOSS(LOAD 100 Ω) :
 - 1~30 MHz -18dB MIN
 - 30~60 MHz -16dB MIN
 - 60~80 MHz -12dB MIN
 - 80~100 MHz -10dB MIN
3. COMMON MODE REJECTION
 - 1~100 MHz -30dB MIN
4. CROSS TALK
 - 1~100 MHz -30dB MIN
5. INDUCTANCE @ 100KHz, 0.1V, 8mA DC BIAS
 - (P1-P2),(P3-P4),(P7-P8),(P9-P10) : 350 uH MIN
6. HI-POT TEST
 - PCB SIDE TO CABLE SIDE : 1500VAC 60S OR 2250VDC 60S
7. HI-POT TEST
 - PCB SIDE TO CABLE SIDE : 1500VAC 60S OR 2250VDC 60S
8. TURNS RATION 100KHz
 - (P1-P2) : (J1-J2) = 1:1 \pm 5%
 - (P3-P4) : (J3-J6) = 1:1 \pm 5%
 - (P7-P8) : (J4-J5) = 1:1 \pm 5%
 - (P9-P10) : (J7-J8) = 1:1 \pm 5%
9. OTHER GENERAL SPEC. TO REFER "2TJ1610 SERIES SPEC".



I	PCB	1		
H	INSERT MOLD	1	LCP UL 94V-0	BLACK
G	INK	-		BLACK
F	BASE	2	LCP UL 94V-0	BLACK
E	SHELL	1	SUS304-1/2H	TIN PLATED ON SOLDER AREA
D	LED	2	LED	GREEN/ GREEN/ORANGE
C	OUTPUT CONTACT	8	C5210	SEE PART NO.
B	INTPUT CONTACT	10	C2680	TIN PLATED
A	HOUSING	1	PA10T UL 94V-0	BLACK
NO	DESCRIPTION	QTY	MATERIAL	PLATING & COLOR
UNLESS OTHERWISE SPECIFIED TOLERANCES		Singatron Enterprise Co., Ltd. 信音企業股份有限公司		
DECIMALS: ANGLES:		TITLE R/J45, W/LED, W/MAGNETIC, R/A, W/SHIELD, DIP TYPE		
X :±0.5 X :±2°		DWN NY-C 2015.04.23 PART NO. 2TJ1610-000111F		
X.X :±0.3 X.X :±1°		CHKD ANGEL2015.04.23 SCALE2.5:1 UNIT: mm		
X.XX :±0.2		APVD ANGEL2015.04.23 SIZE: A3 SHEET:1 OF 1 REV: A		
CUSTOMER COPY				