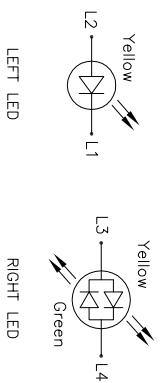


REV.	ECN NO OR DESCRIPTION	REVISED	DATE
A	PDR RELEASE	EVEN	2019.02.23



Emitting Color	Ap (nm)	Vf @If=20mA	Ir @Vf=5V
Green	565	1.7V~2.6V	10µA max.
Yellow	585	1.7V~2.6V	10µA max.

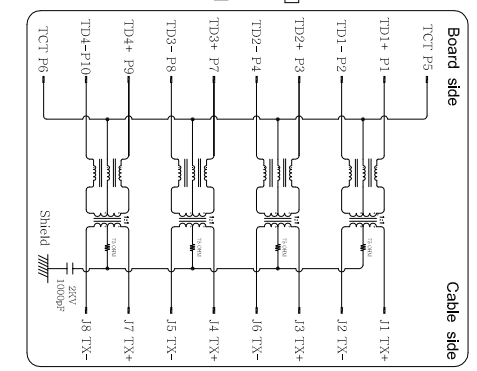
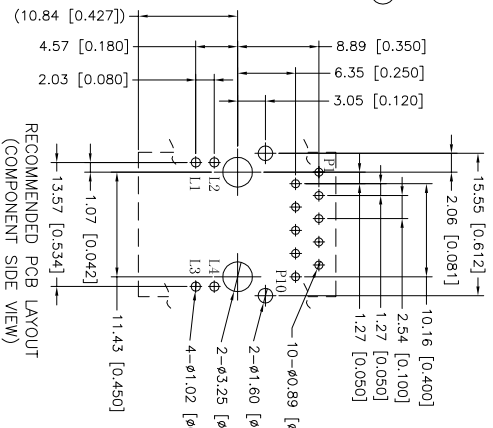
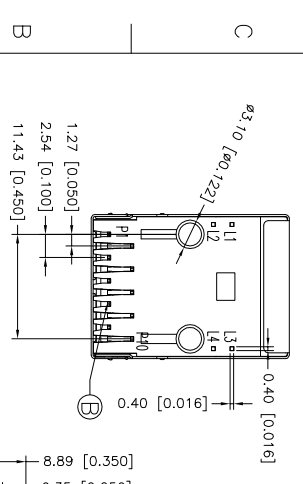
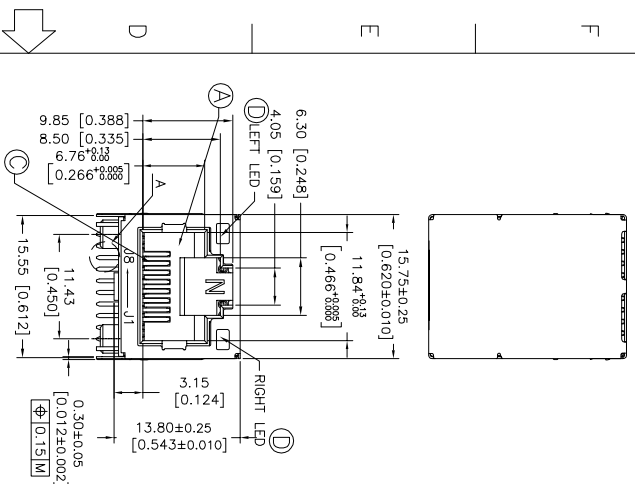
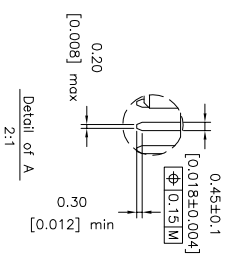
PART NO.
21J1610-006111F

- SURFACE HALOGEN FREE
- PACKAGE REEL
- 1: WAFER & REEL
- HOUSING COLOR
- 1: BLACK
- CONTACT PLATING
- 1: GOLD FLASH PLATED ON CONTACT AREA
- 2: 50µm MIN. NICKEL UNDERPLATED OVERALL
- 500 µm MIN. NICKEL UNDERPLATED OVERALL

- SPECIFICATION:**
- TO CONFORM TO SINGATRON HAZARDOUS SUBSTANCE FREE SPEC.
 - GREEN PRODUCT IDENTIFICATION LABEL ON PACKAGING.
 - PACKAGE: SEE "21J1610-006111F" PACKAGE
 - FOR REFLOW SOLDERING LEAD-FREE PROCESS.
 - MALES WITH MODULAR PLUG CONFORMING TO FCC PART 68, SUBPART F.
 - ELECTRICAL
 - INSULATION RESISTANCE: 500 MOHMS MIN
 - DIELECTRIC WITHSTANDING VOLTAGE: 1500 VAC FOR 1 MINUTE
 - DURABILITY TEST RATING
 - INSERTION FORCE WITH THE LATCH DEPRESSED : 22N MAX
 - REMOVAL FORCE WITH THE LATCH DEPRESSED : 44N MAX
 - DURABILITY : 5000 CYCLES
 - OPERATING AND STORAGE TEMPERATURE
 - OPERATING TEMPERATURE : -40°C TO +85°C
 - STORAGE TEMPERATURE : -40°C TO +85°C

ELECTRICAL CHARACTERISTICS :

- INSERTION LOSS :
 - 1~100 MHz -1.0dB MAX.
 - RETURN LOSS(LOAD 100Ω) :
 - 1~30 MHz -18dB MIN
 - 30~60 MHz -16dB MIN
 - 60~80 MHz -12dB MIN
 - 80~100 MHz -10dB MIN
 - COMMON MODE REJECTION
 - 1~100 MHz -30dB MIN
 - CROSS TALK
 - 1~100 MHz -30dB MIN
 - INDUCTANCE @ 100MHz, 0.1V, 8mA DC BIAS
 - (P1-P2),(P3-P4),(P7-P8),(P9-P10) : 350 pH MIN
 - H-PORT TEST
 - PCB SIDE TO CABLE SIDE : 1500VAC 60S OR 2250VDC 60S
 - TURNS RATION 100KHz
 - (P1-P2) : (J1-J2) = 1:1 ±#5
 - (P3-P4) : (J3-J4) = 1:1 ±#5
 - (P7-P8) : (J4-J5) = 1:1 ±#5
 - (P9-P10) : (J7-J8) = 1:1 ±#5
9. OTHER GENERAL SPEC. TO REFER "21J1610-006111F SPEC".



NO	DESCRIPTION	QTY	MATERIAL	PLATING & COLOR
A	HOUSING	1	LCP UL 94V-0	BLACK
B	INPUT CONTACT	10	C2680	TIN PLATED
C	OUTPUT CONTACT	8	C5210	SEE PART NO.
D	LED	2	LED	GREEN/YELLOW
E	SHELL	1	SUS304-1/2H	TIN PLATED ON SOLDER AREA
F	CASE	1	LCP UL 94V-0	BLACK
G	PCB	1		

TITLE	SCALE	SIZE	SHEET	REV.
R445, W/LED, W/MAGNETIC, R/A, W/SHIELD, DIP TYPE	SCALE2.5:1	A3	1 OF 1	A

Singatron Enterprise Co., Ltd.
信音企業股份有限公司

CUSTOMER COPY