

REV.	ECN NO OR DESCRIPTION	REVISED	DATE
A	PDR RELEASE	Even	2017.06.02



Emitting Color	Ap (nm)	Vf @If=20mA	Ic @Vf=5V
Green	565	1.7V~2.6V	10µA max.

LED COLOR  
1: L:GREEN & R: GREEN

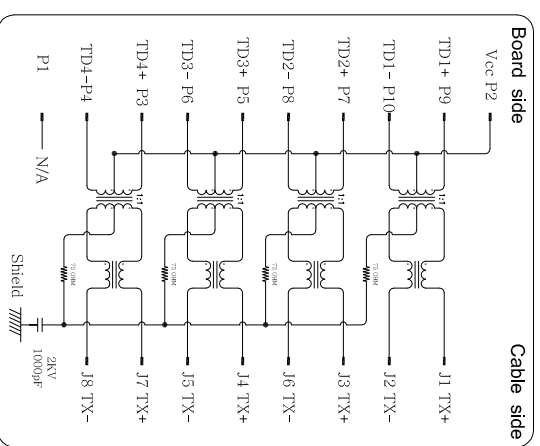
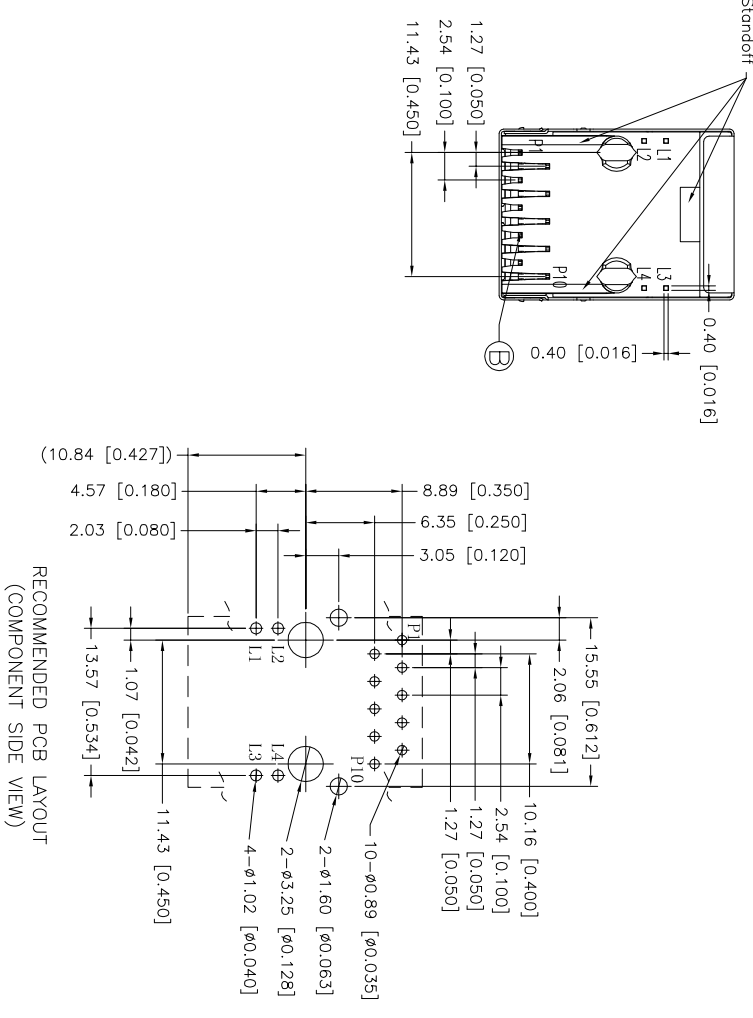
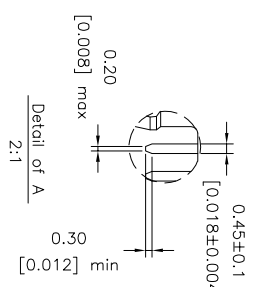
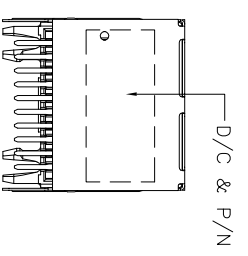
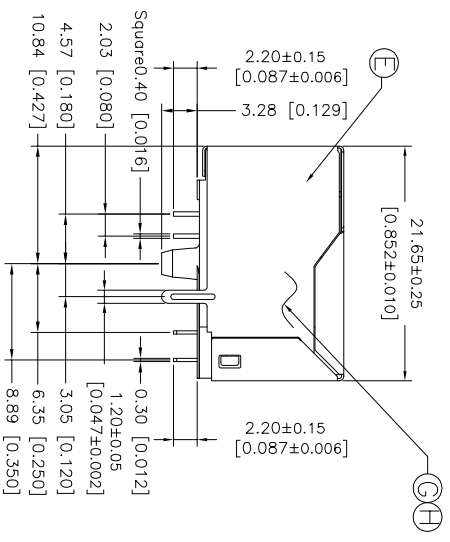
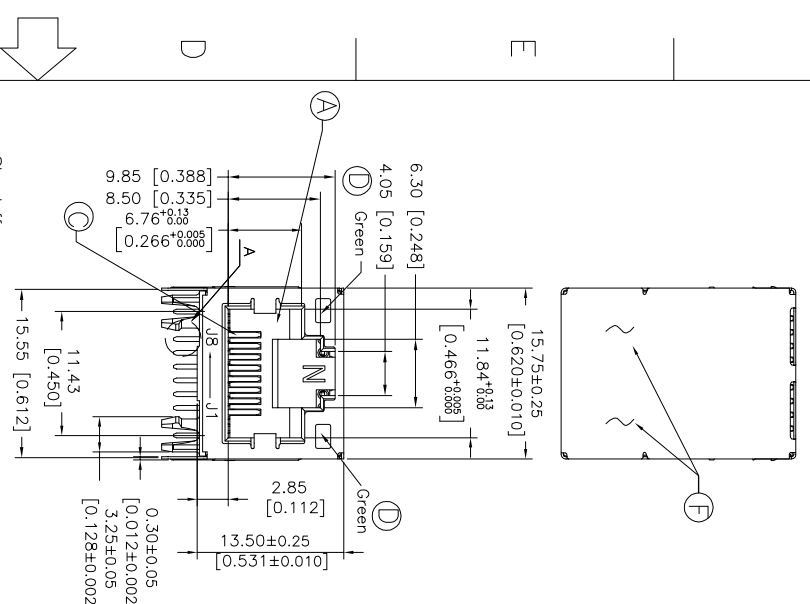
PART NO.  
**2TJ1610-01112H**

SUFFIX: HALOGEN  
PACKAGE  
2: TRAY  
HOUSING COLOR  
1: BLACK  
CONTACT PLATING  
1: GOLD FLASH PLATED ON CONTACT AREA  
100µ" TIN PLATED ON SOLDER AREA  
50~100µ" NICKEL UNDERPLATED OVERALL

- SPECIFICATION:**
- TO CONFORM TO SINGATRON HAZARDOUS SUBSTANCE FREE SPEC.
  - GREEN PRODUCT IDENTIFICATION LABEL ON PACKAGING: **G.P. PASS**
  - PACKAGE: SEE "2TJ1610-01112H" PACKAGE.
  - FOR WAVE SOLDERING LEAD-FREE PROCESS.
  - MAITES WITH MODULAR PLUG CONFORMING TO FCC PART 68, SUBPART F.
  - ELECTRICAL
    - RESISTANCE : 500 MOHMS MIN
    - INSULATION WITHSTANDING VOLTAGE : 1500 VAC FOR 1 MINUTE
    - DIELECTRIC WITHSTANDING VOLTAGE : 1500 VAC FOR 1 MINUTE
    - DURABILITY TEST RATING
    - INSERTION FORCE WITH THE LATCH DEPRESSED : 22N MAX
    - REMOVAL FORCE WITH THE LATCH DEPRESSED : 44N MAX
    - DURABILITY : 750 CYCLES
    - OPERATING AND STORAGE TEMPERATURE
    - OPERATING TEMPERATURE : -40°C TO +85°C
    - STORAGE TEMPERATURE : -40°C TO +85°C

**ELECTRICAL CHARACTERISTICS :**

- INSERTION LOSS :
  - 1~100 MHz -1.0dB MAX.
- RETURN LOSS(LOAD 100Ω) :
  - 1~30 MHz -18dB MIN
  - 30~60 MHz -16dB MIN
  - 60~80 MHz -12dB MIN
  - 80~100 MHz -10dB MIN
- COMMON MODE REJECTION
  - 1~100 MHz -30dB MIN
- CROSS TALK
  - 1~100 MHz -30dB MIN
- INDUCTANCE @ 100KHz, 0.1V, 8mA DC BIAS
  - (P9-P10),(P7-P8),(P5-P6),(P3-P4) : 350 nH MIN
- HI-POT TEST
  - PCB SIDE TO CABLE SIDE : 1500VAC 60S OR 2250VDC 60S
- TURNS RATION 100KHz
  - (P9-P10) : (J1-J2) = 1:1 ±2%
  - (P7-P8) : (J3-J6) = 1:1 ±2%
  - (P5-P6) : (J4-J5) = 1:1 ±2%
  - (P3-P4) : (J7-J8) = 1:1 ±2%
- OTHER GENERAL SPEC. TO REFER "2TJ1610-01112H SPEC."



NO	DESCRIPTION	QTY	MATERIAL	PLATING & COLOR
H	PCB	1		
G	INSERT MOLD	1	LCP UL 94V-0	BLACK
F	CASE	2	LCP UL 94V-0	BLACK
E	SHELL	1	SUS304-1/2H	TIN PLATED ON SOLDER AREA GREEN/ GREEN
D	LED	2	LED	GREEN/ GREEN
C	OUTPUT CONTACT	8	C5210	SEE PART NO.
B	INPUT CONTACT	10	C2680	TIN PLATED
A	HOUSING	1	PBT UL 94V-0	BLACK
NO	DESCRIPTION		MATERIAL	PLATING & COLOR

UNLESS OTHERWISE SPECIFIED TOLERANCES

DECIMALS: ANGLES:

X : ±0.5 X : ±2°  
X.X : ±0.3 X.X : ±1°  
X.XX : ±0.2

Singatron Enterprise Co., Ltd.  
信音企業股份有限公司

TITLE R145, W/LED, W/MAGNETIC, R/A, W/SHIELD, DIP TYPE  
DWN EBN 2017.06.02 PART NO. 2TJ1610-01112H  
CHKD ANGELA 2017.06.02 SCALE:2.5:1 UNIT: mm  
APVD ANGELA 2017.06.02 SIZE: A3 SHEET:1 OF 1 REV: A