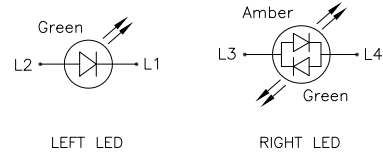


REV.	ECN NO OR DESCRIPTION	REVISED	DATE
A	PDR RELEASE	EVEN	2020.07.07
B	ECN NO: L202101-R01	EVEN	2021.03.03



Emitting Color	$\lambda_p$ (nm)	$V_f$ @ $I_f=20mA$	$I_r$ @ $V_r=5V$
Green	570	1.7V~2.6V	10 $\mu$ A max.
Amber	610	1.7V~2.6V	10 $\mu$ A max.

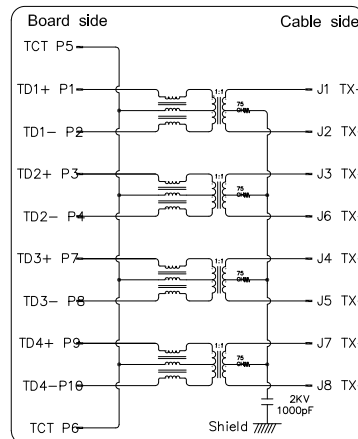
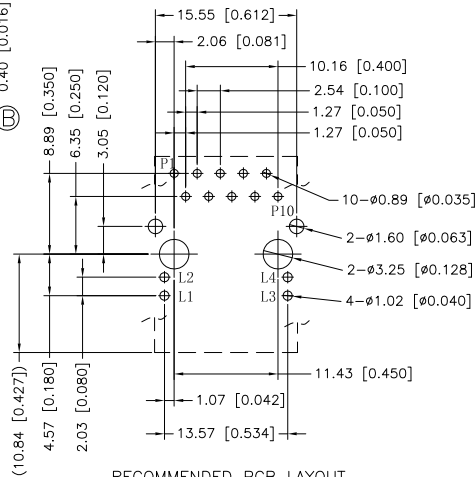
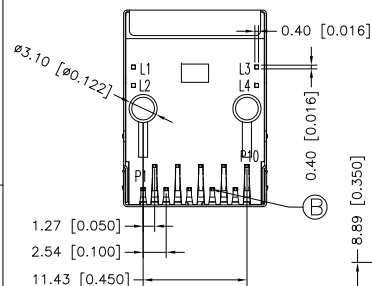
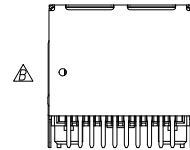
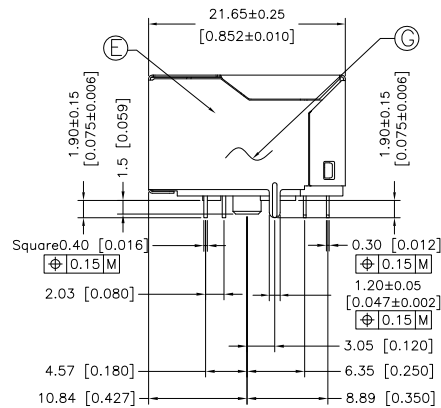
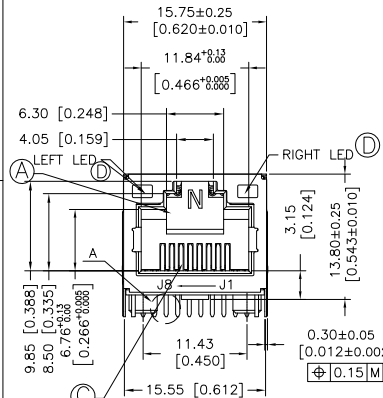
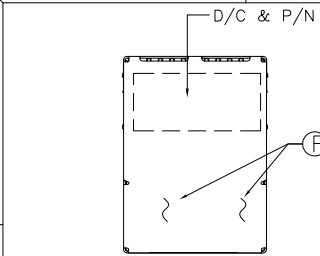
**PART NO.**  
2TJ1610-025111F

SUFFIX: HALOGEN FREE  
PACKAGE  
1: TAPE & REEL  
HOUSING COLOR  
1: BLACK  
CONTACT PLATING  
1: GOLD FLASH PLATED ON CONTACT AREA  
100 $\mu$ m MIN. TIN PLATED ON SOLDER AREA  
30 $\mu$ m MIN. NICKEL UNDERPLATED OVERALL

- SPECIFICATION:**
- TO CONFORM TO SINGATRON HAZARDOUS SUBSTANCE FREE SPEC.
  - GREEN PRODUCT IDENTIFICATION LABEL ON PACKAGING:
  - PACKAGE: SEE "2TJ1610-025111F" PACKAGE.
  - FOR REFLOW SOLDERING LEAD-FREE PROCESS.
  - MATES WITH MODULAR PLUG CONFORMING TO FCC PART 68, SUBPART F.
  - ELECTRICAL
    - INSULATION RESISTANCE : 500 MOHMS MIN
    - DIELECTRIC WITHSTANDING VOLTAGE : 1500 VAC FOR 1 MINUTE
  - DURABILITY TEST RATING
    - INSERTION FORCE WITH THE LATCH DEPRESSED :22N MAX
    - REMOVAL FORCE WITH THE LATCH DEPRESSED :44N MAX
    - DURABILITY :5000 CYCLES
  - OPERATING AND STORAGE TEMPERATURE
    - OPERATING TEMPERATURE : -40°C TO +85°C
    - STORAGE TEMPERATURE : -40°C TO +85°C

**ELECTRICAL CHARACTERISTICS :**

- INSERTION LOSS :
  - 1~100 MHz -1.0dB MAX.
- RETURN LOSS(LOAD 100 $\Omega$ ) :
  - 1~30 MHz -18dB MIN
  - 30~60 MHz -16dB MIN
  - 60~80 MHz -12dB MIN
  - 80~100 MHz -10dB MIN
- COMMON MODE REJECTION
  - 1~100 MHz -30dB MIN
- CROSS TALK
  - 1~100 MHz -30dB MIN
- INDUCTANCE @ 100KHz, 0.1V, 8mA DC BIAS
  - (P1-P2),(P3-P4),(P7-P8),(P9-P10) : 350 uH MIN
- HI-POT TEST
  - PCB SIDE TO CABLE SIDE : 1500VAC 60S OR 2250VDC 60S
- TURNS RATION 100KHz
  - (P1-P2) : (J1-J2) = 1:1  $\pm$ 5%
  - (P3-P4) : (J3-J6) = 1:1  $\pm$ 5%
  - (P7-P8) : (J4-J5) = 1:1  $\pm$ 5%
  - (P9-P10) : (J7-J8) = 1:1  $\pm$ 5%
- OTHER GENERAL SPEC. TO REFER "2TJ1610-025111F SPEC".



NO	DESCRIPTION	QTY	MATERIAL	PLATING & COLOR
G	PCB	1		
F	CASE	2	LCP UL 94V-0	BLACK
E	SHELL	1	SUS304-1/2H	TIN PLATED ON SOLDER AREA
D	LED	2	LED	GREEN/ GREEN;AMBER
C	OUTPUT CONTACT	8	C5210	SEE PART NO.
B	INTPUT CONTACT	10	C2680	TIN PLATED
A	HOUSING	1	LCP UL 94V-0	BLACK

UNLESS OTHERWISE SPECIFIED TOLERANCES		信音科技(香港)有限公司	
DECIMALS:	ANGLES:	TITLE	RJ45, W/LED, W/MAGNETIC, R/A, W/SHIELD, DIP TYPE
X : $\pm$ 0.5	X : $\pm$ 2°	DWN	EVEN 2021.03.03 PART NO. 2TJ1610-025111F
X.X : $\pm$ 0.3	X.X : $\pm$ 1°	CHKD	SCALE2.5:1 UNIT: mm
X.XX : $\pm$ 0.2		APVD	ANGELA 2021.03.03 SIZE: A3 SHEET:1 OF 1 REV:B
<b>CUSTOMER COPY</b>			