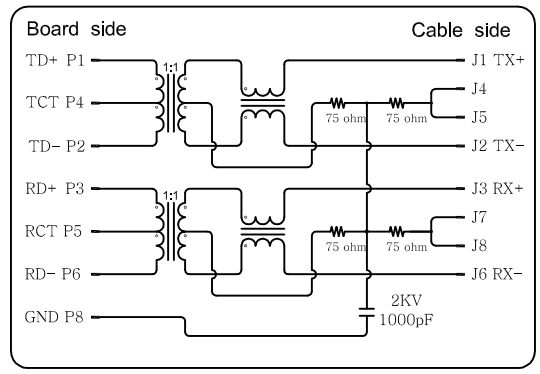


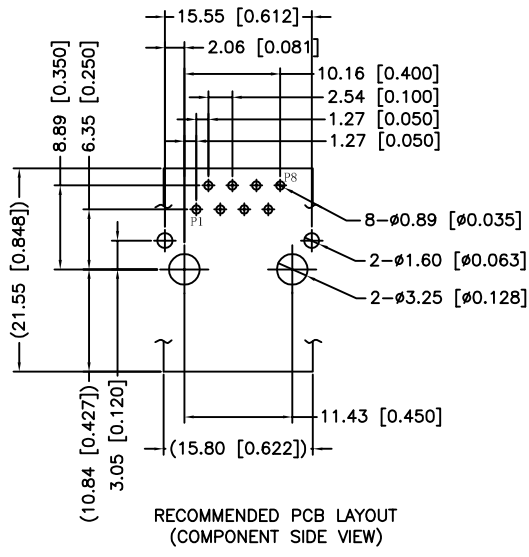
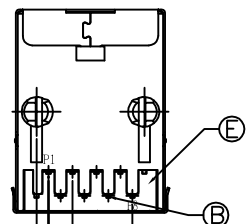
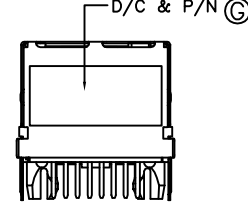
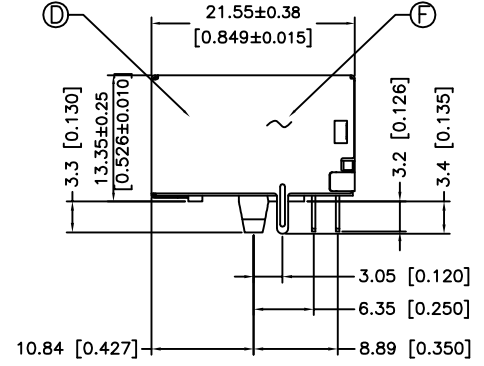
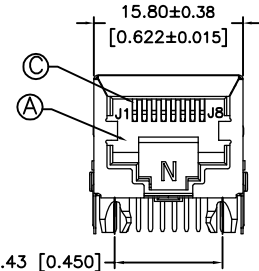
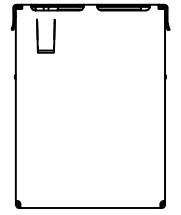
REV.	ECN NO OR DESCRIPTION	REVISED	DATE
A	PDR RELEASE	IVY-C	2015.04.23



- SPECIFICATION:**
- TO CONFORM TO SINGATRON HAZARDOUS SUBSTANCE FREE SPEC.
 - GREEN PRODUCT IDENTIFICATION LABEL ON PACKAGING:
 - PACKAGE: SEE "2TJ1611 SERIES" PACKAGE.
 - FOR REFLOW SOLDERING LEAD-FREE PROCESS.
 - MATES WITH MODULAR PLUG CONFORMING TO FCC PART 68, SUBPART F.
 - ELECTRICAL
 - INSULATION RESISTANCE : 500 MOHMS MIN
 - DIELECTRIC WITHSTANDING VOLTAGE : 1500 VAC FOR 1 MINUTE
 - DURABILITY TEST RATING
 - INSERTION FORCE WITH THE LATCH DEPRESSED :22N MAX
 - REMOVAL FORCE WITH THE LATCH DEPRESSED :44N MAX
 - DURABILITY :750 CYCLES
 - OPERATING AND STORAGE TEMPERATURE
 - OPERATING TEMPERATURE : -40°C TO +85°C
 - STORAGE TEMPERATURE : -40°C TO +85°C

ELECTRICAL CHARACTERISTICS :

- INSERTION LOSS :
 - 1~100 MHz -1.0dB MAX.
 - RETURN LOSS(LOAD 100Ω) :
 - 1~30 MHz -18dB MIN
 - 30~60 MHz -16dB MIN
 - 60~80 MHz -12dB MIN
 - COMMON MODE REJECTION
 - 1~100 MHz -30dB MIN
 - CROSS TALK
 - 1~100 MHz -30dB MIN
 - INDUCTANCE @ 100KHz, 0.1V, 8mA DC BIAS
 - (P1-P2),(P3-P6) : 350 uH MIN
 - DCR
 - (J1-J2),(J3-J6) : 1.2 Ohm MAX
 - HI-POT TEST
 - PCB SIDE TO CABLE SIDE : 1500VAC 60S OR 2250VDC 60S
 - TURNS RATION 100KHz
 - (P1-P2) : (J1-J2) = 1:1 ±%5
 - (P3-P6) : (J3-J6) = 1:1 ±%5
9. OTHER GENERAL SPEC. TO REFER "2TJ1611 SERIES SPEC".



PART NO.
2TJ1611-010111F

1: WITHOUT LED

SUFFIX: HALOGEN FREE
PACKAGE
1: TAPE & REEL
HOUSING COLOR
1: GRAY
CONTACT PLATING
1: 15u" GOLD PLATED ON CONTACT AREA
100u" TIN PLATED ON SOLDER AREA.
50~100u" NICKEL UNDERPLATED OVERALL

G	INK	-	INK	BLACK
F	PCB	1		
E	INSERT	1	LCP UL 94V-0	GRAY
D	SHELL	1	STAINLESS STEEL	TIN PLATED ON SOLDER AREA
C	OUTPUT CONTACT	8	COPPER ALLOY	SEE PART NO.
B	INTPUT CONTACT	8	COPPER ALLOY	TIN PLATED
A	HOUSING	1	LCP UL 94V-0	GRAY
NO	DESCRIPTION	QTY	MATERIAL	PLATING & COLOR
UNLESS OTHERWISE SPECIFIED TOLERANCES			Singatron Enterprise Co., Ltd. 	
DECIMALS:	ANGLES:	TITLE	RJ45, W/MAGNETIC, R/A, W/SHIELD, DIP TYPE	
X : ±0.5	X : ±2°	DWN	IV-C 2015.04.23	PART NO. 2TJ1611-010111F
X.X : ±0.3	X.X : ±1°	CHKD	ANGELA2015.04.23	SCALE:2.5:1 UNIT: mm
X.XX : ±0.2		APVD	ANGELA2015.04.23	SIZE: A3 SHEET:1 OF 1 REV: A
CUSTOMER COPY				