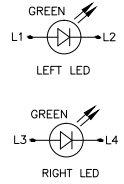
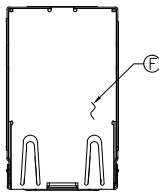
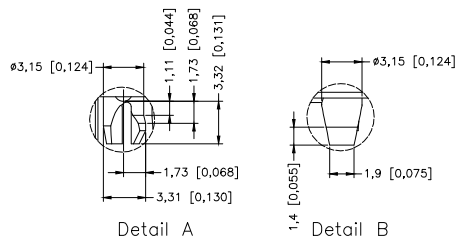


REV.	ECN NO OR DESCRIPTION	REVISED	DATE
B	ECN NO: L202203-004	EVEN	2022.04.26



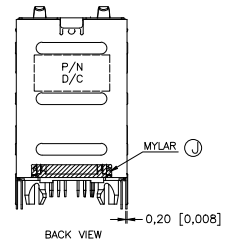
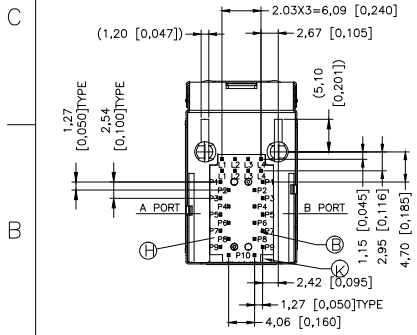
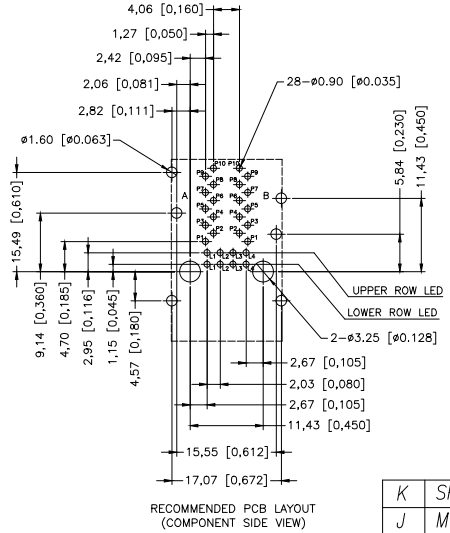
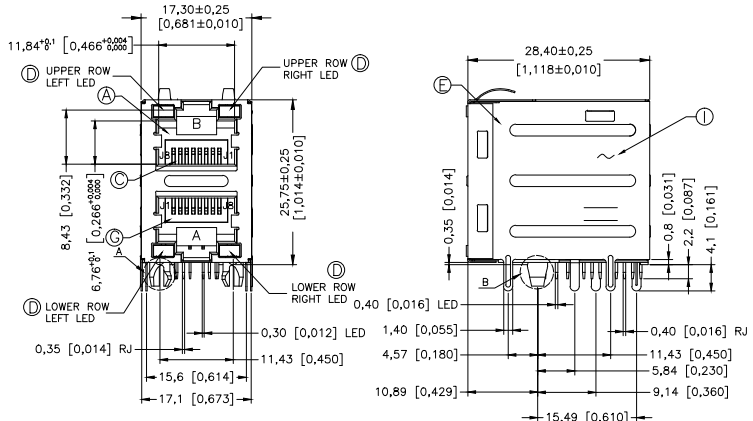
Emitting Color	λp (nm)	Vf @If=20mA	Ir @Vr=5V
Green	565	1.7V~2.6V	10μA max.



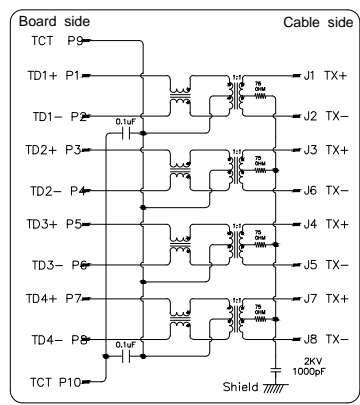
- SPECIFICATION:**
- TO CONFORM TO SINGATRON HAZARDOUS SUBSTANCE FREE SPEC.
 - GREEN PRODUCT IDENTIFICATION LABEL ON PACKAGING.
 - PACKAGE: SEE "2TJ1613 SERIES" PACKAGE.
 - FOR REFLOW SOLDERING LEAD-FREE PROCESS.
 - MATES WITH MODULAR PLUG CONFORMING TO FCC PART 68, SUBPART F.
 - ELECTRICAL
 - INSULATION RESISTANCE : 500 MOHMS MIN
 - DURABILITY TEST RATING
 - INSERTION FORCE WITH THE LATCH DEPRESSED :22N MAX
 - REMOVAL FORCE WITH THE LATCH DEPRESSED :44N MAX
 - DURABILITY :750 CYCLES
 - OPERATING AND STORAGE TEMPERATURE
 - OPERATING TEMPERATURE : -40°C TO +85°C
 - STORAGE TEMPERATURE : -40°C TO +85°C

ELECTRICAL CHARACTERISTICS :

- INSERTION LOSS :
 - 1~100 MHz -1.0dB MAX.
- RETURN LOSS(LOAD 100Ω) :
 - 1~30 MHz -18dB MIN
 - 30~60 MHz -16dB MIN
 - 60~80 MHz -12dB MIN
 - 80~100 MHz -10dB MIN
- COMMON MODE REJECTION
 - 1~100 MHz -30dB MIN
- CROSS TALK
 - 1~100 MHz -30dB MIN
- OCL @ 100KHz, 0.1V, 8mA DC BIAS
 - (P1-P2),(P3-P4),(P5-P6),(P7-P8) : 350 uH MIN
- DCR
 - (J1-J2),(J3-J6),(J4-J5),(J7-J8) : 1.2Ω MAX
- HI-POT TEST
 - PCB SIDE TO CABLE SIDE : 1500VAC 60S OR 2250VDC 60S
- TURNS RATION 100KHz
 - (P1-P2) : (J1-J2) = 1:1 ±%3
 - (P3-P4) : (J3-J6) = 1:1 ±%3
 - (P5-P6) : (J4-J5) = 1:1 ±%3
 - (P7-P8) : (J7-J8) = 1:1 ±%3
- OTHER GENERAL SPEC. TO REFER "2TJ1613 SERIES SPEC".



SCHEMATIC FOR RJ45:



K	SPACER	1	LCP UL 94V-0	BLACK
J	MYLAR	1		YELLOW
I	PCB	2		
H	COVER	1	LCP UL 94V-0	BLACK
G	INSERT	1	LCP UL 94V-0	BLACK
F	CASE	2	LCP UL 94V-0	BLACK
E	SHELL	1	SUS 304	TIN PLATED ON SOLDER AREA
D	LED	4	LED	GREEN
C	OUTPUT CONTACT	16	C5210	SEE PART NO.
B	INTPUT CONTACT	20	C2680	TIN PLATED
A	HOUSING	1	LCP UL 94V-0	BLACK
NO	DESCRIPTION	QTY	MATERIAL	PLATING & COLOR

UNLESS OTHERWISE SPECIFIED TOLERANCES		Singatron Enterprise Co., Ltd. 信音企業股份有限公司	
DECIMALS:	ANGLES:	TITLE	RJ45, W/LED R/A, W/SHIELD, DIP TYPE
X : ±0.5	X : ±2°	DWN	EVEN 2022.04.26 PART NO. 2TJ1613-000111F
XX : ±0.3	XX : ±1°	CHKD	SCALE 2.5:1 UNIT: mm
XXX : ±0.2		APVD	ANGELA2022.04.26 SIZE: A3 SHEET: 1 OF 1 REV: B
CUSTOMER COPY			

PART NO. 2TJ1613-000111F

SUFFIX: HALOGEN FREE PACKAGE
 1: TRAY
 HOUSING COLOR
 1: BLACK
 CONTACT PLATING
 1: 30μ" GOLD PLATED ON CONTACT AREA
 100μ" TIN PLATED ON SOLDER AREA
 30μ" NICKEL UNDERPLATED OVERALL