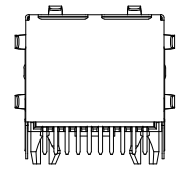
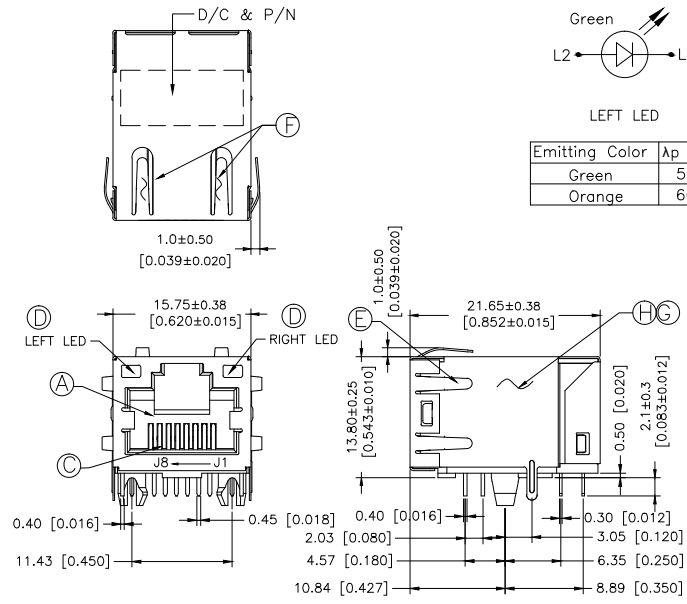
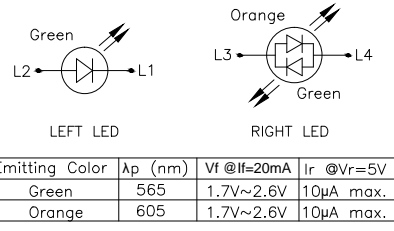


REV.	ECN NO OR DESCRIPTION	REVISED	DATE
A	PDR RELEASE	IVY-C	2015.06.08
B	ECN NO: L170003	IVY-C	2017.02.06
C	ECN NO: L202109-001	EVEN	2022.01.04

**SPECIFICATION:**  
 1. TO CONFORM TO SINGATRON HAZARDOUS SUBSTANCE FREE SPEC.  
 2. GREEN PRODUCT IDENTIFICATION LABEL ON PACKAGING:  
 3. PACKAGE: SEE "2TJ1614 SERIES" PACKAGE.  
 4. FOR REFLOW SOLDERING LEAD-FREE PROCESS.  
 5. MATES WITH MODULAR PLUG CONFORMING TO FCC PART 68, SUBPART F.  
 6. ELECTRICAL  
 - INSULATION RESISTANCE : 500 MOHMS MIN  
 - DIELECTRIC WITHSTANDING VOLTAGE : 1500 VAC FOR 1 MINUTE  
 7. DURABILITY TEST RATING  
 - INSERTION FORCE WITH THE LATCH DEPRESSED :22N MAX  
 - REMOVAL FORCE WITH THE LATCH DEPRESSED :44N MAX  
 - DURABILITY :750 CYCLES  
 8. OPERATING AND STORAGE TEMPERATURE  
 - OPERATING TEMPERATURE : -40°C TO +85°C  
 - STORAGE TEMPERATURE : -40°C TO +85°C

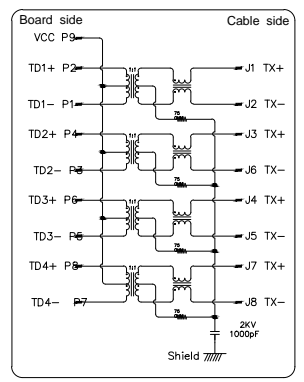
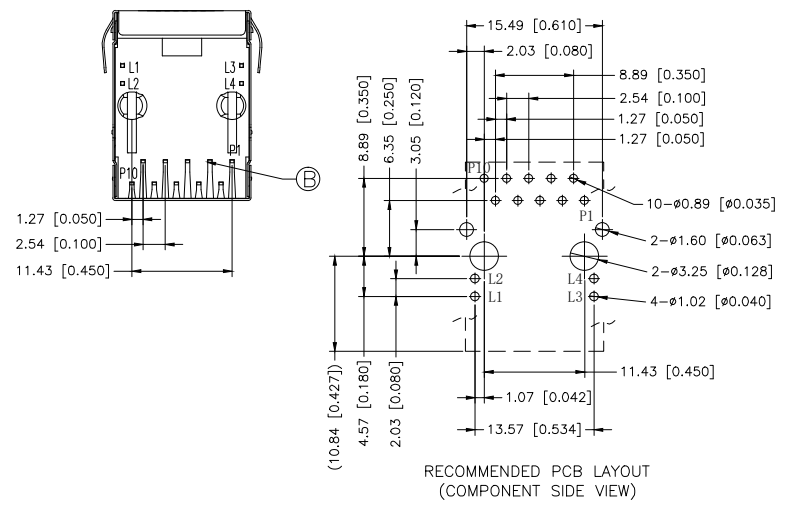
**ELECTRICAL CHARACTERISTICS :**

- INSERTION LOSS :**  
 - 1~100 MHz -1.0dB MAX.
- RETURN LOSS(LOAD 100 $\Omega$ ) :**  
 - 1~30 MHz -18dB MIN  
 - 30~60 MHz -16dB MIN  
 - 60~80 MHz -12dB MIN  
 - 80~100 MHz -10dB MIN
- COMMON MODE REJECTION**  
 - 1~100 MHz -30dB MIN
- CROSS TALK**  
 - 1~100 MHz -30dB MIN
- INDUCTANCE @ 100KHz, 0.1V, 8mA DC BIAS**  
 - (P2-P1),(P4-P3),(P6-P5),(P7-P7) : 350 uH MIN
- HI-POT TEST**  
 - PCB SIDE TO CABLE SIDE : 1500VAC 60S OR 2250VDC 60S
- TURNS RATION 100KHz**  
 - (P2-P1) : (J1-J2) = 1:1  $\pm$ 3%  
 - (P4-P3) : (J3-J6) = 1:1  $\pm$ 3%  
 - (P6-P5) : (J4-J5) = 1:1  $\pm$ 3%  
 - (P8-P7) : (J7-J8) = 1:1  $\pm$ 3%
- OTHER GENERAL SPEC. TO REFER "2TJ1614 SERIES SPEC".**



**PART NO. 2TJ1614-000111F**

- SUFFIX: HALOGEN FREE
- PACKAGE 1: TRAY
- HOUSING COLOR 1: BLACK
- CONTACT PLATING 1: GOLD FLASH PLATED ON CONTACT AREA 100u" MIN. TIN PLATED ON SOLDER AREA. 30u" MIN. NICKEL UNDERPLATED OVERALL



H	PCB	1		
G	INSERT MOLD	1	LCP UL 94V-0	BLACK
F	BASE	2	PF2A5-151J(b)+30%GF UL 94V-0	BLACK
E	SHELL	1	SUS304	30u" MIN NICKEL
D	LED	2		GREEN/ GREEN/ORANGE
C	OUTPUT CONTACT	8	C5210	SEE PART NO.
B	INPUT CONTACT	10	COPPER ALLOY	TIN PLATED
A	HOUSING	1	LCP UL 94V-0	BLACK
NO	DESCRIPTION	QTY	MATERIAL	PLATING & COLOR

UNLESS OTHERWISE SPECIFIED TOLERANCES		信音科技(香港)有限公司		
DECIMALS:	ANGLES:	TITLE	RJ45, W/LED R/A, W/SHIELD, DIP TYPE	
X : ±0.5	X : ±2°	DWN	EVEN 2022.01.04	<b>PART NO. 2TJ1614-000111F</b>
X.X : ±0.3	X.X : ±1°	CHKD		SCALE 2.5:1 UNIT: mm
X.XX : ±0.2		APVD	ANGELA2022.01.04	SIZE: A3 SHEET: 1 OF 1 REV: C
<b>CUSTOMER COPY</b>				