

| | | | |
|------|-----------------------|---------|------------|
| REV. | ECN NO OR DESCRIPTION | REVISED | DATE |
| A | PDR RELEASE | IVY-C | 2015.11.18 |

SPECIFICATION:

- TO CONFORM TO SINGATRON HAZARDOUS SUBSTANCE FREE SPEC.
- GREEN PRODUCT IDENTIFICATION LABEL ON PACKAGING: **G.P. PASS**
- PACKAGE: SEE "2TJ1620 SERIES" PACKAGE.
- FOR REFLOW SOLDERING LEAD-FREE PROCESS.
- MATES WITH MODULAR PLUG CONFORMING TO FCC PART 68, SUBPART F.
- ELECTRICAL
 - INSULATION RESISTANCE : 500 MOHMS MIN
 - DIELECTRIC WITHSTANDING VOLTAGE : 1500 VAC FOR 1 MINUTE
- DURABILITY TEST RATING
 - INSERTION FORCE WITH THE LATCH DEPRESSED :22N MAX
 - REMOVAL FORCE WITH THE LATCH DEPRESSED :44N MAX
 - DURABILITY :750 CYCLES
- OPERATING AND STORAGE TEMPERATURE
 - OPERATING TEMPERATURE : 0°C TO +70°C
 - STORAGE TEMPERATURE : -40°C TO +85°C

ELECTRICAL CHARACTERISTICS :

- INSERTION LOSS :
 - 1~100 MHz -1.0dB MAX.
- RETURN LOSS(LOAD 100Ω) :
 - 1~30 MHz -21dB MIN
 - 30~60 MHz -19dB MIN
 - 60~80 MHz -15dB MIN
 - 80~100 MHz -13dB MIN
- COMMON MODE REJECTION
 - 1~100 MHz -30dB MIN
- CROSS TALK
 - 1~100 MHz -30dB MIN
- OCL @ 100KHz, 0.1V, 8mA DC BIAS
 - (P1-P2),(P3-P4),(P5-P6),(P7-P8) : 350 uH MIN
- DCR
 - (J1-J2),(J3-J6),(J4-J5),(J7-J8) : 1.2Ω MAX
- HI-POT TEST
 - PCB SIDE TO CABLE SIDE : 1500VAC 60S OR 2250VDC 60S
- URNS RATION 100KHz
 - (P1-P2) : (J1-J2) = 1:1 ±%5
 - (P3-P4) : (J3-J6) = 1:1 ±%5
 - (P5-P6) : (J4-J5) = 1:1 ±%5
 - (P7-P8) : (J7-J8) = 1:1 ±%5
- SURGE PROTECTION
 - LINE TO GND : 4KV(10~700us)
- OTHER GENERAL SPEC. TO REFER "2TJ1620 SERIES SPEC".

| K | PCB | 4 | | |
|----|----------------|-----|-----------------|---------------------------|
| J | INSERT MOLD | 4 | LCP UL 94V-0 | BLACK |
| I | BACK SHELL | 1 | STAINLESS STEEL | TIN PLATED ON SOLDER AREA |
| H | MYLAR | | | YELLOW |
| G | INK | | | BLACK |
| F | LED | 8 | | GREEN/ORANGE |
| E | BASE | 1 | LCP UL 94V-0 | BLACK |
| D | FRONT SHELL | 1 | STAINLESS STEEL | |
| C | OUTPUT CONTACT | 32 | COPPER ALLOY | SEE PART NO. |
| B | INTPUT CONTACT | 40 | COPPER ALLOY | TIN PLATED |
| A | HOUSING | 1 | PA-10T UL 94V-0 | BLACK |
| NO | DESCRIPTION | QTY | MATERIAL | PLATING & COLOR |

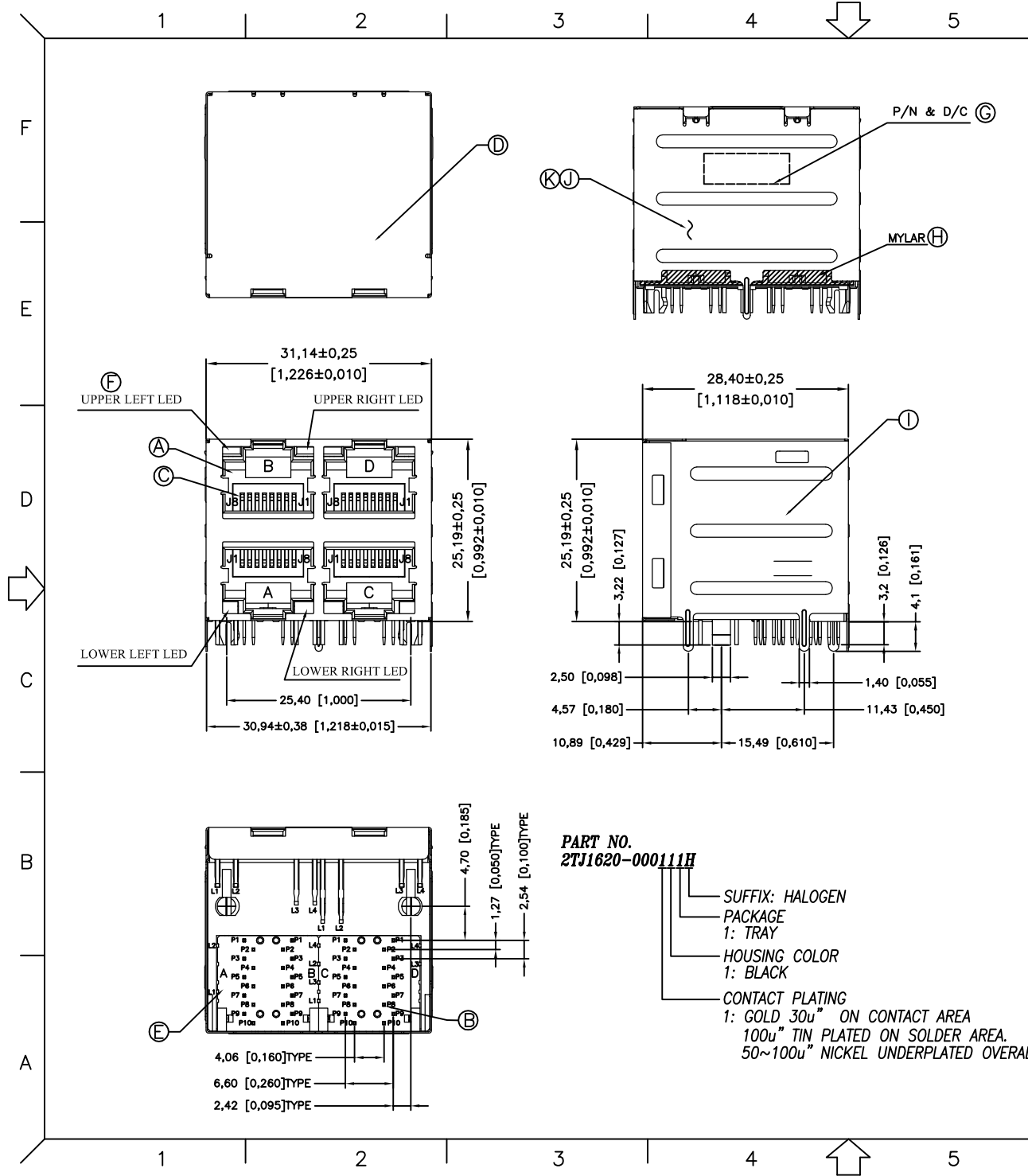
UNLESS OTHERWISE SPECIFIED TOLERANCES

Singatron Enterprise Co., Ltd.
信音企業股份有限公司

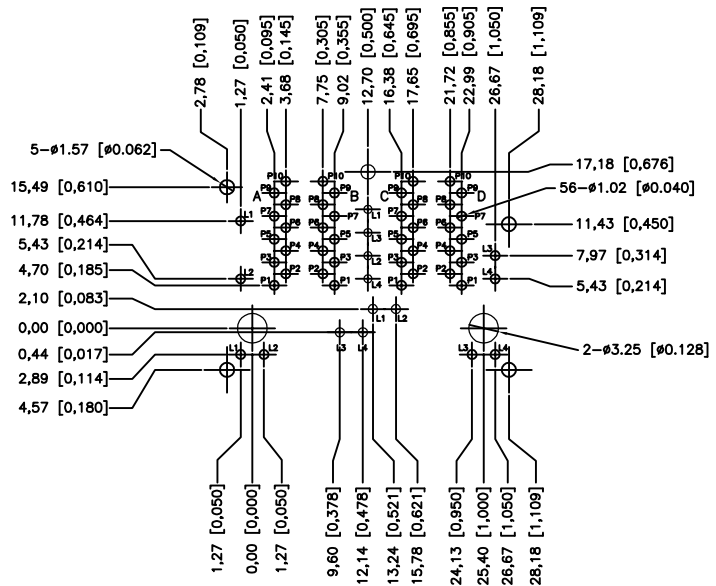
DECIMALS: ANGLES:
X :±0.5 X :±2°
X.X :±0.3 X.X :±1°
X.XX :±0.2

| TITLE | 2x2 RJ45, W/MAGNETIC, R/A, W/SHIELD, DIP TYPE |
|-------|--|
| DWN | IV-C 2015.11.18 PART NO. 2TJ1620-000111H |
| CHKD | ANGELA2015.11.18 SCALE2.5:1 UNIT: mm |
| APVD | ANGELA2015.11.18 SIZE: A3 SHEET:1 OF 2 REV: A |

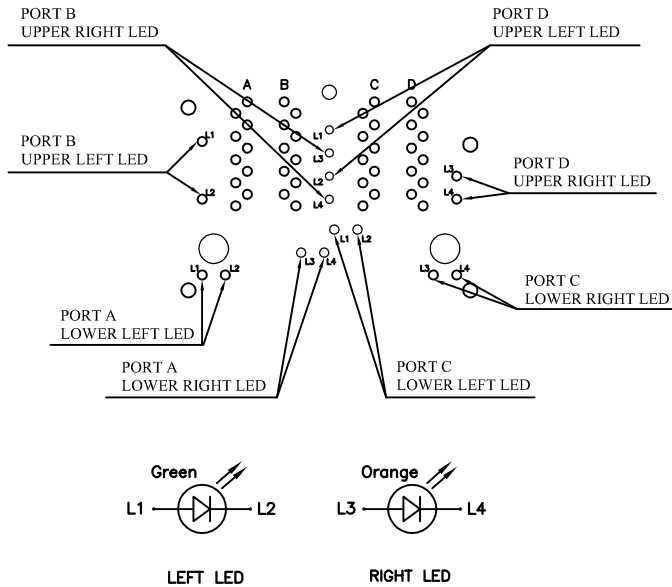
CUSTOMER COPY



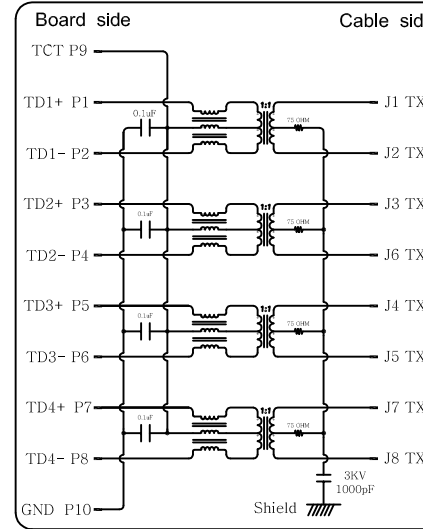
| | | | |
|------|-----------------------|---------|------------|
| REV. | ECN NO OR DESCRIPTION | REVISED | DATE |
| A | PDR RELEASE | IVY-C | 2015.11.18 |



RECOMMENDED PCB LAYOUT
(COMPONENT SIDE VIEW)



SCHEMATIC FOR RJ45:
-10/100/1000BASE-T
-WITH LED



| Emitting Color | λp (nm) | Vf @If=20mA | Ir @Vr=5V |
|----------------|---------|-------------|-----------|
| Green | 565 | 1.7V~2.6V | 10µA max. |
| Orange | 610 | 1.7V~2.6V | 10µA max. |

| NO | DESCRIPTION | QTY | MATERIAL | PLATING & COLOR |
|---------------------------------------|-------------|--|---|--------------------------------------|
| UNLESS OTHERWISE SPECIFIED TOLERANCES | | Singatron Enterprise Co., Ltd. 信音企業股份有限公司 | | |
| DECIMALS: | ANGLES: | TITLE | 2x2 RJ45, W/MAGNETIC, R/A, W/SHIELD, DIP TYPE | |
| X : ±0.5 | X : ±2° | DWN | IVY-C 2015.11.18 | PART NO. 2TJ1620-000111H |
| X.X : ±0.3 | X.X : ±1° | CHKD | ANGELA2015.11.18 | SCALE: 2.5:1 UNIT: mm |
| X.XX : ±0.2 | | APVD | ANGELA2015.11.18 | SIZE: A3 SHEET: 2 OF 2 REV: A |
| CUSTOMER COPY | | | | |