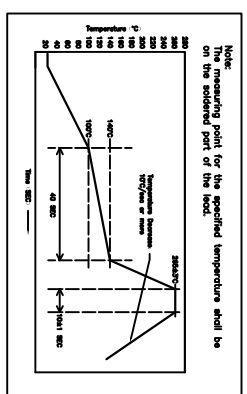


- ELECTRICAL CHARACTERISTICS:**
- INSERTION LOSS:
    - 1-100 MHz: -1.0dB MAX.
  - RETURN LOSS/LOAD (100Ω):
    - 1-30 MHz: -21dB MIN
    - 30-80 MHz: -19dB MIN
    - 80-100 MHz: -15dB MIN
  - COMMON MODE REJECTION:
    - 1-100 MHz: -30dB MIN
  - CROSS TALK:
    - 1-100 MHz: -30dB MIN
  - OCL: 100MHz, 0.1V, 50Ω DC BIAS (DC=70%, 350 μA) MIN:
    - 1-100 MHz: -120 MAX
  - DCR
  - HI-POT TEST:
    - (F1-F10) TO (F1-F8): 1500VDC 60S OR 2250VDC 60S
    - (F1-F10) TO (F1-F8): 1500VDC 60S OR 2250VDC 60S
    - (F2-F1): (F1-F2): 1:1 4K5
    - (F2-F3): (F3-F4): 1:1 4K5
    - (F4-F5): (F5-F6): 1:1 4K5
    - (F6-F7): (F7-F8): 1:1 4K5
  - BALANCED DC LINE CURRENT:
    - ±25mA MAX. 60VDC CONTINUOUS

**PART NO.**  
**2711628-000111H**

- SUFFIX: HALOGEN
- PACKAGE: 1; TRAY
- HOUSING COLOR: 1; BLACK
- CONTACT PLATING:
  - 1; Au 30μ" ON CONTACT AREA
  - 100μ" MIN TIN PLATED ON SOLDER AREA.
  - 30μ" MIN NICKEL UNDERPLATED OVERALL



- SPECIFICATION:**
- CONFORM TO SINGATRON HAZARDOUS SUBSTANCE FREE SPEC.
  - GREEN PRODUCT IDENTIFICATION LABEL ON PACKAGING (G.P. PASS)
  - PACKAGE: SEE 2711628 SERIES "P" PROCESS.
  - FOR WAVE SOLDERING LEAD-FREE PROCESS.
  - MATES WITH MODULAR PLUG CONFORMING TO FCC PART 68 SUBPART F.
  - ELECTRICAL:
    - INSULATION RESISTANCE: 500 MOHMS MIN
    - DIELECTRIC WITHSTANDING VOLTAGE: 1500 VAC FOR 1 MINUTE
    - DURABILITY TEST RATING
    - INSERTION FORCE WITH THE LATCH DEPRESSED: 22N MAX
    - REMOVAL FORCE WITH THE LATCH DEPRESSED: 44N MAX
    - DURABILITY: 750 STROKES
    - OPERATING TEMPERATURE:
      - OPERATING TEMPERATURE: -40°C TO +85°C
      - STORAGE TEMPERATURE: -40°C TO +85°C
    - TEMPERATURE CONDITION OF WAVE SOLDERING:

REV.	ECN NO.	OR DESCRIPTION	REVISED	DATE
A	PDR RELEASE	IV-C		2016.08.22
B	ECN NO: L170017	IV-C		2017.02.17
C	ECN NO: L190012	EVEN		2019.03.15
D	ECN NO: L202003-P01	IV-C		2020.05.13

J	PCB		
I <td>SPACER</td> <td>PA-6T UL 94V-0</td> <td>BLACK</td>	SPACER	PA-6T UL 94V-0	BLACK
H <td>COVER</td> <td>PA-6T UL 94V-0</td> <td>BLACK</td>	COVER	PA-6T UL 94V-0	BLACK
G <td>INSERT</td> <td>PA-6T UL 94V-0</td> <td>BLACK</td>	INSERT	PA-6T UL 94V-0	BLACK
F <td>LED</td> <td></td> <td>GREEN/YELLOW</td>	LED		GREEN/YELLOW
E <td>CASE</td> <td>PF245-151U UL 94V-0</td> <td>BLACK</td>	CASE	PF245-151U UL 94V-0	BLACK
D <td>SHELL</td> <td>STAINLESS</td> <td>30μ" MIN/NICKEL</td>	SHELL	STAINLESS	30μ" MIN/NICKEL
C <td>OUTPUT CONTACT</td> <td>C5210</td> <td>SEE PART NO.</td>	OUTPUT CONTACT	C5210	SEE PART NO.
B <td>INPUT CONTACT</td> <td>C2680</td> <td>TIN PLATED</td>	INPUT CONTACT	C2680	TIN PLATED
A <td>HOUSING</td> <td>PA-6T UL 94V-0</td> <td>BLACK</td>	HOUSING	PA-6T UL 94V-0	BLACK
NO	DESCRIPTION		PLATING & COLOR

UNLESS OTHERWISE SPECIFIED TOLERANCES

DECIMALS: ANGLES:

X :±0.5 X :±2

X.X :±0.3 X.X :±1°

X.XX :±0.2

Singatron Enterprise Co., Ltd.  
信登企業股份有限公司

TITLE: R445, 1MC, 2x4, 10BASE-T, W/LED, SMD

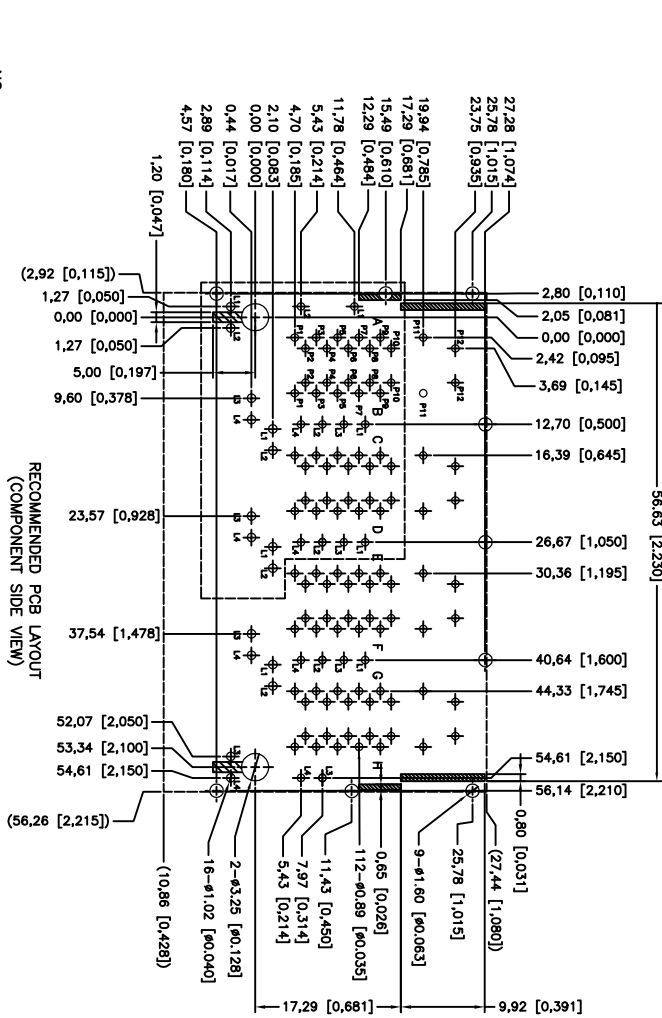
DRAWN: MW-C 2020.05.13 PART NO. 2711628-000111H

CHECKED: ANHUA 2020.05.13 SCALE: 2.5:1 UNIT: mm

APVD: ANHUA 2020.05.13 SIZE: A3 SHEET: 1 OF 2 REV: D

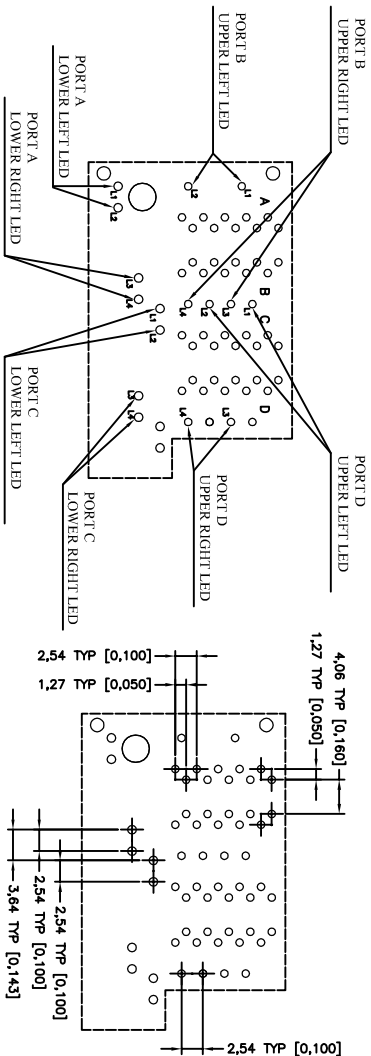
CUSTOMER COPY

REV.	ECN NO OR DESCRIPTION	REVISED	DATE
A	PDR RELEASE	WY-C	2016.08.22
B	ECN NO: L170017	WY-C	2017.02.17
C	ECN NO: L190012	EVEN	2019.03.15
D	ECN NO: L202003-P01	WY-C	2020.05.13



NO. MARKED IS STAND OFF AREA

RECOMMENDED PCB LAYOUT  
(COMPONENT SIDE VIEW)



NO	DESCRIPTION	QTY	MATERIAL	PLATING & COLOR
UNLESS OTHERWISE SPECIFIED TOLERANCES				
DECIMALS: ANGLES:				
X	:±0.5	X	:±2°	
X.X	:±0.3	X.X	:±1°	
X.XX	:±0.2			
TITLE	R445, 1MC, 2x4, 1GBASE-1, W/LED,SMD			
DWN	MFG: 2020.05.13 PART NO. 2T11628-000111H			
CHKD	MFG: 2020.05.13 SCALE: 2.5:1 UNIT: mm			
APVD	MFG: 2020.05.13 SIZE: A3 SHEET: 2 OF 2 REV: D			

CUSTOMER COPY