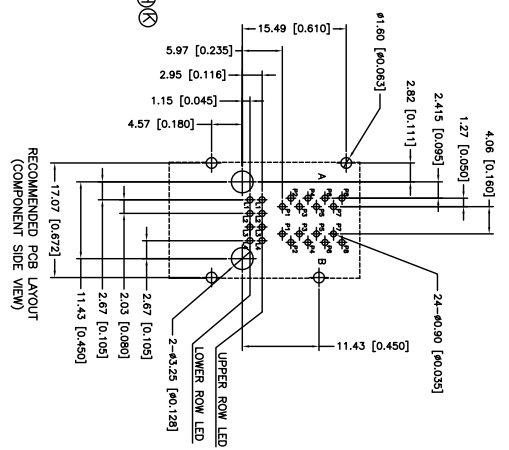
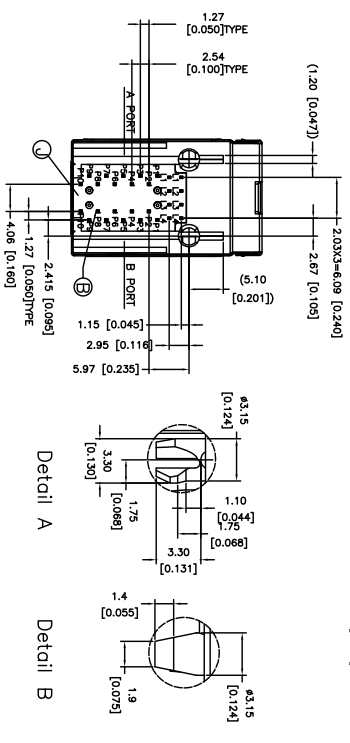
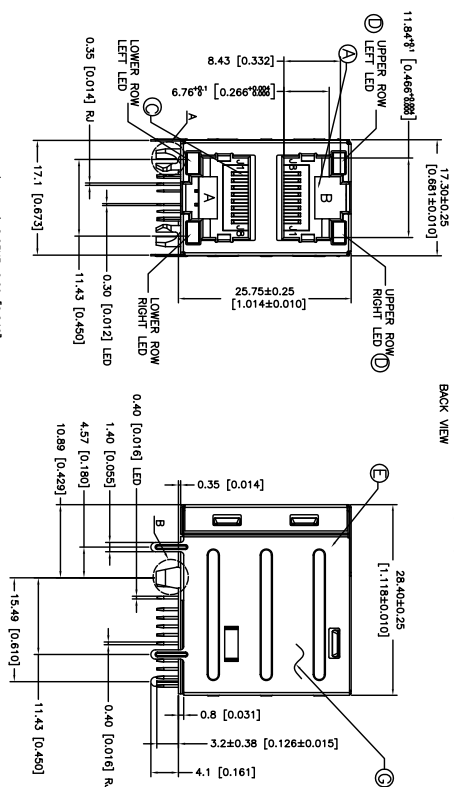
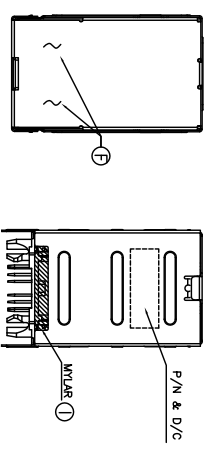


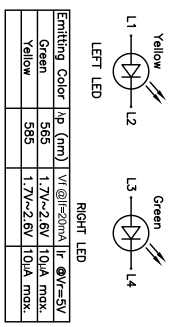
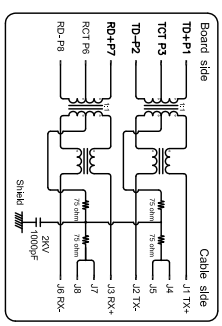
REV. ECN NO OR DESCRIPTION	REVISED	DATE
A PDR RELEASE	EVEN	2020.04.24



PART NO.
271652-000111H

SUFFIX: HALOGEN
PACKAGE : 100U
1: TRAY
HOUSING COLOR : 1: BLACK
CONTRACT PLATING : 1: BLACK
1: GOLD FLASH(1-3U) PLATED ON CONTACT AREA
100U" TIN PLATED ON SOLDER AREA
30U" NICKEL UNDERPLATED OVERALL

SCHEMATIC FOR R145:



- SPECIFICATION:**
- TO CONFORM TO SINGATRON HAZARDOUS SUBSTANCE FREE SPEC.
 - GREEN PRODUCT IDENTIFICATION LABEL ON PACKAGING: **G.P.PASS**
 - PACKAGE: SEE 271652-000111H PACKAGE.
 - FOR WAVE SOLDERING LEAD-FREE PROCESS.
 - MATES WITH MODULAR PLUG CONFORMING TO FCC PART 68, SUBPART F.
 - ELECTRICAL
 - INSULATION RESISTANCE : 500 MOHMS MIN
 - INSERTION FORCE WITH THE LATCH DEPRESSED :22N MAX
 - REMOVAL FORCE WITH THE LATCH DEPRESSED :44N MAX
 - DURABILITY :750 CYCLES
 - OPERATING AND STORAGE TEMPERATURE
 - OPERATING TEMPERATURE : -40°C TO +85°C
 - STORAGE TEMPERATURE : -40°C TO +85°C
 - ELECTRICAL CHARACTERISTICS :
 - 1. INSERTION LOSS :
 - 1~100 MHz : -1.0dB MAX.
 - 2. RETURN LOSS(LOAD 100Ω) :
 - 1~30 MHz : -18dB MIN
 - 30~60 MHz : -16dB MIN
 - 60~80 MHz : -12dB MIN
 - 3. COMMON MODE REJECTION
 - 1~100 MHz : -30dB MIN
 - 4. CROSS TALK :
 - 1~30dB MIN
 - 5. OCL @ 100KHz, 0.1V, 8mA DC BIAS
 - (P1-P2),(P7-P8) : 350 uH MIN
 - 6. DCR
 - (U1-U2),(U3-U6) : 1.2Ω MAX
 - 7. HI-POT TEST
 - (P1-P2) TO (U1-U2) : 1500VAC 60S OR 2250VDC 60S
 - (P7-P8) TO (U3-U6) : 1500VAC 60S OR 2250VDC 60S
 - 8. TURNS RATION 100KHz
 - (P1-P2) : (U1-U2) = 1:1 ±8%
 - (P7-P8) : (U3-U6) = 1:1 ±8%
 - 9. OTHER GENERAL SPEC. TO REFER 271652-000111H SPEC.

K	SPACER	1	LCP UL 94V-0	BLACK
J	COVER	1	LCP UL 94V-0	BLACK
I	MYLAR	1		
H	PCB	1		
G	INSERT MOLD	1	PA10T UL 94V-0	BLACK
F	CASE	2	LCP UL 94V-0	BLACK
E	SHELL	1	SUS304-1/2H	TIN PLATED ON SOLDER AREA
D	LED	2	LED	GREEN/YELLOW
C	OUTPUT CONTACT	16	CS210	SEE PART NO.
B	INPUT CONTACT	8	C2680	TIN PLATED
A	HOUSING	1	PA10T UL 94V-0	BLACK
NO	DESCRIPTION	QTY	MATERIAL	PLATING & COLOR

UNLESS OTHERWISE SPECIFIED TOLERANCES

DECIMALS: ANGLES:

X :±0.5 X :±2°

X.X :±0.3 X.X :±1°

X.XX :±0.2

Singatron Enterprise Co., Ltd.
信音企業股份有限公司

ENVIRONMENTAL TEST: R145, W/LED, W/MAGNETIC, R/A, W/SHIELD, DIP TYPE

DATE: 2020.04.24

SCALE: 2.5:1 UNIT: mm

SIZE: A3 SHEET: 1 OF 1 REV: A

CUSTOMER COPY