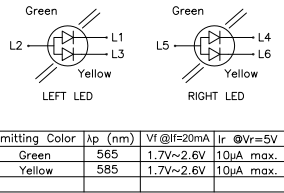
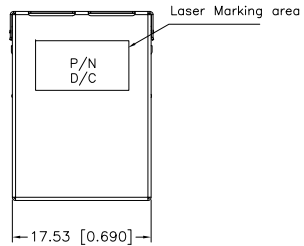
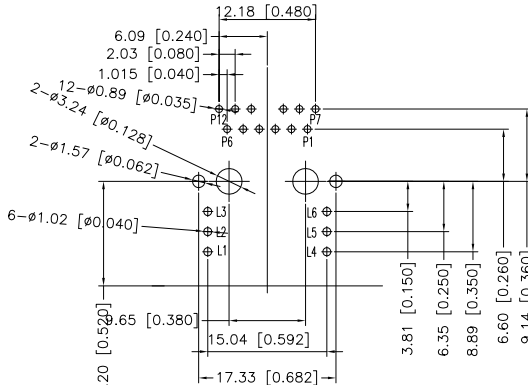


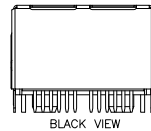
REV.	ECN NO OR DESCRIPTION	REVISED	DATE
A	PDR RELEASE	EVEN	2021.07.09



Emitting Color	Ap (nm)	Vf @If=20mA	Ir @Vr=5V
Green	565	1.7V~2.6V	10µA max.
Yellow	585	1.7V~2.6V	10µA max.



RECOMMENDED PCB LAYOUT  
(COMPONENT SIDE VIEW)



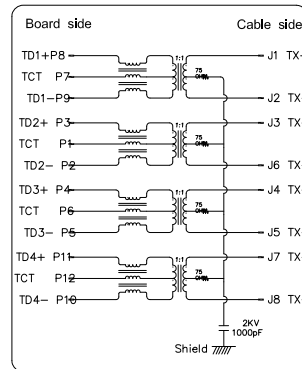
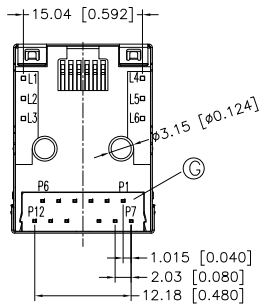
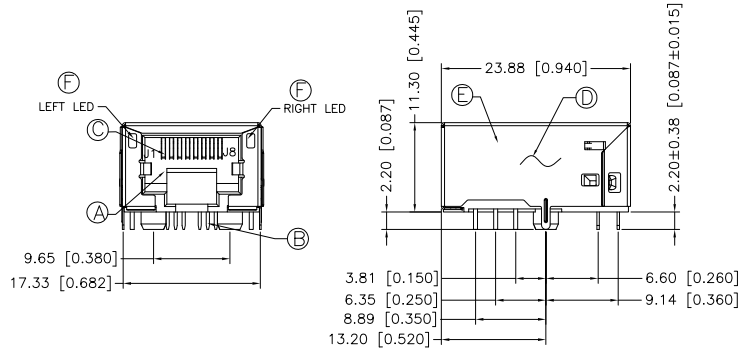
BLACK VIEW

ELECTRICAL CHARACTERISTICS :

- INSERTION LOSS :
  - 1-400 MHz -2.0dB MAX
- RETURN LOSS(LOAD 100Ω) :
  - 1 MHz -20dB MIN
  - 100 MHz -20dB MIN
  - 200 MHz -18dB MIN
  - 300 MHz -15dB MIN
  - 400 MHz -10dB MIN
  - 500 MHz -8dB MIN
- REFLECTED CM TO DIFF CONVERSION (REF)
  - 50 MHz -30dB MIN
  - 100 MHz -27dB MIN
  - 200 MHz -24dB MIN
  - 300 MHz -22dB MIN
  - 400 MHz -21dB MIN
  - 500 MHz -20dB MIN
- REFLECTED DIFF TO CM CONVERSION (REF)
  - 1 MHz -48dB MIN
  - 100 MHz -35dB MIN
  - 400 MHz -24dB MIN
  - 500 MHz -24dB MIN
- CM TO DM CONVERSION (REF)
  - 50 MHz -48dB MIN
  - 100 MHz -42dB MIN
  - 200 MHz -36dB MIN
  - 300 MHz -33dB MIN
  - 400 MHz -30dB MIN
  - 500 MHz -28dB MIN
- CM TO CM ATTENUATION
  - 1 MHz -22dB MIN
  - 500 MHz -20dB MIN
  - 800 MHz -20dB MIN
  - 1000 MHz -17dB MIN
- CROSS TALK
  - 1 MHz -34dB MIN
  - 350 MHz -23dB MIN
  - 500 MHz -23dB MIN
- INDUCTANCE @ 100KHz, 0.1V,0mA DC BIAS
  - (P8-P9),(P3-P2),(P4-P5),(P11-P10) : 160 uH MIN
- HI-POT TEST
  - PCB SIDE TO CABLE SIDE : 1500VAC 60S OR 2250VDC 60S

SPECIFICATION:

- TO CONFORM TO SINGATRON HAZARDOUS SUBSTANCE FREE SPEC.
- GREEN PRODUCT IDENTIFICATION LABEL ON PACKAGING:
- PACKAGE: SEE "2TJ1661-100111F" PACKAGE.
- FOR REFLOW SOLDERING LEAD-FREE PROCESS.
- MATES WITH MODULAR PLUG CONFORMING TO FCC PART 68, SUBPART F.
- RJ45 SPECIFICATIONS
  - INSULATION RESISTANCE : 500 MOHMS MIN
  - INSERTION FORCE WITH THE LATCH DEPRESSED :22N MAX
  - REMOVAL FORCE WITH THE LATCH DEPRESSED :44N MAX
  - DURABILITY :750 CYCLES
- OPERATING AND STORAGE TEMPERATURE
  - OPERATING TEMPERATURE : 0°C TO +70°C
  - STORAGE TEMPERATURE : -40°C TO +85°C
- OTHER GENERAL SPEC. TO REFER "2TJ1661-100111F SPEC".



PART NO.  
2TJ1661-100111F

- SUFFIX: HALOGEN FREE
- PACKAGE TYPE: TRAY
- HOUSING COLOR: 1: BLACK
- CONTACT PLATING: 1: 15µ" GOLD ON CONTACT AREA, 100µ" TIN PLATED ON SOLDER AREA, 50µ" NICKEL UNDERPLATED OVERALL

NO	DESCRIPTION	QTY	MATERIAL	PLATING & COLOR
G	CASE	1	LCP UL 94V-0	BLACK
F	LED	2		GREEN/YELLOW
E	SHELL	1	SUS304	300"MIN NICKEL OVERALL
D	PCB	1		
C	OUTPUT CONTACT	8	C5210	SEE PART NO.
B	INPUT CONTACT	12	C2680	TIN PLATED
A	HOUSING	1	LCP UL 94V-0	BLACK

UNLESS OTHERWISE SPECIFIED TOLERANCES		信音科技(香港)有限公司	
DECIMALS:	ANGLES:	TITLE	RJ45 IMC,10GBASE-T,W/LED
X : ±0.5	X : ±2°	DWN	EVEN 2021.07.09 PART NO. 2TJ1661-100111F
X.X : ±0.3	X.X : ±1°	CHKD	SCALE 2.5:1 UNIT: mm
X.XX : ±0.2		APVD	ANGEL 2021.07.09 SIZE: A3 SHEET: 1 OF 1 REV: A
CUSTOMER COPY			