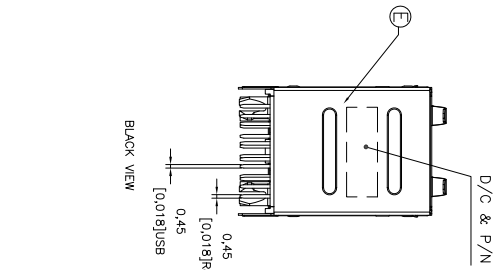
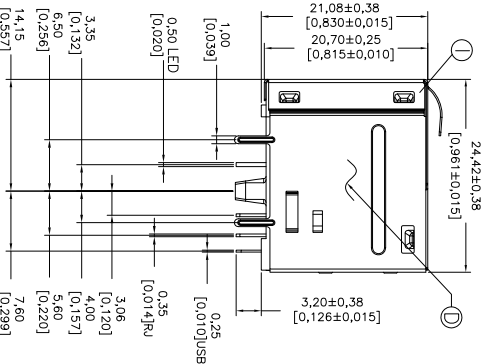


Emitting Color: Green
λp (nm): 565
Vf @ If=20mA, If @ Vf=5V: 1.7V~2.6V
I_{OMA} max:



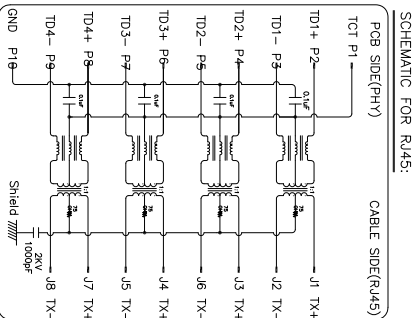
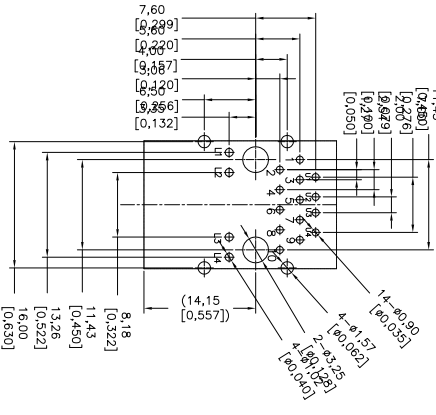
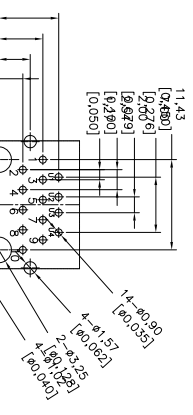
- PART NO.**
2TJ1665-000111H
- SURF. HALOGEN
 - PACKAGE: 1.79x1.45
 - HOUSING COLOR: 1. BLACK
 - CONTACT PLATING: 1. GOLD FLASH ON CONTACT AREA, 100μ" TIN PLATED ON SOLDER AREA, 30μ" NICKEL UNDERPLATED OVERALL.

- SPECIFICATION:**
- TO CONFORM TO SINGATRON HAZARDOUS SUBSTANCE FREE SPEC.
 - GREEN PRODUCT IDENTIFICATION LABEL ON PACKAGING: **[G.P. PASS]**
 - PACKAGE: SEE "2TJ1665-000111H" PACKAGE
 - FOR WAVE SOLDERING LEAD-FREE PROCESS.
 - MATES WITH MODULAR PLUG CONFORMING TO FCC PART 68 SUBPART F.
 - RJ45 SPECIFICATIONS
 - INSULATION RESISTANCE: 500 MOHMS MIN
 - INSERTION FORCE WITH THE LATCH DEJECTED: 22N MAX
 - REMOVAL FORCE WITH THE LATCH DEJECTED: 44N MAX
 - DURABILITY: 750 CYCLES

- OPERATING AND STORAGE TEMPERATURE**
- OPERATING TEMPERATURE: 0°C TO +70°C
 - STORAGE TEMPERATURE: -40°C TO +85°C

ELECTRICAL CHARACTERISTICS :

- INSERTION LOSS :
- RETURN LOSS(LOAD: 100Ω) :
- COMMON MODE REJECTION :
- GROSS TALK :-30dB MIN
- INDUCTANCE @ 100KHz, 0.1V, 8mA DC BIAS
- DCR :- (P2-3)/(P4-5)/(P6-P7)/(P8-P9) = 350 ΩH MIN
- HI-POT TEST
- PCB SIDE TO CABLE SIDE : 1500VAC 60S OR 2250VDC 80S
- TURN RATIO 100Hz
- OTHER GENERAL SPEC. TO REFER "2TJ1665-000111H SPEC"



J	LED	2	GREEN/GREEN
I	FRONT SHELL	1	SUS304
H	USB CONTACT	4	C5210
G	USB HOUSING	1	PBT UL 94V-0
F	CASE	1	LCP UL 94V-0
E	BACK SHELL	1	SUS304
D	PCB	1	
C	OUTPUT CONTACT	8	C5210
B	INPUT CONTACT	10	C2680
A	HOUSING	1	PBT UL 94V-0
NO	DESCRIPTION	QTY	MATERIAL

UNLESS OTHERWISE SPECIFIED TOLERANCES

DECIMALS: ANGLES:

X.X: ±0.5 X: ±1°
X.X.X: ±0.38 X.X: ±1'
X.XX: ±0.2

信音科技(香港)有限公司

RJ45 IMC, 1000BASE-T+USB2.0

REV.1

PART NO. 2TJ1665-000111H

SCALE: 2.5:1 UNIT: mm

SIZE: A3 SHEET: 1 OF 1

REV.4

CUSTOMER COPY

