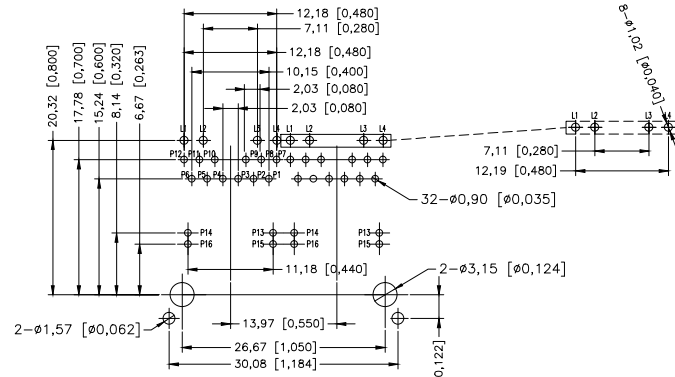
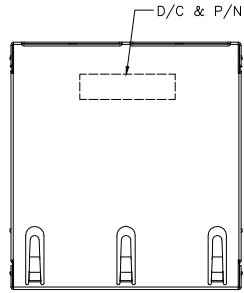


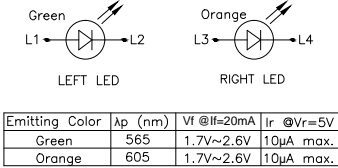
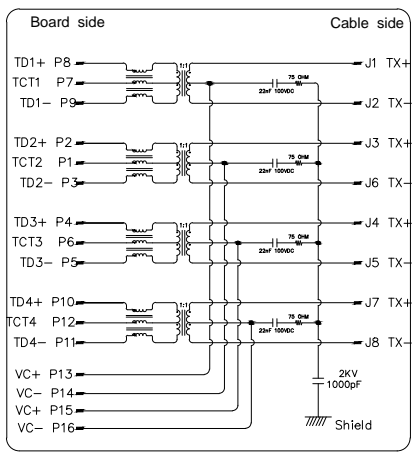
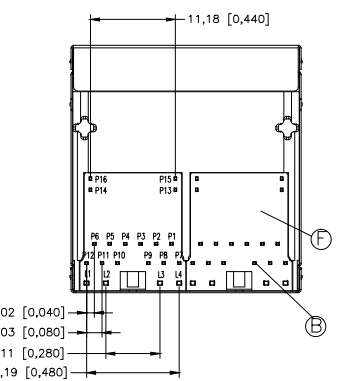
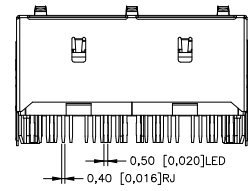
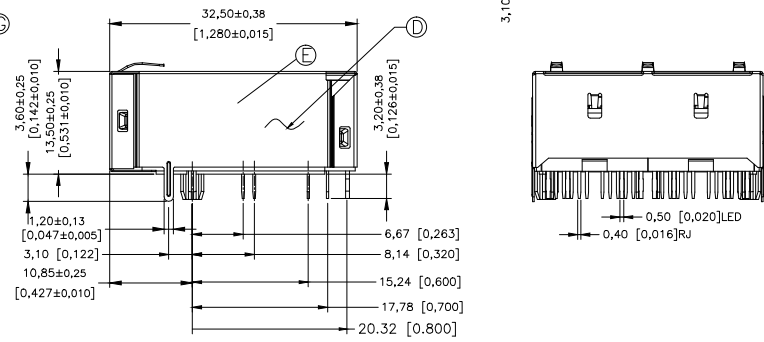
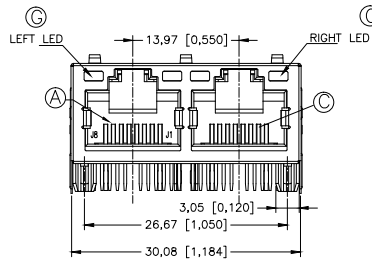
REV.	ECN NO OR DESCRIPTION	REVISED	DATE
A	PDR RELEASE	EVEN	2022.06.28



- SPECIFICATION:**
- TO CONFORM TO SINGATRON HAZARDOUS SUBSTANCE FREE SPEC.
  - GREEN PRODUCT IDENTIFICATION LABEL ON PACKAGING: **G.P. PASS**
  - PACKAGE: SEE "2TJ1668-000111H" PACKAGE.
  - FOR WAVE SOLDERING LEAD-FREE PROCESS.
  - MATES WITH MODULAR PLUG CONFORMING TO FCC PART 68, SUBPART F.
  - RJ45 SPECIFICATIONS
    - INSULATION RESISTANCE : 500 MOHMS MIN
    - INSERTION FORCE WITH THE LATCH DEPRESSED :22N MAX
    - REMOVAL FORCE WITH THE LATCH DEPRESSED :44N MAX
    - DURABILITY :750 CYCLES
  - OPERATING AND STORAGE TEMPERATURE
    - OPERATING TEMPERATURE : 0°C TO +70°C
    - STORAGE TEMPERATURE : -40°C TO +85°C
  - OTHER GENERAL SPEC. TO REFER "2TJ1668-000111H SPEC".

**ELECTRICAL CHARACTERISTICS :**

- INSERTION LOSS :
  - 1~100 MHz -1.0dB MAX.
- RETURN LOSS(LOAD 100Ω) :
  - 1~30 MHz -18dB MIN
  - 30~60 MHz -16dB MIN
  - 60~80 MHz -12dB MIN
  - 80~100 MHz -10dB MIN
- COMMON MODE REJECTION
  - 1~100 MHz -30dB MIN
- CROSS TALK
  - 1~100 MHz -30dB MIN
- INDUCTANCE @ 100KHz, 0.1V, 8mA DC BIAS
  - (P8-P9),(P2-P3),(P4-P5),(P10-P11) : 350 uH MIN
- HI-POT TEST
  - PCB SIDE TO CABLE SIDE : 1500VAC 60S OR 2250VDC 60S
- TURN'S RATION 100KHz
  - (P8-P9) : (J1-J2) = 1:1 ±5%
  - (P2-P3) : (J3-J6) = 1:1 ±5%
  - (P4-P5) : (J4-J5) = 1:1 ±5%
  - (P10-P11) : (J7-J8) = 1:1 ±5%
- BALANCED DC LINE CURRENT
  - 360mA MAX@5VDC CONTINUOUS



**PART NO. 2TJ1668-000111H**

- SUFFIX: HALOGEN PACKAGE
- 1: TRAY
- HOUSING COLOR 1: BLACK
- CONTACT PLATING 1: GOLD FLASH(1μMIN) ON CONTACT AREA 100μ" TIN PLATED ON SOLDER AREA 30μ" NICKEL UNDERPLATED OVERALL

G	LED	4	GREEN/ORANGE	
F	CASE	1	LCP UL 94V-0	BLACK
E	SHELL	1	SUS304	30u" MIN .NICKEL
D	PCB	1		
C	OUTPUT CONTACT	16	C5210	SEE PART NO.
B	INPUT CONTACT	32	C2680	TIN PLATED
A	HOUSING	1	PA6T UL 94V-0	BLACK
NO	DESCRIPTION	QTY	MATERIAL	PLATING & COLOR

UNLESS OTHERWISE SPECIFIED TOLERANCES

信音科技(香港)有限公司

TITLE	RJ45 IMC,1X2,1GBASE-T,W/POE		
DWN	EVEN 2022.06.28	<b>PART NO. 2TJ1668-000111H</b>	
CHKD		SCALE 2.5:1	UNIT: mm
APVD	ANGELA 2022.06.28	SIZE: A3	SHEET: 1 OF 1
<b>CUSTOMER COPY</b>			