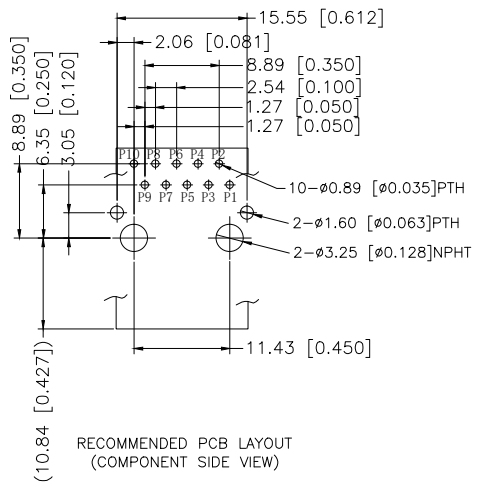
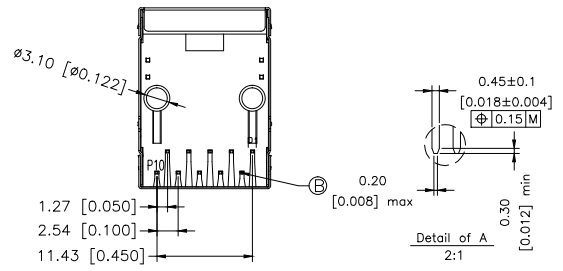
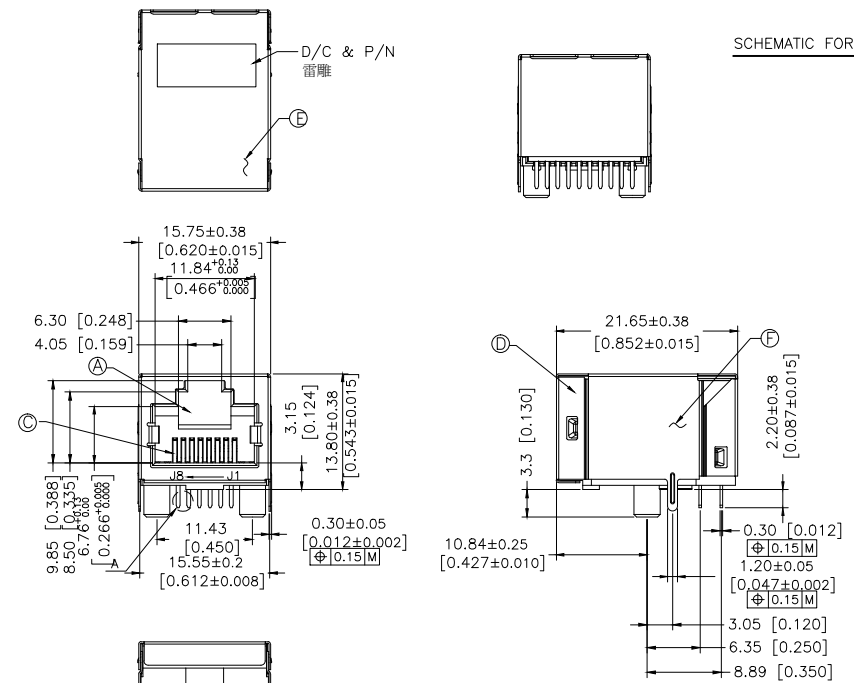
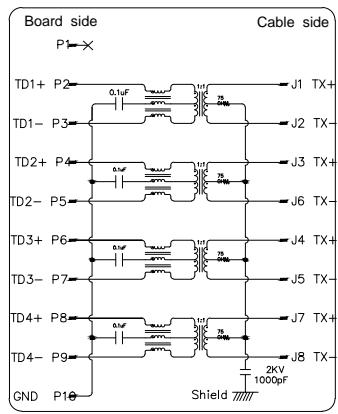


1 2 3 4 5 6 7 8

REV.	ECN NO OR DESCRIPTION	REVISED	DATE
A	PDR RELEASE	Even	2022.10.17

SCHEMATIC FOR RJ45:



PART NO.
2TJ1671-000111F

- SUFFIX: HALOGEN FREE
- PACKAGE 1: TAPE
- HOUSING COLOR 1: BLACK
- CONTACT PLATING 1: 30u" GOLD ON CONTACT AREA, 100u" MIN TIN PLATED ON SOLDER AREA, 30u" MIN NICKEL UNDERPLATED OVERALL

- SPECIFICATION:
- TO CONFORM TO SINGATRON HAZARDOUS SUBSTANCE FREE SPEC.
 - GREEN PRODUCT IDENTIFICATION LABEL ON PACKAGING.
 - PACKAGE: SEE "2TJ1671-000111F" PACKAGE.
 - FOR REFLOW SOLDERING LEAD-FREE PROCESS.
 - MATES WITH MODULAR PLUG CONFORMING TO FCC PART 68, SUBPART F.
 - RJ45 SPECIFICATIONS
 - INSULATION RESISTANCE : 500 MOHMS MIN
 - DIELECTRIC WITHSTANDING VOLTAGE : 1500 VAC FOR 1 MINUTE
 - DURABILITY TEST RATING
 - INSERTION FORCE WITH THE LATCH DEPRESSED :22N MAX
 - REMOVAL FORCE WITH THE LATCH DEPRESSED :75N MAX
 - DURABILITY :5000 CYCLES
 - OPERATING AND STORAGE TEMPERATURE
 - OPERATING TEMPERATURE : -40°C TO +100°C
 - STORAGE TEMPERATURE : -40°C TO +100°C
 - OTHER GENERAL SPEC. TO REFER "2TJ1671-000111F SPEC".

ELECTRICAL CHARACTERISTICS :

- INSERTION LOSS :
 - 1-400 MHz -2.0dB MAX
- RETURN LOSS(LOAD 1000) :
 - 1 MHz -20dB MIN
 - 100 MHz -20dB MIN
 - 200 MHz -18dB MIN
 - 300 MHz -15dB MIN
 - 400 MHz -10dB MIN
 - 500 MHz -9dB MIN
- CM TO CM ATTENUATION
 - 1-100 MHz -25dB MIN
 - 100-500 MHz -20dB MIN
- CROSS TALK
 - 1-100 MHz -28dB MIN
 - 100-500 MHz -19dB MIN
- INDUCTANCE @ 100KHz, 0.1V
 - (P2-P3),(P4-P5),(P6-P7),(P8-P9) : 120 uH MIN
- HI-POT TEST
 - PCB SIDE TO CABLE SIDE : 1500VAC 60S OR 2250VDC 60S
- URNS RATION 100KHz
 - (P2-P3) : (J1-J2) = 1:1 ±%3
 - (P4-P5) : (J3-J6) = 1:1 ±%3
 - (P6-P7) : (J4-J5) = 1:1 ±%3
 - (P8-P9) : (J7-J8) = 1:1 ±%3

F	PCB	1		
E	CASE	1	LCP UL 94V-0	BLACK
D	SHELL	1	SUS 304	NICKEL 30u" MIN.
C	OUTPUT CONTACT	8	C5210	SEE PART NO.
B	INPUT CONTACT	10	C2680	TIN PLATED
A	HOUSING	1	LCP UL 94V-0	BLACK
NO	DESCRIPTION	QTY	MATERIAL	PLATING & COLOR

UNLESS OTHERWISE SPECIFIED TOLERANCES		信音科技(香港)有限公司		
DECIMALS:	ANGLES:	TITLE	RJ45 IMC,10G BASE-T,W/O LED	
X :±0.5	X :±2°	DWN	EVEN 2022.10.17 PART NO. 2TJ1671-000111F	
X.X :±0.3	X.X :±1°	CHKD	SCALE 2.5:1	UNIT: mm
X.XX :±0.2		APVD	ANGELA 2022.10.17	SIZE: A3 SHEET: 1 OF 1 REV:A
CUSTOMER COPY				