

APPROVAL SHEET

To :

Customer P/N :

SINGATRON P/N : 2TJ26-25A24KB93-5

Description : RJ45 1X1 Tab Up
Through Hole
10/100/1000 Base-T
Contact Area : 30 μ " Gold
LED: L-Orange/Green;R-Yellow
Without RJ11 keepout spring



Spec No. Update Date Revision
26-0157-00 3/6/2014 A

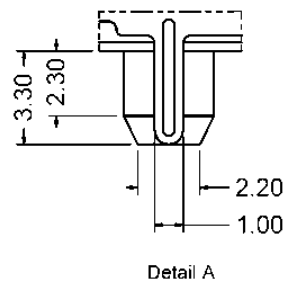
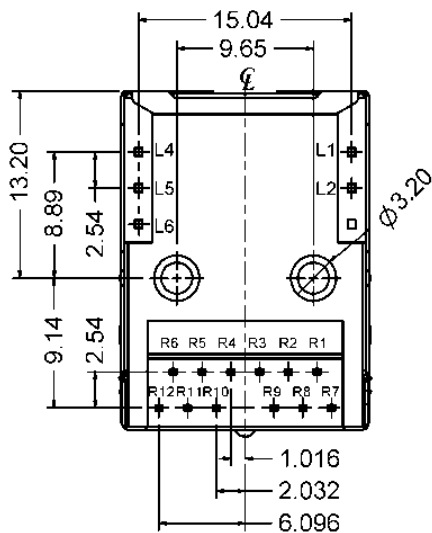
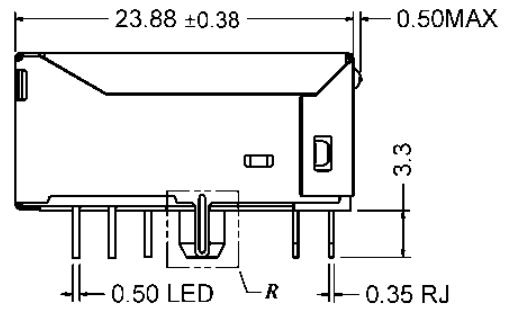
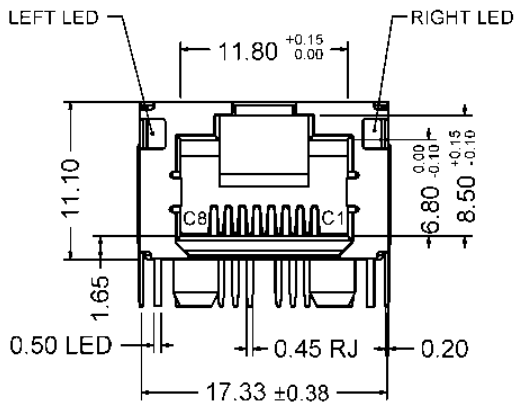
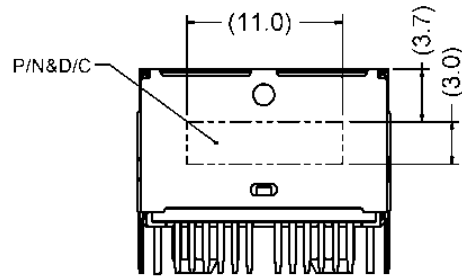
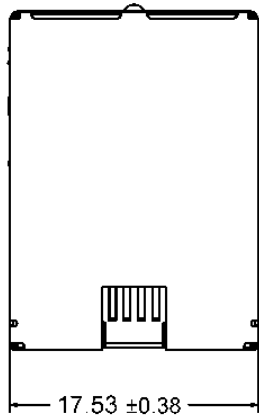
Approved	Checked	Prepared

SINGATRON (U.S.A.)
13925 Magnolia Ave
Chino, CA 91710. USA

1. MECHANICAL DIMENSION

1.1 Product Dimension

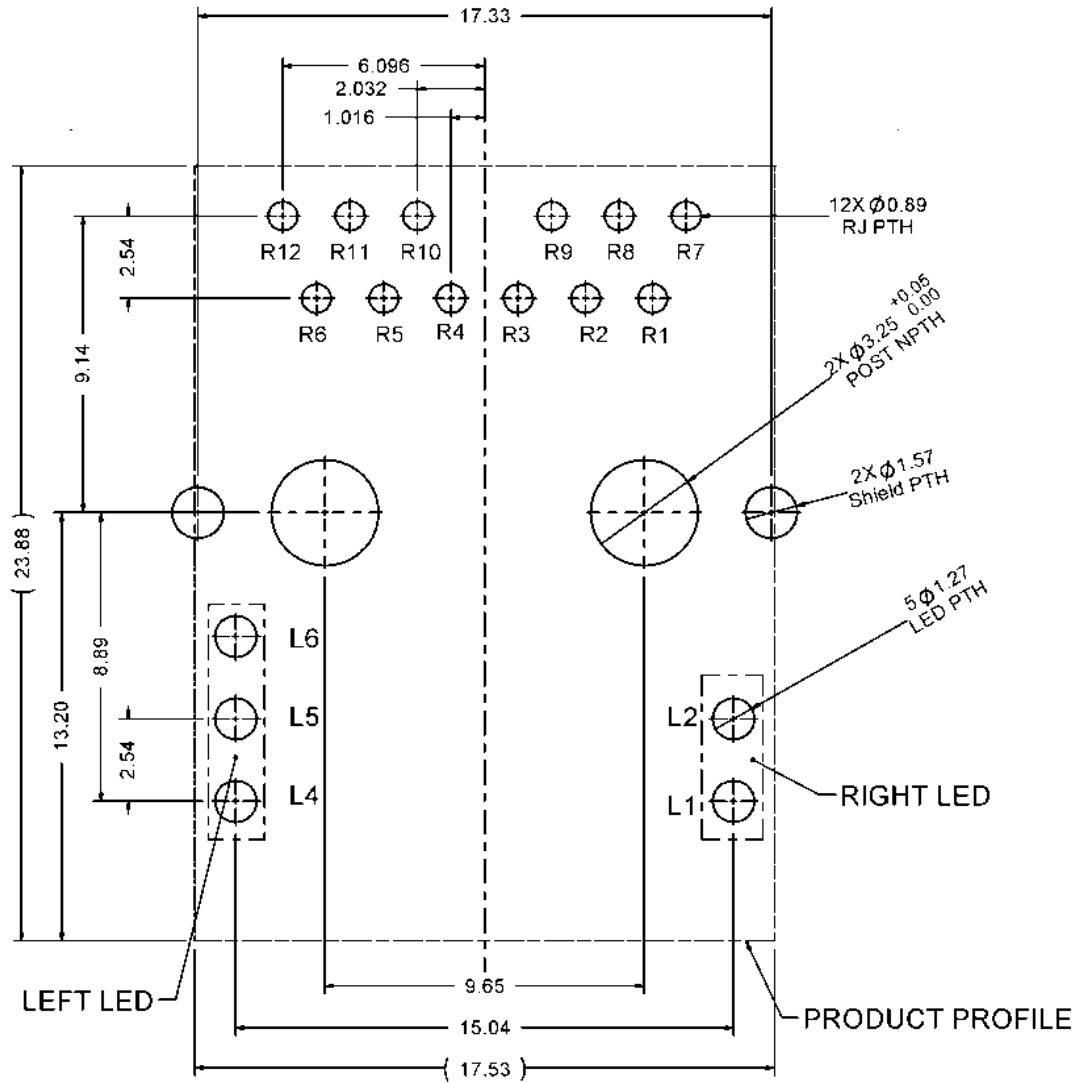
	X.X : ± 0.38
General Tolerance :	X.XX : ± 0.25
	X.XXX : ± 0.13



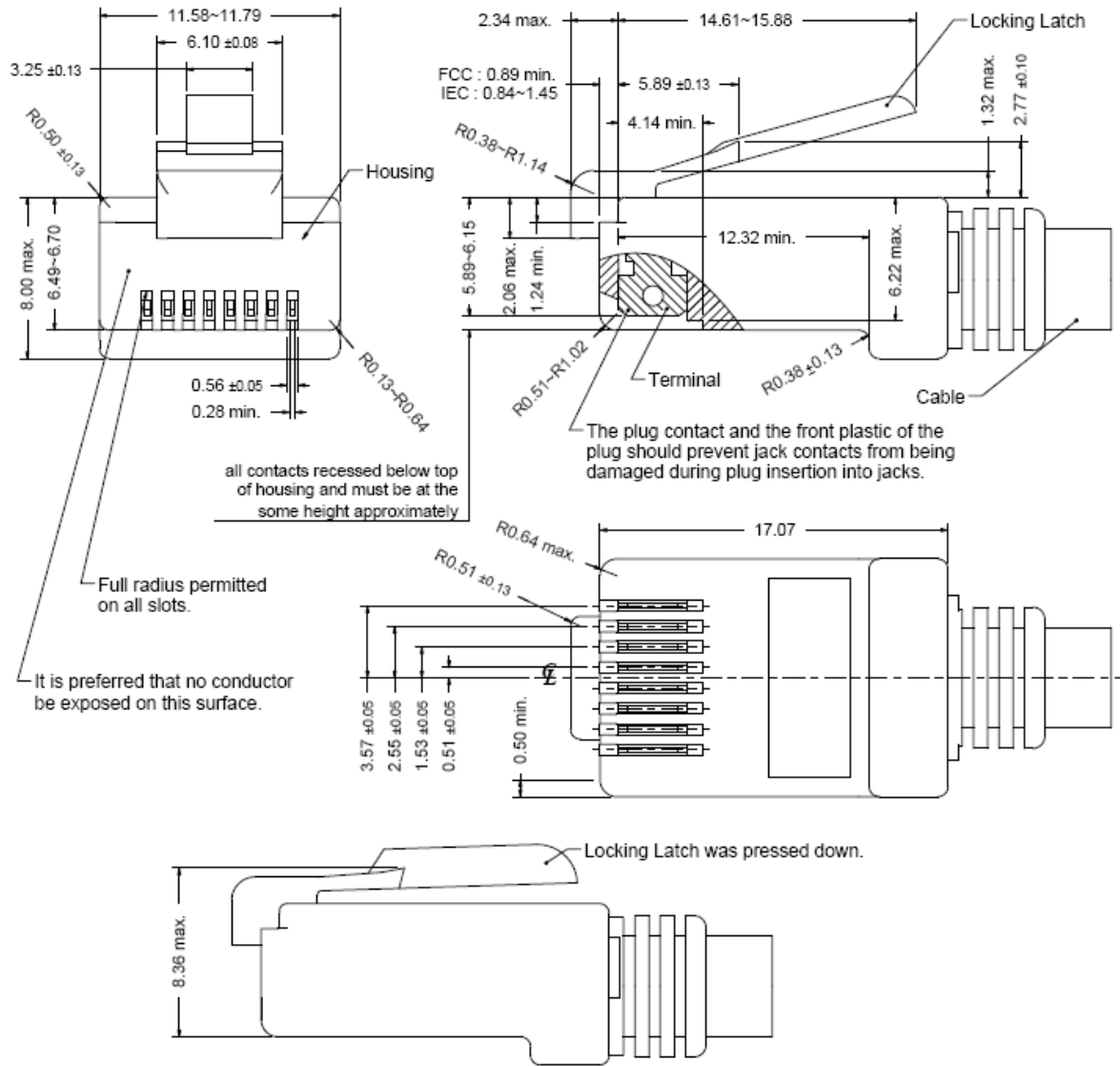
1.2 Recommended PCB Layout

Component Side of Board

All dimension tolerances are $\pm 0.05\text{mm}$ unless otherwise specified



1.3 Standard RJ45 Plug Specification



- All dimensions follow :

FCC subpart F, 68,500, Figure (C)(2)(i) & (C)(2)(ii) & (C)(3)(i)

IEC 60603-7

- All plugs must be meeting the requirements of plug Go & No-Go gauge.

Gauge follow : FCC subpart F, 68,500, Figure (C)(4)(i) & (C)(5)(i)

- There must be no damage to Housing and Locking Latch.

- There must be no nicks and cuts in cable.

- Durability : 750 cycles generally

2. REQUIREMENTS

2.1 Design and Construction

Product shall be of design, construction and physical dimensions specified on applicable.

2.2 Material

2.2.1 Terminal Parts (Underplating : 50 μ " min. Nickel overall)

2.2.1.1 RJ Terminal : PH. Bronze, Thickness=0.30mm

Finish : Contact Area : 30 μ " Gold

2.2.1.2 Input Terminal : Brass, Thickness=0.35mm

Finish : 100 μ " min. Tin

2.2.2 Plastic Parts <UL94V-0>

2.2.2.1 Housing : PA6T, Black

2.2.2.2 Case : PBT, Black

2.2.2.3 Spacer : PBT, Black

2.2.3 Shield Parts

Shield : Stainless Steel, Thickness=0.20mm, Pre-soldering

2.3 Operating and Storage Temperature

Operating Temperature : 0°C to +70°C

Storage Temperature : -40°C to +85°C

2.4 RJ45 specifications

Insulation Resistance : 500MΩ min.

Insertion force with the latch depressed : 22N max

Removal force with the latch depressed : 44N max

Locking Force of Plug Latch : 50N min. @ 60+/-5 sec

Durability : 2500 cycles

2.5 Performance and Test Description

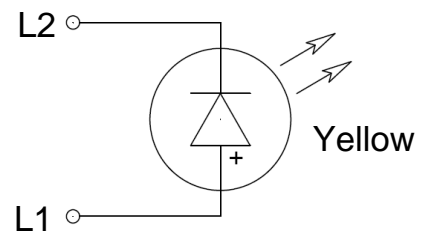
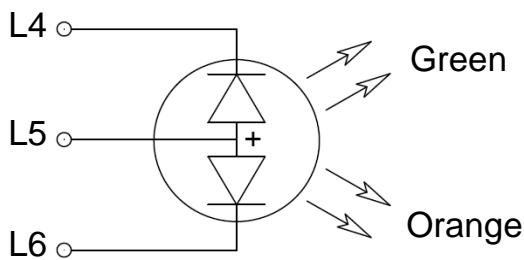
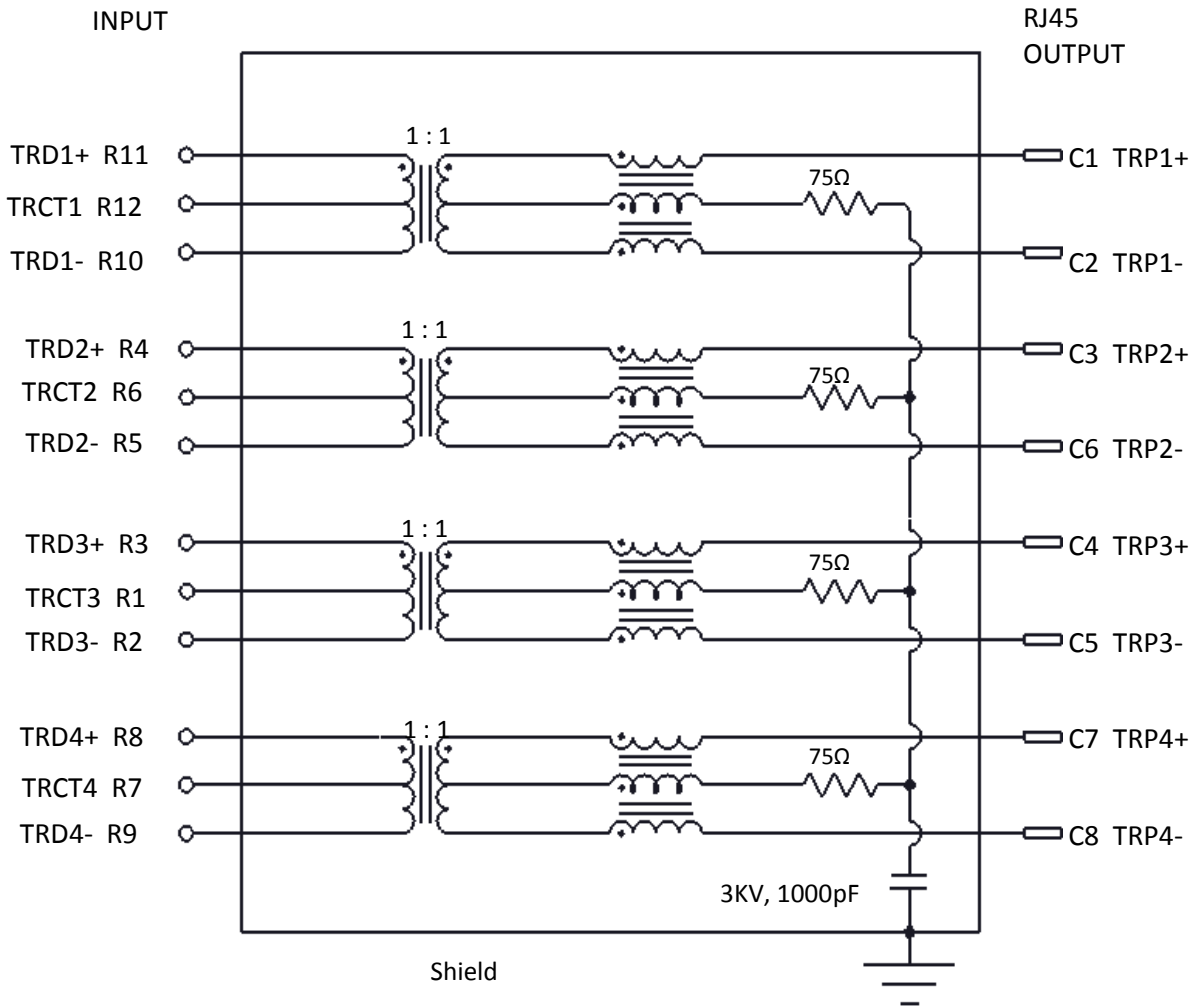
Product is designed to meet electrical, mechanical and environmental performance requirements specified in below table. All tests are performed at ambient environmental conditions per MIL-STD-1344A and EIA-364 unless otherwise specified.

2.6 Packaging and Packing

All parts shall be packaged and packed to protect against physical damage 、 corrosion and deterioration during shipment and storage.

3. ELECTRICAL CHARACTERISTICS

3.1 Schematic



Emitting Color	λ_p (nm)	V_f @ $I_f=20\text{mA}$	I_r @ $V_r=5\text{V}$
Green	565	1.7 ~ 2.6 V	10 μA max.
Orange	610	1.7 ~ 2.6 V	10 μA max.
Yellow	585	1.7 ~ 2.6 V	10 μA max.

3.2 Transmitter filter & Receiver filter

Type : Balance low pass 100Ω impedance

Insertion loss : 1~100 MHz -1.0dB max.

Return loss : 1~30 MHz -21dB min. load 100Ω

30~60MHz -19dB min. load 100Ω

60~80MHz -15dB min. load 100Ω

80~100MHz -13dB min. load 100Ω

3.3 Common Mode Rejection

@ 1~100 MHz -30dB min.

3.4 Cross Talk

@ 1~100 MHz -30dB min.

3.5 Inductance @ 100KHz, 0.1V, 8mA DC BIAS

Input (R11-R10), Input(R4-R5), Input (R3-R2), Input(R8-R9): 350 μH min.

3.6 HiPot Test

Input(R11-R10) To Output(C1-C2) : 1500Vac 60s or 2250Vdc 60s

Input(R4-R5) To Output(C3-C6) : 1500Vac 60s or 2250Vdc 60s

Input(R3-R2) To Output(C4-C5) : 1500Vac 60s or 2250Vdc 60s

Input(R8-R9) To Output(C7-C8) : 1500Vac 60s or 2250Vdc 60s

4. ORDER INFORMATION

2TJ26 - 25A 24 KB9 3 - 5
 A B C D E

A. Mechanical Code :

w/o Spring

B. LED Code :

L-Orange/Green;R-Yellow. <Refer to Schematic of LED>

C. Schematics Code :

KB9 : KB9 circuit

D. Plating Code :

Solder Tail : 100 μ " min. Matted Tin

Contact Area - 1 : Gold Flash

6 : 5 microinches Gold plating

5 : 10 microinches Gold plating

2 : 15 microinches Gold plating

3 : 30 microinches Gold plating

4 : 50 microinches Gold plating

E. Packing & Logo Code :

Packing with Tray, w/o UDE Logo

5. DIPPING TEMPERATURE PROFILE

Note :

The measuring point for the specified temperature shall be on the soldered part of the lead.

