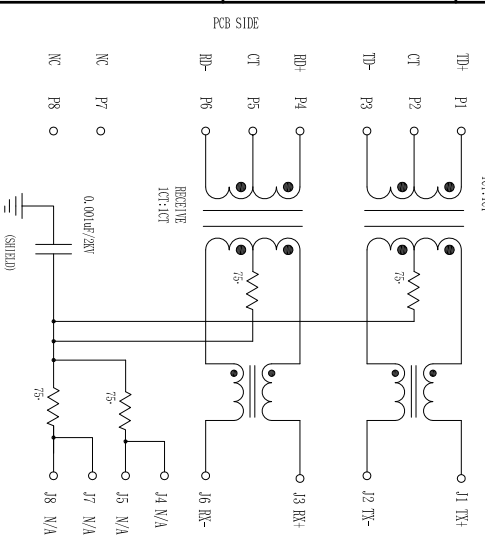


Schematic



RECOMMENDED P.C.B LAYOUT TOP VIEW
(COMPONENT SIDE DIM±0.05)

- SPECIFICATIONS:**
- ELECTRICAL CHARACTERISTICS:**
 - RATING: DC115V, 1.5A MAX.
 - CONTACT RESISTANCE: 45 MILLIOHMS Max. FOR INITIAL, 1-3. INSULATION RESISTANCE: 500 MEGAOHMS Min. BY 500V DC AFTER 1 MINUTE.
 - DIELECTRIC WITHSTANDING VOLTAGE: 500V RMS AFTER 1 MINUTE.
 - OCL: 350uH@100KHz/0.2V With 8mA DC Bias
 - Turns Ratio(±5%): 1CT:1CT(TX); 1CT:1CT(RX)
 - Inserting Loss: -1.1dB MAX@0.3-100MHz;
 - Return Loss: -16dB MIN@1-30MHz
-13dB MIN@30-60MHz
-10dB MIN@60-80MHz
 - Cross Talk: -40dB MIN@0.3-30MHz
-35dB MIN@30-60MHz
-30dB MIN@60-100MHz
 - CMR: -30dB MIN@1-30MHz
-25dB MIN@30-60MHz
 - HI-POT: 1500Vrms
 - MECHANICAL CHARACTERISTICS:
 - INSERTION FORCE : 0.30KGF OR MORE PER PIN.
 - LIFE TEST: 1500 CYCLES MIN.
 - TO CONFORM TO SINGATRON HAZARDOUS SUBSTANCE FREE SPEC.
 - GREEN PRODUCT IDENTIFICATION LABEL ON PACKAGING: [G.P. PASS]
 - PACKAGING: TRAY

7. PART NO.

21J2Y02-0 00 1 1 1 1
 HUOSING MATERIAL
 0=THERMOPLASTIC
 CONTACT AREA PLATED
 00=G/F
 LED TYPE
 1=W/ LED

PACKAGE TYPE
 1=SOFT TRAY
 ON BOARD TYPE
 1=R/A

E	CONTACT	8	COPPER ALLOY	GOLD FLASH ON CONTACT AREA TIN PLATED ON SOLDER AREA
D	CONTACT BRACKET	1	HING TEMP THERMOPLASTIC (E: 94T-0)	BLACK COLOR
C	PCB	1	BAKED LITE	BLACK COLOR
B	HOUSING	1	HING TEMP THERMOPLASTIC (E: 94T-0)	BLACK COLOR
A	SHEEL	1	COPPER ALLOY T-0-20	NI PLATED
NO	DESCRIPTION	QTY	MATERIAL	PLATING & COLOR

UNLESS OTHERWISE SPECIFIED TOLERANCES:
 DECIMALS: ANGLES:
 X : ±0.5 X : ±2°
 X.X : ±0.3 X.X : ±1°
 X.XX : ±0.2

信音企業股份有限公司
 Singatron Enterprise Co., Ltd.
 RJ45 WITH TRANSFORMER CONNECTOR
 PART NO. 21J2Y02-000111
 SCALE 1:1
 SIZE: A4
 SHEET: 10F1
 REV: B
 CUSTOMER COPY

REV.	ECN NO OR DESCRIPTION	REVISED	DATE
A	INITIAL RELEASE	CHRIS	04/25/11
B	MODIFY MATERIAL	CHRIS	06/08/11