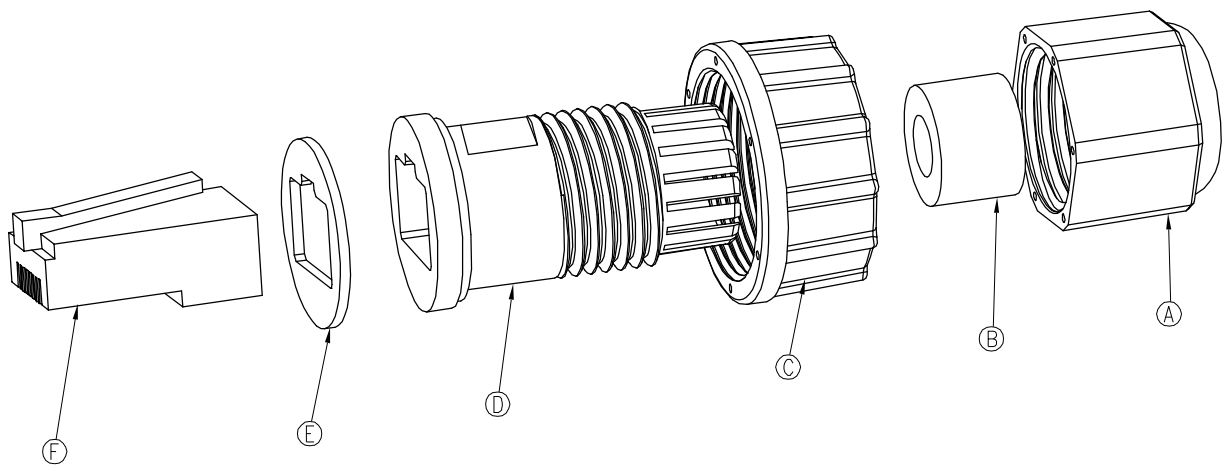


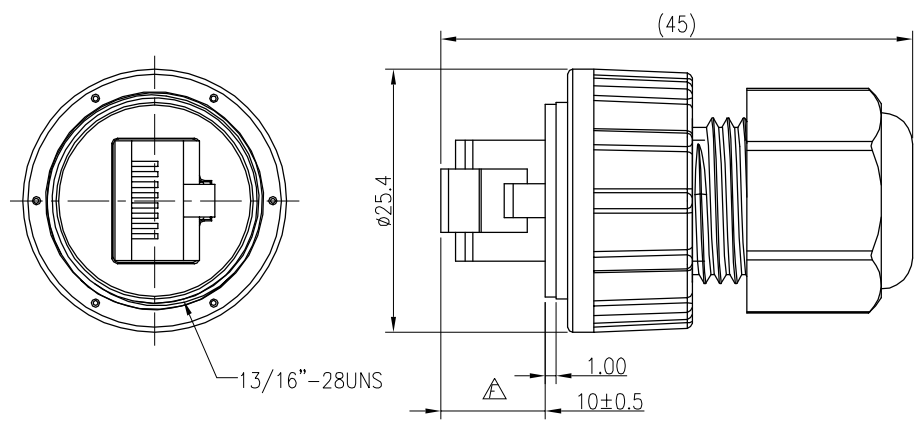
1 2 3 4 5 6 7 8

REV.	ECN NO OR DESCRIPTION	REVISED	DATE
A	PDR NO.:S110112-2A	Shawn	2011.03.02
B	ECR NO.:S110430	Shawn	2011.04.25
C	ECR NO.:S130571	Shawn	2013.09.29
D	ECN NO.:S160542-C \triangle	Yang	2016.05.26
E	ECN NO.:S202211-R09	MF	2022.11.15
F	ECN NO.:S202306-C10	JAY	2023.06.13



NOTES:

- WATERPROOF RATE: IP67(WHEN PROPERLY MATED)
IP67: IMMERSED IN 1M WATER FOR 30 MINUTES
- ELECTRICAL CHARACTERISTICS:
 - RATING:125V 1.5A
 - CONTACT RESISTANCE: 30mΩ MAX.(INITIAL)
 - DIELECTRIC WITHSTANDING VOLTAGE: 750V AC FOR ONE MINUTE
 - INSULATION RESISTANCE: 500MΩ MIN. MEASURED BY 500 VDC
- OTHER GENERAL SPEC. TO REFER "RJ45 SERIES SPEC".
- SEAL FOR CABLE OD:φ3.5mm~φ5.5mm
- TO CONFORM TO SINGATRON HAZARDOUS SUBSTANCE FREE SPEC.
- GREEN PRODUCT IDENTIFICATION LABEL ON PACKAGING: **G.P. PASS**



F	RJ45 PLUG	1	8P8C PLUG SHIELD	N/A
E	GASKET	1	SILICONE	BLACK
D	CLAMP RING	1	PC 9330	BLACK
C	SCREW NUT	1	PC 9330	BLACK
B	SEAL	1	EPDM	BLACK
A	SEALING NUT	1	PC 9330	BLACK

NO	DESCRIPTION	QTY	MATERIAL	PLATING & COLOR
UNLESS OTHERWISE SPECIFIED TOLERANCES		Suzhou Singatron Auto Electronics CO.,LTD. 蘇州信音汽車電子有限公司		
DECIMALS:	ANGLES:	TITLE WATERPROOF RJ45 PLUG		
X :±0.5	X :±2°	DWN	JAY	PART NO.2TJ3000-W05106
X.X :±0.3	X.X :±1'	CHKD	MF	SCALE 1:1 UNIT: mm
X.XX :±0.2		APVD	JF	SIZE: A3 SHEET:1 OF 1 REV: F
CUSTOMER COPY				

1 2 3 4 5 6 7 8