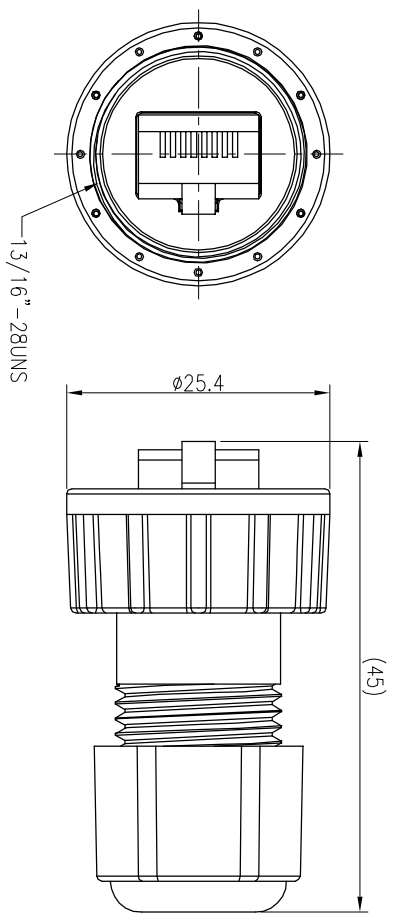
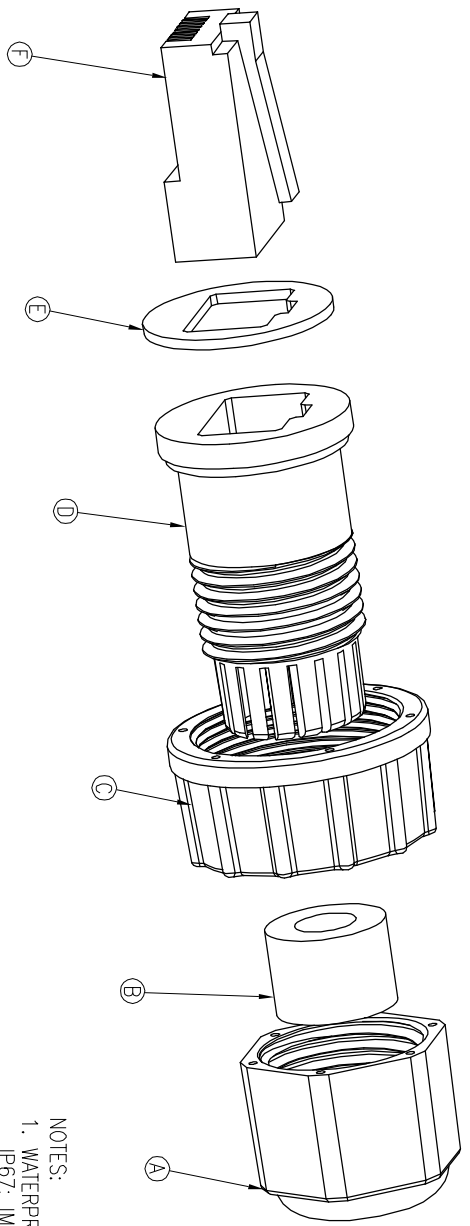


REV.	ECN NO.	OR DESCRIPTION	REVISED	DATE
A	PDR NO.:T160718-5A	JF		2016.10.10
B	ECN NO.:S202211-R09	MF		2022.11.15



- NOTES:
1. WATERPROOF RATE: IP67(WHEN PROPERLY MATED)
IP67: IMMERSED IN 1M WATER FOR 30 MINUTES
 2. ELECTRICAL CHARACTERISTICS:
 - 1-1. RATING:125V 1.5A
 - 1-2. CONTACT RESISTANCE: 30mΩ MAX.(INITIAL)
 - 1-3. DIELECTRIC WITHSTANDING VOLTAGE: 750V AC FOR ONE MINUTE
 - 1-4. INSULATION RESISTANCE: 500MΩ MIN. MEASURED BY 500 VDC
 3. SEAL FOR CABLE OD:φ6.5mm~φ8.5mm
 4. OTHER GENERAL SPEC. TO REFER "RJ45 SERIES SPEC".
 5. TO CONFORM TO SINGATRON HAZARDOUS SUBSTANCE FREE SPEC.
 6. GREEN PRODUCT IDENTIFICATION LABEL ON PACKAGING: **GREEN**

△B

F	RJ45 PLUG	1	8P8C SHIELD	N/A
E	GASKET	1	SILICONE	BLACK
D	CLAMP RING	1	PC	BLACK
C	SCREW NUT	1	PC	BLACK
B	SEAL	1	EPDM	BLACK
A	SEALING NUT	1	PA66	BLACK
NO	DESCRIPTION	QTY	MATERIAL	PLATING & COLOR
UNLESS OTHERWISE SPECIFIED TOLERANCES				
 Suzhou Singatron Auto Electronics CO.,LTD. 苏州信誉汽车电子有限公司				
TITLE WATERPROOF RJ45 STP PLUG				
DWN	WF	PART NO.:2733000-W05114H		
CHKD	JF	SCALE 1:1	UNIT: mm	
APVD	Steve	SIZE: A3	SHEET: 1 OF 1	REV: B

DECIMALS:	ANGLES:
X :±0.5	X :±2°
X.X :±0.3	X.X :±1°
X.XX :±0.2	

CUSTOMER COPY