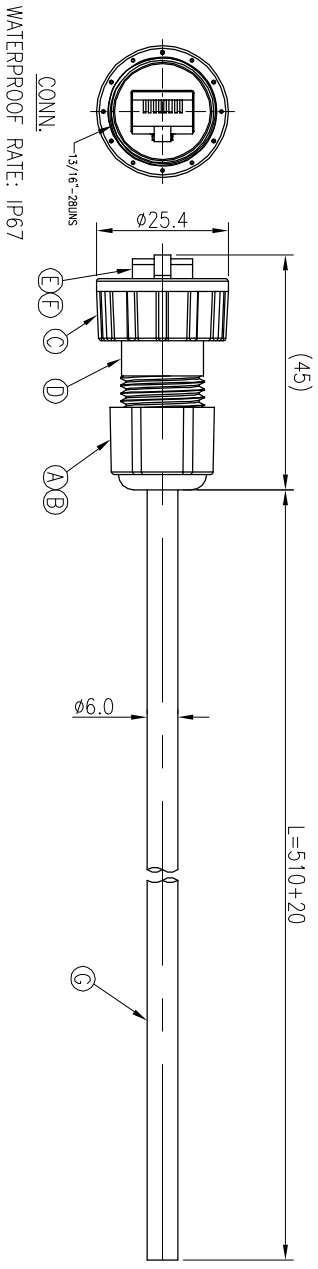


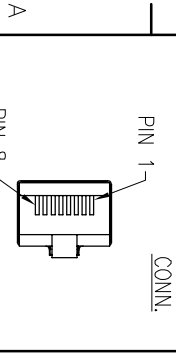
REV.	ECN NO OR DESCRIPTION	REVISED	DATE
A	PDR NO.:A181226-6A	JAY	2019.03.18
B	ECN NO.:S202211-R09	MF	2022.11.15



WATERPROOF RATE: IP67

SHIELD	DRAIN
8	BROWN
7	BROWN/WHITE
6	GREEN
5	BLUE/WHITE
4	BLUE
3	GREEN/WHITE
2	ORANGE
1	ORANGE/WHITE

CONN.	WIRE COLOR
1	PIN OUT



Pin Assignments  
Front View

- NOTES:
1. WATERPROOF RATE: IP67(WHEN PROPERLY MATED)  
IP67: IMMERSED IN 1M WATER FOR 30 MINUTES
  2. ELECTRICAL CHARACTERISTICS:
    - 1-1. RATING:125V 1.5A
    - 1-2. CONTACT RESISTANCE: 30mΩ MAX.(INITIAL)
    - 1-3. DIELECTRIC WITHSTANDING VOLTAGE: 750V AC FOR ONE MINUTE
    - 1-4. INSULATION RESISTANCE: 500MΩ MIN. MEASURED BY 500 VDC

3. OTHER GENERAL SPEC. TO REFER "RJ45 SERIES SPEC".
4. TO CONFORM TO SINGATRON HAZARDOUS SUBSTANCE FREE SPEC.
5. GREEN PRODUCT IDENTIFICATION LABEL ON PACKAGING:

G	CABLE	1	CAT.5e FTP 24AWG*4P +My+D+Al/My	BLACK (UL813)
F	RJ45 PLUG	1	CAT5E RJ45 FTP PLUG	N/A
E	GASKET	1	SILICONE	BLACK
D	CLAMP RING	1	PC 9330	BLACK
C	SCREW NUT	1	PC 9330	BLACK
B	SEAL	1	EPDM	BLACK
A	SEALING NUT	1	PA66 FR370	BLACK
NO	DESCRIPTION	QTY	MATERIAL	PLATING & COLOR

UNLESS OTHERWISE SPECIFIED TOLERANCES

DECIMALS:	ANGLES:
X :±0.5	X :±2°
X.X :±0.3	X.X :±1°
X.XX :±0.2	

Suzhou Singatron Auto Electronics CO.,LTD.  
蘇州信營汽車電子有限公司

TITLE WATERPROOF RJ45 PLUG

DWN	MF	PART NO.27J3000-W05128H	
CHKD	JF	SCALE 1:1	UNIT: mm
APVD	Steve	SIZE: A3	SHEET: 1 OF 1

CUSTOMER COPY