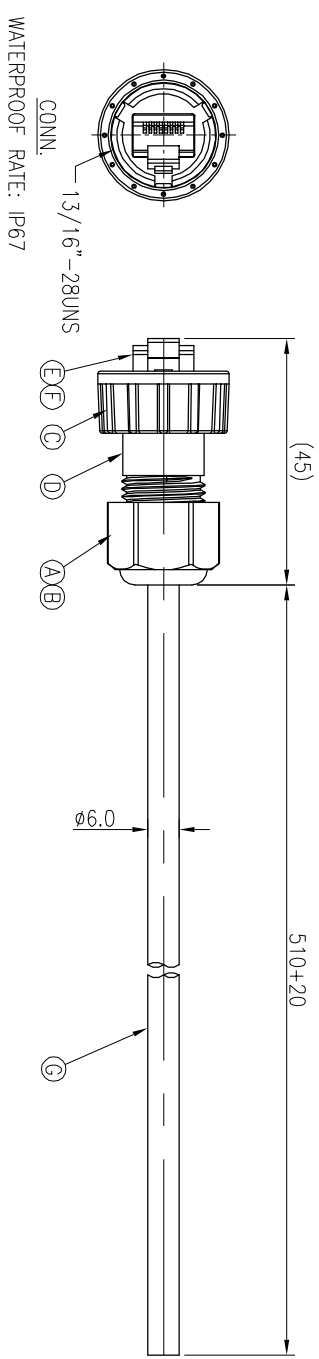
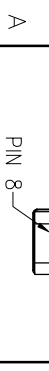


REV.	ECN NO.	OR DESCRIPTION	REVISED	DATE
A	PDR NO.:A190307-5B		JF	2021.02.02
B	ECN NO.:S202211-R09		MF	2022.11.15



C	SHIELD	DRAIN
8	BROWN	
7	BROWN/WHITE	
6	GREEN	
5	BLUE/WHITE	
4	BLUE	
3	GREEN/WHITE	
2	ORANGE	
1	ORANGE/WHITE	

B	CONN.	WIRE COLOR
1	ORANGE/WHITE	
2	ORANGE	
3	GREEN/WHITE	
4	BLUE	
5	BLUE/WHITE	
6	GREEN	
7	BROWN/WHITE	
8	BROWN	



Pin Assignments  
Front View

- NOTES:
1. WATERPROOF RATE: IP67  
IP67: IMMERSSED IN 1M WATER FOR 30 MINUTES
  2. RATING:125V 1.5A
  3. OTHER GENERAL SPEC. TO REFER "RJ45 SERIES SPEC".
  4. TO CONFORM TO SINGATRON HAZARDOUS SUBSTANCE FREE SPEC.
  5. GREEN PRODUCT IDENTIFICATION LABEL ON PACKAGING: **GREEN PASS**
  6. FOR PANEL THICKNESS MAX OF 5.5mm

G	CABLE	1	CAT.5e FTP 24AWG*4P +My+D+Al/My	BLACK (UL813)
F	RJ45 PLUG	1	CAT5E RJ45 FTP PLUG	N/A
E	GASKET	1	SILICONE	BLACK
D	CLAMP RING	1	PC 9330	BLACK
C	LOCK NUT	1	PC 9330	BLACK
B	SEAL	1	EPDM	BLACK
A	SEALING NUT	1	PA66 FR370	BLACK
NO	DESCRIPTION	QTY	MATERIAL	PLATING & COLOR

UNLESS OTHERWISE SPECIFIED TOLERANCES

DECIMALS:	ANGLES:
X :±0.5	X :±2°
X.X :±0.3	X.X :±1°
X.XX :±0.2	

TITLE	Suzhou Singatron Auto Electronics CO.,LTD. 蘇州信營汽車電子有限公司			
DWN	WF	PART NO.2713000-W05132H	SCALE 1:1	UNIT: mm
CHKD	JF	SIZE: A3	SHEET: 1 OF 1	REV: B
APVD	Steve	CUSTOMER COPY		