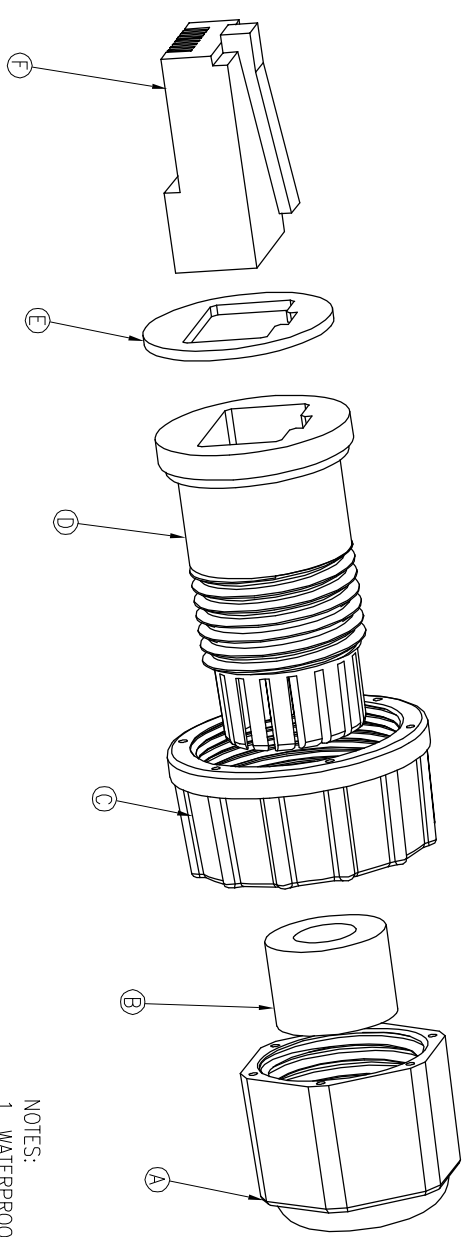
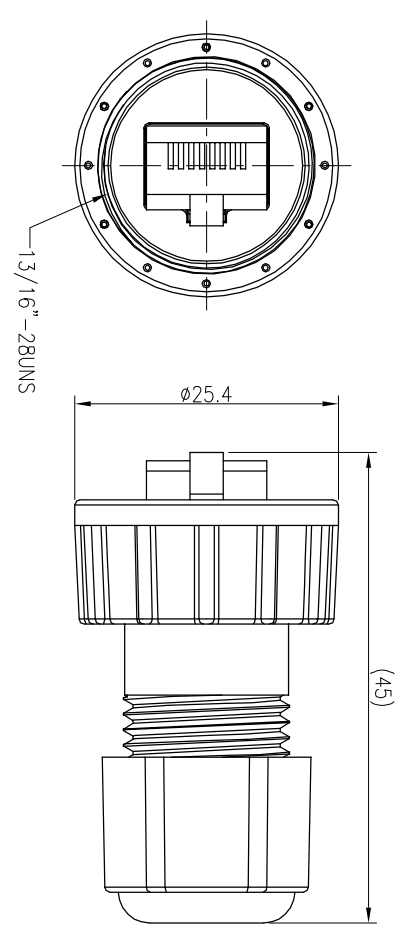


REV.	ECN NO.	OR DESCRIPTION	REVISED	DATE
A	PDR NO.:	T200414-2A	MF	2020.05.09
B	ECN NO.:	S202211-R09	MF	2022.11.15



- NOTES:
1. WATERPROOF RATE: IP67(WHEN PROPERLY MATED)
IP67: IMMERSED IN 1M WATER FOR 30 MINUTES
 2. ELECTRICAL CHARACTERISTICS:
 - 1-1. RATING:125V 1.5A
 - 1-2. CONTACT RESISTANCE: 30mΩ MAX.(INITIAL)
 - 1-3. DIELECTRIC WITHSTANDING VOLTAGE: 750V AC FOR ONE MINUTE
 - 1-4. INSULATION RESISTANCE: 500MΩ MIN. MEASURED BY 500 VDC
 3. OTHER GENERAL SPEC. TO REFER "RJ45 SERIES SPEC".
 4. TO CONFORM TO SINGATRON HAZARDOUS SUBSTANCE FREE SPEC.
 5. GREEN PRODUCT IDENTIFICATION LABEL ON PACKAGING: **RoHS PASS**
 6. CABLE RANGE:φ6.0mm~φ7.0mm



NO	DESCRIPTION	QTY	MATERIAL	PLATING & COLOR
A	SEALING NUT	1	PA66 FR370	BLACK
B	SEAL	1	EPDM	BLACK
C	SCREW NUT	1	PC 9330	BLACK
D	CLAMP RING	1	PC 9330	BLACK
E	GASKET	1	SILICONE	BLACK
F	RJ45 PLUG	1	CAT5E RJ45 FTP PLUG	N/A

UNLESS OTHERWISE SPECIFIED TOLERANCES

DECIMALS:	ANGLES:
X :±0.5	X :±2°
X.X :±0.3	X.X :±1°
X.XX :±0.2	

TITLE	WATERPROOF RJ45 PLUG
DWN	MF
CHKD	JF
APVD	Steve
CUSTOMER COPY	

Suzhou Singatron Auto Electronics CO.,LTD.
蘇州信合汽車電子有限公司

