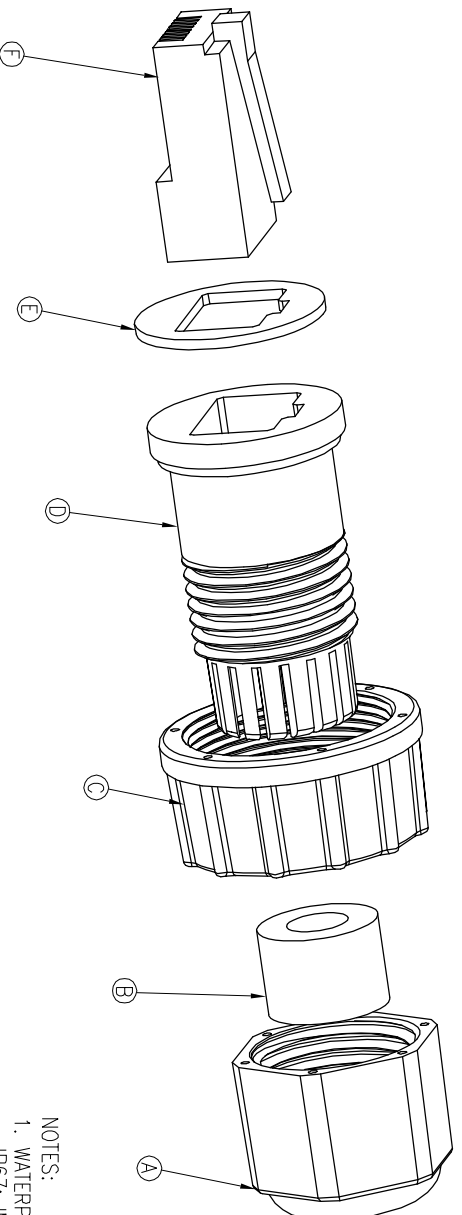
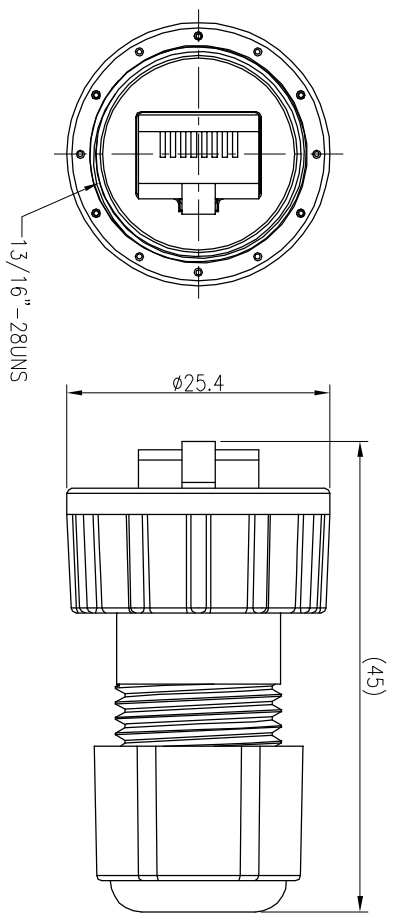


REV.	ECN NO.	OR DESCRIPTION	REVISED	DATE
A	PDR NO.:	T200617-9A	JAY	2020.08.17
B	ECN NO.:	S202211-R09	MF	2022.11.15



- NOTES:
1. WATERPROOF RATE: IP67(WHEN PROPERLY MATED)  
IP67: IMMERSED IN 1M WATER FOR 30 MINUTES
  2. ELECTRICAL CHARACTERISTICS:
    - 1-1. RATING:125V 1.5A
    - 1-2. CONTACT RESISTANCE: 30mΩ MAX.(INITIAL)
    - 1-3. DIELECTRIC WITHSTANDING VOLTAGE: 750V AC FOR ONE MINUTE
    - 1-4. INSULATION RESISTANCE: 500MΩ MIN. MEASURED BY 500 VDC
  3. SEAL FOR CABLE OD:φ6.5mm~φ7.0mm
  4. OTHER GENERAL SPEC. TO REFER "RJ45 SERIES SPEC."
  5. TO CONFORM TO SINGATRON HAZARDOUS SUBSTANCE FREE SPEC.
  6. GREEN PRODUCT IDENTIFICATION LABEL ON PACKAGING: **GR-1458**



△B

NO	DESCRIPTION	QTY	MATERIAL	PLATING & COLOR
F	RJ45 PLUG	1	CAT5E RJ45 FTP PLUG	N/A
E	GASKET	1	SILICONE	BLACK
D	CLAMP RING	1	PC 9330	BLACK
C	SCREW NUT	1	PC 9330	BLACK
B	SEAL	1	EPDM ID=9.0MM	BLACK
A	SEALING NUT	1	PA66 FR370	BLACK
NO	DESCRIPTION	QTY	MATERIAL	PLATING & COLOR

UNLESS OTHERWISE SPECIFIED TOLERANCES

DECIMALS: ANGLES:

X	:±0.5	X	:±2°
X.X	:±0.3	X.X	:±1°
X.XX	:±0.2		

Suzhou Singatron Auto Electronics CO.,LTD.  
蘇州信益汽車電子有限公司

TITLE WATERPROOF RJ45 PLUG

DWN WF PART NO.2133000-W05139H

CHKD JF SCALE 1:1 UNIT: mm

APVD Steve SIZE: A3 SHEET:1 OF 1 REV: B

CUSTOMER COPY