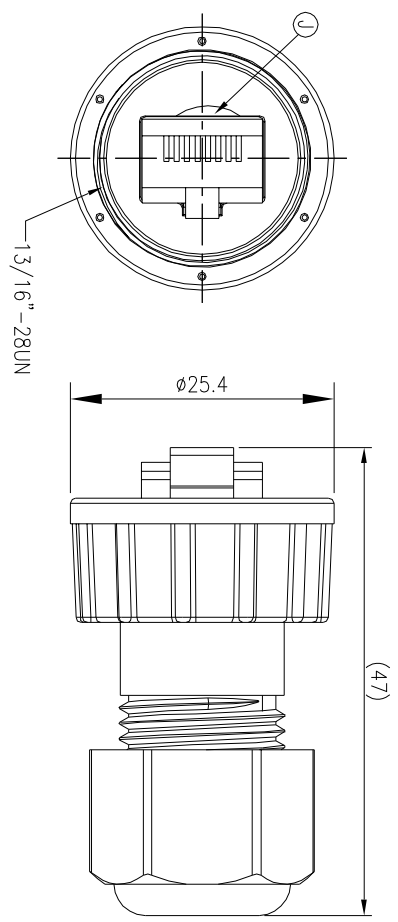
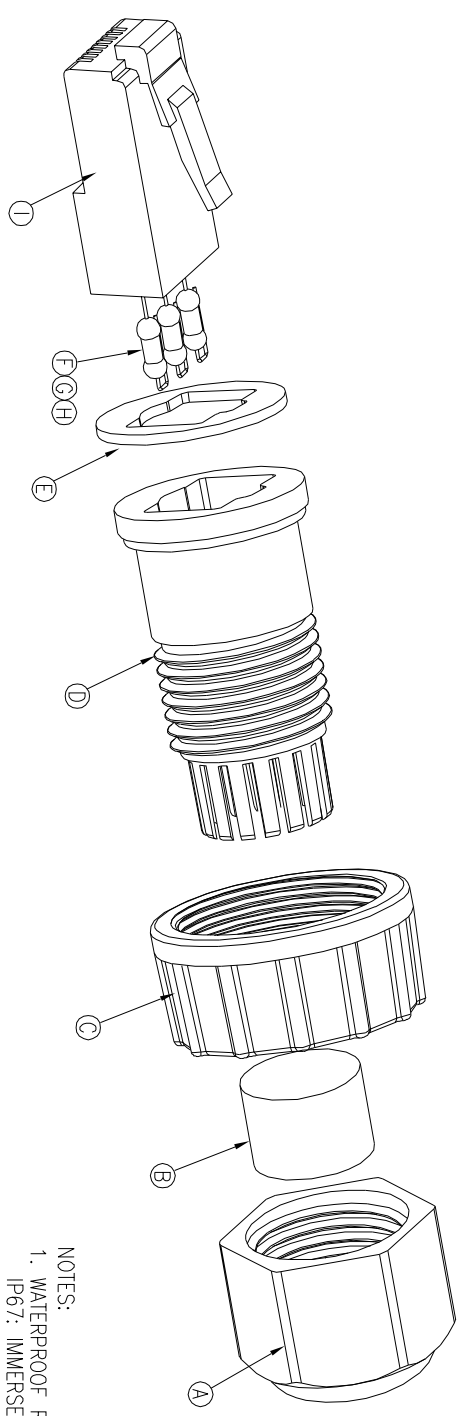
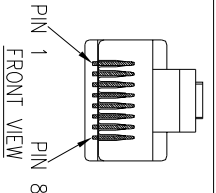


REV: A	ECN NO OR DESCRIPTION: PDR NO.:A221011-3A	REVISED: RZ	DATE: 2023.02.22
--------	---	-------------	------------------



PIN 7&PIN 8 SERIES RESISTANCE
PIN 5&PIN 6 SERIES RESISTANCE
PIN 1&PIN 2 SERIES RESISTANCE



- NOTES:
1. WATERPROOF RATE: IP67(WHEN PROPERLY MATED)
IP67: IMMersed IN 1M WATER FOR 30 MINUTES
 2. ELECTRICAL CHARACTERISTICS:
1-1. RATING:125V 1.5A
1-2. DIELECTRIC WITHSTANDING VOLTAGE: 300V AC FOR ONE MINUTE
1-3. INSULATION RESISTANCE: 300MΩ MIN. MEASURED BY 300 VDC
 3. RJ45 PLUG PIN1&PIN2,PIN5&PIN6,PIN7&PIN8 CONNECTING RESISTANCE.
 4. OTHER GENERAL SPEC: TO REFER "RJ45 SERIES SPEC."
 5. TO CONFORM TO SINGAITRON HAZARDOUS SUBSTANCE FREE SPEC.
 6. GREEN PRODUCT IDENTIFICATION LABEL ON PACKAGING:

J	LIQUID GLUE	1	EPOXY RESIN	BLACK
I	RJ45 PLUG	1	CAT.5E FTP PLUG	N/A
H	WIRE	6	UL1061 26AWG	NA
G	TUBE	3	125°C 300V	BLACK
F	RESISTANCE	3	1/2W 120Ω	N/A
E	GASKET	1	SILICONE	GRAY
D	CLAMP RING	1	PC	BLACK
C	SCREW NUT	1	PC	BLACK
B	SEAL	1	SILICONE	BLACK
A	SEALING NUT	1	PA66	BLACK
NO	DESCRIPTION	QTY	MATERIAL	PLATING & COLOR

UNLESS OTHERWISE SPECIFIED TOLERANCES

Suzhou Singatron Auto Electronics CO.,LTD.
蘇州新格汽車電子有限公司

DECIMALS:	ANGLES:	TITLE
X :±0.5 X :±2°		WATERPROOF RJ45 PLUG
XX :±0.3 XX :±1°		
XXX :±0.2		

DMN	RZ	PART NO.:2133000-W05153H
CHKD	JF	SCALE 1:1 UNIT: mm
APVD	JF	SIZE: A4 SHEET:1 OF 1 REV: A

CUSTOMER COPY