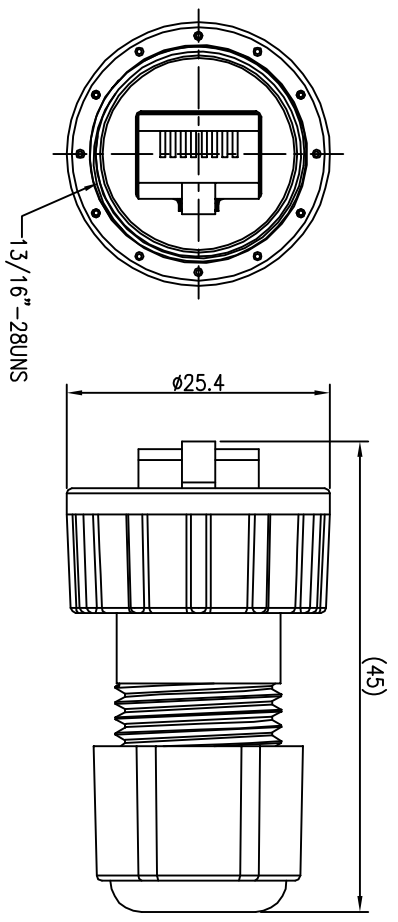
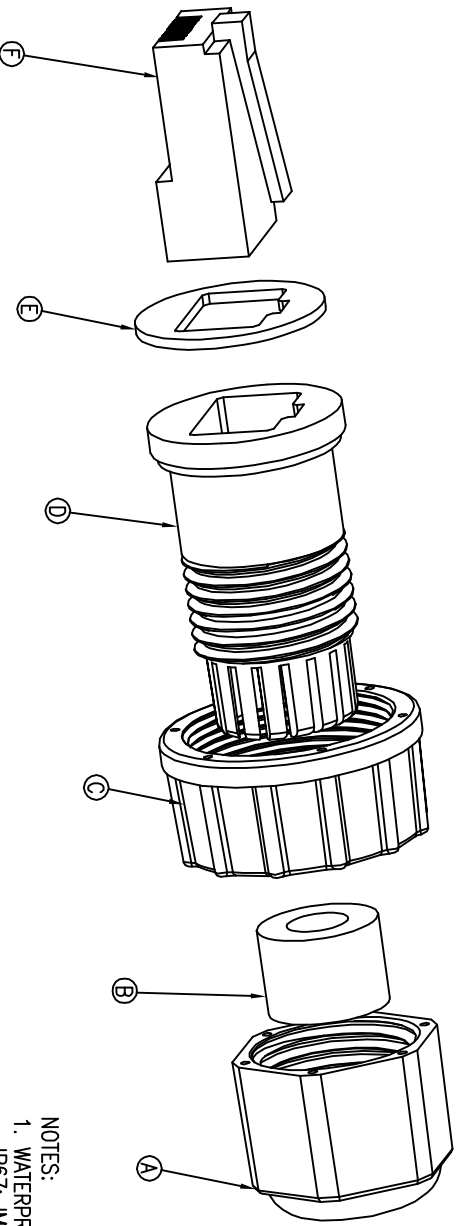


REV.	ECN NO	OR DESCRIPTION	REVISED	DATE
A	PDR NO.:A221013-5A		JAY	2023.02.10



- NOTES:
1. WATERPROOF RATE: IP67 (WHEN PROPERLY MATED)
IP67: IMMERSED IN 1M WATER FOR 30 MINUTES
 2. ELECTRICAL CHARACTERISTICS:
 - 1-1. RATING: 125V/1.5A
 - 1-2. CONTACT RESISTANCE: 30mΩ MAX. (INITIAL)
 - 1-3. DIELECTRIC WITHSTANDING VOLTAGE: 750V AC FOR ONE MINUTE
 - 1-4. INSULATION RESISTANCE: 500MΩ MIN. MEASURED BY 500 VDC
 3. SEAL FOR CABLE OD: $\phi 3.5\text{mm} \sim \phi 5.5\text{mm}$
 4. OTHER GENERAL SPEC: TO REFER "RJ45 SERIES SPEC."
 5. TO CONFORM TO SINGATRON HAZARDOUS SUBSTANCE FREE SPEC.
 6. GREEN PRODUCT IDENTIFICATION LABEL ON PACKAGING:
 7. RJ45 PLUG ARE SHIPPED IN ACCESSORIES

NO	DESCRIPTION	QTY	MATERIAL	PLATING & COLOR
F	RJ45 PLUG	1	8P8C SHIELD	GOLD PLATING
E	GASKET	1	SILICONE	BLACK
D	CLAMP RING	1	PC 9330	BLACK
C	SCREW NUT	1	PC 9330	BLACK
B	SEAL	1	EPDM	BLACK
A	SEALING NUT	1	PA66 FR370	BLACK

UNLESS OTHERWISE SPECIFIED TOLERANCES

TITLE	WATERPROOF RJ45 STP PLUG
DWN	JAY
CHKD	MF
APVD	JF

DECIMALS: ANGLES:

X : ±0.5 X : ±2
 X.X : ±0.3 X.X : ±1'
 X.XX : ±0.2

Suzhou Singatron Auto Electronics CO.,LTD.
 苏州信音汽车电子有限公司

CUSTOMER COPY

