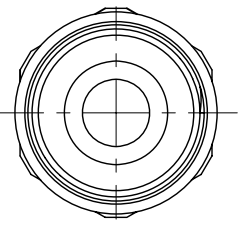
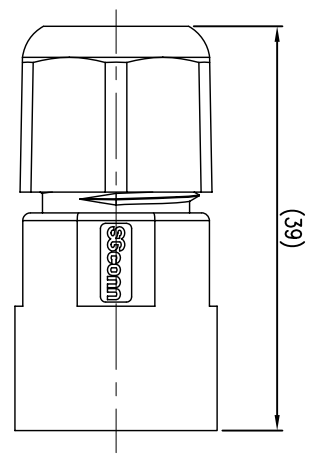
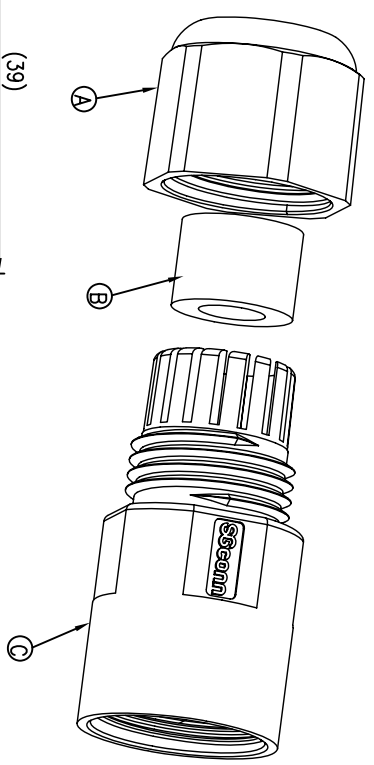


REV.	ECN NO OR DESCRIPTION	REVISED	DATE
A	PDR NO:11311106-3A	Horlen	2014.9.16



- NOTES:
1. WATERPROOF RATE: IP67(MATED)
  2. TO CONFORM TO SINGATRON HAZARDOUS SUBSTANCE FREE SPEC.
  3. GREEN PRODUCT IDENTIFICATION LABEL ON PACKAGING: G.P. PASS
  4. SEAL FOR CABLE OD:φ3.0mm~φ6.0mm

C	SCREW NUT	1	PA66	BLACK
B	SEAL	1	SILICONE	BLACK
A	SEALING NUT	1	PA66	BLACK
NO	DESCRIPTION	QTY	MATERIAL	PLATING & COLOR
UNLESS OTHERWISE SPECIFIED TOLERANCES				
Singatron Enterprise Co., Ltd. 信營企業股份有限公司				
TITLE WATERPROOF R445 PLUG Assembly				
DMW	Horlen	PART NO:2733001-705110H		
CHKD	JF	SCALE 1:1	UNIT: mm	
APVD	Steve	SIZE: A3	SHEET: 1 OF 1	REV: A

DECIMALS:	ANGLES:		
X :±0.5	X :±2°		
XX :±0.3	XX :±1'		
XXX :±0.2			

CUSTOMER COPY