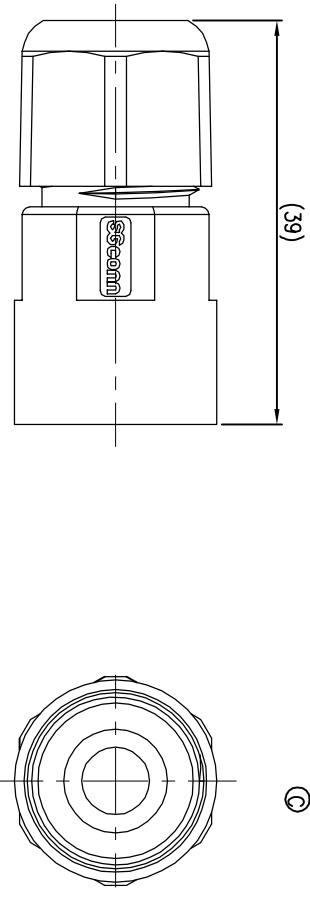
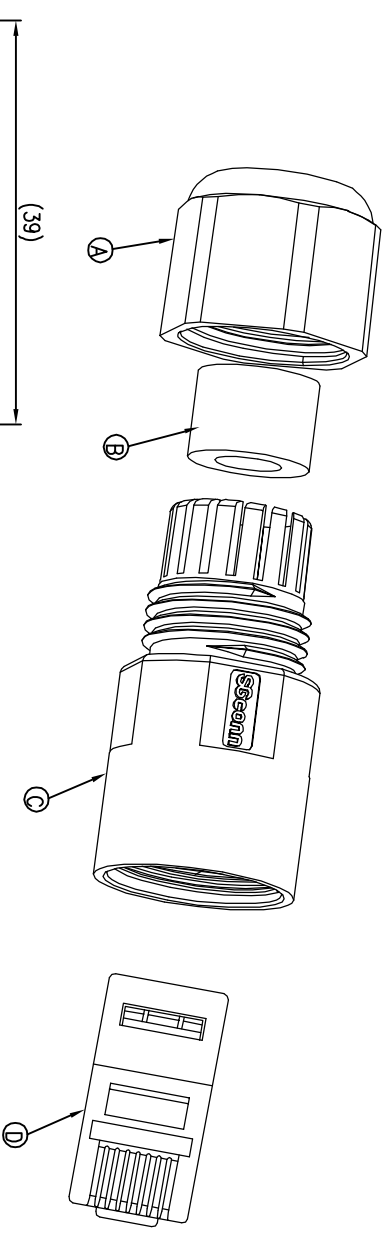



REV.	ECN NO OR DESCRIPTION	REVISED	DATE
A	PDR NO.:S141017-7B	Vicky	2014.09.29



NOTES:

- 1 ELECTRICAL CHARACTERISTICS:
- 1-1 CONTACT RESISTANCE: 20 mOhm Max.
 - 1-2 INSULATION RESISTANCE: 100 MOhm Min. at 500VDC.
 - 1-3 BREAKDOWN VOLTAGE: 500 VAC PER MINUTE.
 - 1-4 CURRENT RATING:125V DC 1A
2. SEAL FOR CABLE OD:φ3.0mm~φ6.0mm
3. SEALING REQUIREMENTS: IP66/67(MATED)
4. TO CONFORM TO SINGATRON HAZARDOUS SUBSTANCE FREE SPEC.
5. GREEN PRODUCT IDENTIFICATION LABEL ON PACKAGING: 

D	RJ45 PLUG	1	8P8C PLUG	N/A
C	SCREW NUT	1	PA66	BLACK
B	SEAL	1	SILICONE	BLACK
A	SEALING NUT	1	PA66	BLACK
NO	DESCRIPTION	QTY	MATERIAL	PLATING & COLOR

UNLESS OTHERWISE SPECIFIED TOLERANCES

DECIMALS:		ANGLES:	
X	:±0.5	X	:±2°
X.X	:±0.3	X.X	:±1'
X.XX	:±0.2		
TITLE		WATERPROOF RJ45 PLUG Assembly	
DWN	Vicky	PART NO.:	27133001-W05112H
CHKD	Harlen	SCALE	1:1
APVD	Steve	SIZE:	A3
		SHEET:	1 OF 1
		REV:	A

CUSTOMER COPY

