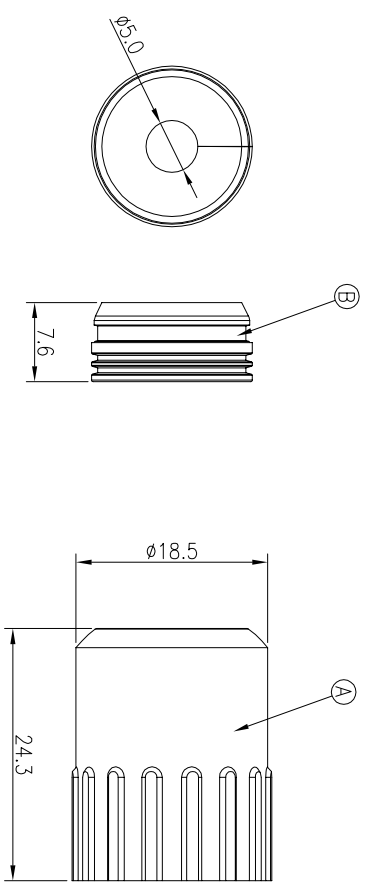


REV.	EGN NO.	OR DESCRIPTION	REVISED	DATE
A	PDR NO.:	S150701 - 1A	Yang	2016.07.20



B	SEAL	1	SILICONE	BLACK
A	NUT	1	NYLON	BLACK
NO	DESCRIPTION	QTY	MATERIAL	PLATING & COLOR
UNLESS OTHERWISE SPECIFIED TOLERANCES				
 Singatron Enterprise Co., Ltd. 信晉企業股份有限公司				
TITLE WATERPROOF RJ45 PLUG				
DWN	Yang	PART NO.:	27J3001 - W05113H	
CHKD	Horlen	SCALE:	2:1	UNIT: mm
APVD	Steve	SIZE:	A3	SHEET: 1 OF 1
REV: A				

- NOTES:
1. SPECIFICATIONS:SEE "CIRCULAR SERIES SPECIFICATIONS".
 2. TO CONFORM TO SINGATRON HAZARDOUS SUBSTANCE FREE SPEC.
 3. GREEN PRODUCT IDENTIFICATION LABEL ON PACKAGING: 

