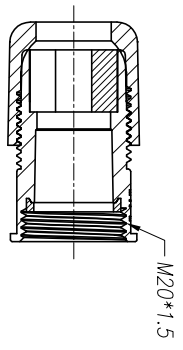
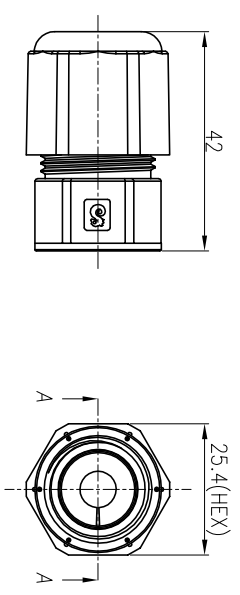
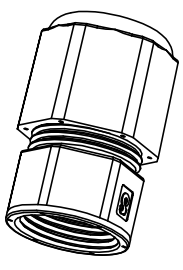
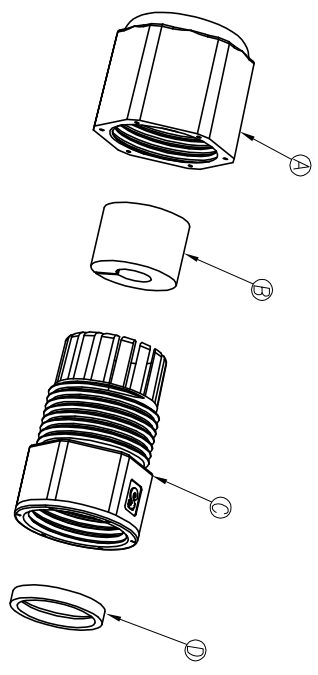


REV.	EGN NO OR DESCRIPTION	REVISED	DATE
A	PDR NO.:S111212-4A	Glen	2011.12.27
B	ECN NO.S130725	YF	2014.08.13

- NOTES:
1. WATERPROOF RATE: IP67(WHEN PROPERLY MATED)
IP67: IMMERSED IN 1M WATER FOR 30 MINUTES
 2. OTHER GENERAL SPEC. TO REFER "RJ45 SERIES SPEC".
 3. TO CONFORM TO SINGATRON HAZARDOUS SUBSTANCE FREE SPEC.
 4. GREEN PRODUCT IDENTIFICATION LABEL ON PACKAGING: **G.P. PASS**



SECTION A-A

D	GASKET	1	SILICONE	BLACK
C	CLAMP RING	1	PC	BLACK
B	SEAL	1	SILICONE	BLACK
A	SEALING NUT	1	PC	BLACK
NO	DESCRIPTION	QTY	MATERIAL	PLATING & COLOR

UNLESS OTHERWISE SPECIFIED TOLERANCES

Singatron Enterprise Co., Ltd.
信亨企業股份有限公司

DECIMALS:	ANGLES:
X :±0.5	X :±2°
X.X :±0.3	X.X :±1°
X.XX :±0.2	

TITLE	PANEL AND INLINE CONFIGURATION
DWN YF	PART NO.2TJ3002-W05102H
CHKD Harden	SCALE:1:1 UNIT: mm
APVD Steve	SIZE: A3 SHEET:1 OF 1 REV: B

CUSTOMER COPY

