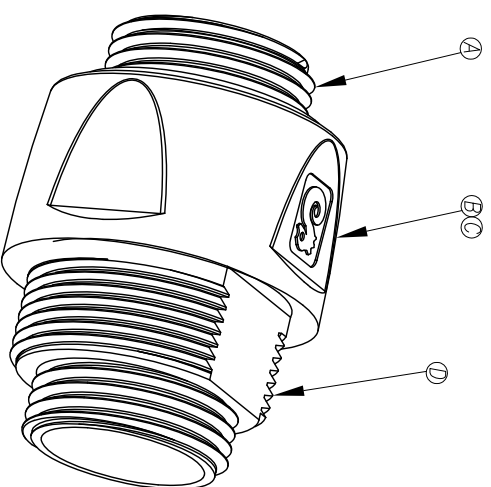
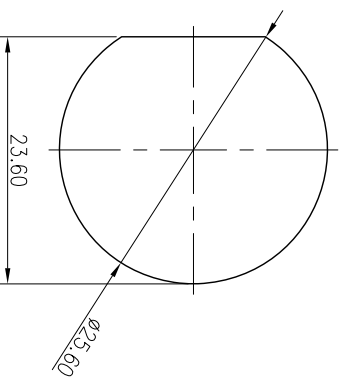
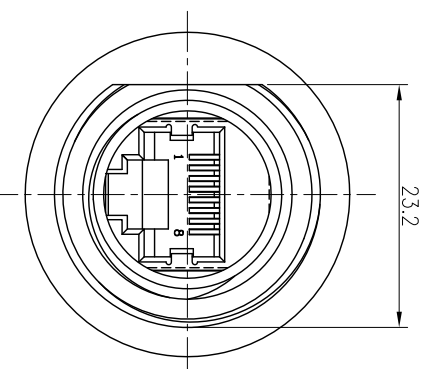
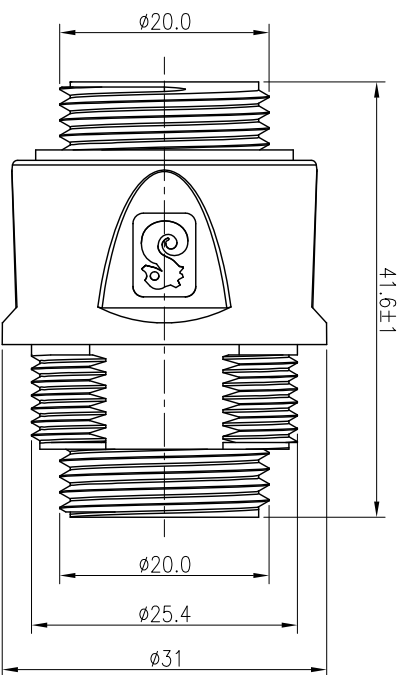
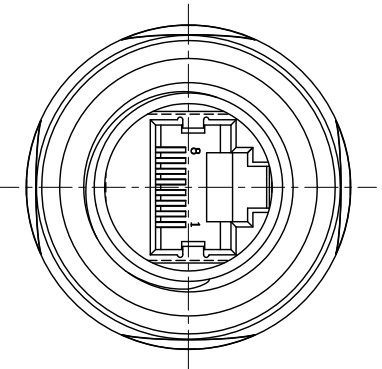


REV.	ECN NO.	OR DESCRIPTION	REVISED	DATE
A	PDR NO.:S11212-4B		Glen	2011.12.27



- NOTES:
- ELECTRICAL CHARACTERISTICS:
    - 1-1. RATING:125V 1.5A
    - 1-2. CONTACT RESISTANCE: 30 mΩ MAX.(INITIAL)
    - 1-3. DIELECTRIC WITHSTANDING VOLTAGE: 300V AC FOR ONE MINUTE
    - 1-4. INSULATION RESISTANCE: 30MΩ MIN. MEASURED BY 300 VDC
  - OTHER GENERAL SPEC. TO REFER "RJ45 SERIES SPEC".
  - TO CONFORM TO SINGATRON HAZARDOUS SUBSTANCE FREE SPEC.
  - GREEN PRODUCT IDENTIFICATION LABEL ON PACKAGING: **G.P. PASS**
  - FOR PANEL THICKNESS MAX OF 4.0mm

NO	DESCRIPTION	QTY	MATERIAL	PLATING & COLOR
D	HOUSING	1	ABS UL94V-0	BLACK
C	RJ45 JACK	1	CAT5E STP	N/A
B	OVER MOLD	1	PVC	BLACK
A	HOUSING	1	ABS UL94V-0	BLACK

UNLESS OTHERWISE SPECIFIED TOLERANCES

DECIMALS: ANGLES: °

X : ±0.5 X : ±2°  
 X.X : ±0.3 X.X : ±1°  
 X.XX : ±0.2

TITLE	信普企業股份有限公司 SINGATRON Enterprise Co., Ltd.			
DWN	Glen	PART NO. 2TJ3002-W05103H	PANEL AND IN-LINE CONFIGURATION	
CHKD	Shawn	SCALE: 1:1	UNIT: mm	R45 NETWORK SOLUTION
APVD	Tony	SIZE: A3	SHEET: 1 OF 1	REV: A

CUSTOMER COPY

