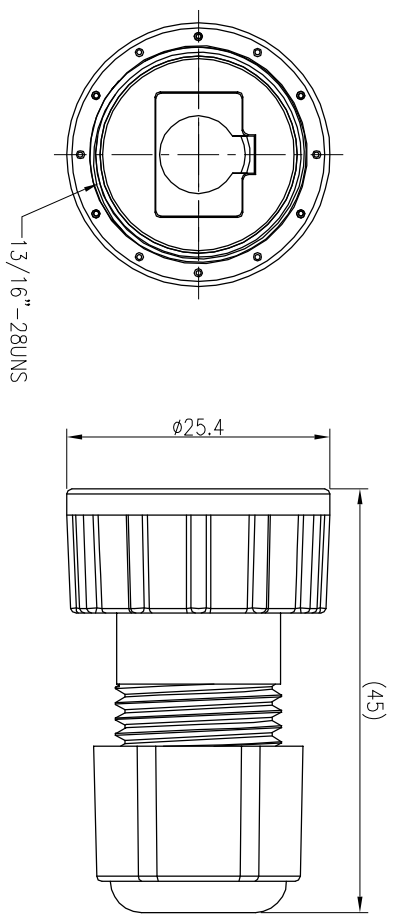
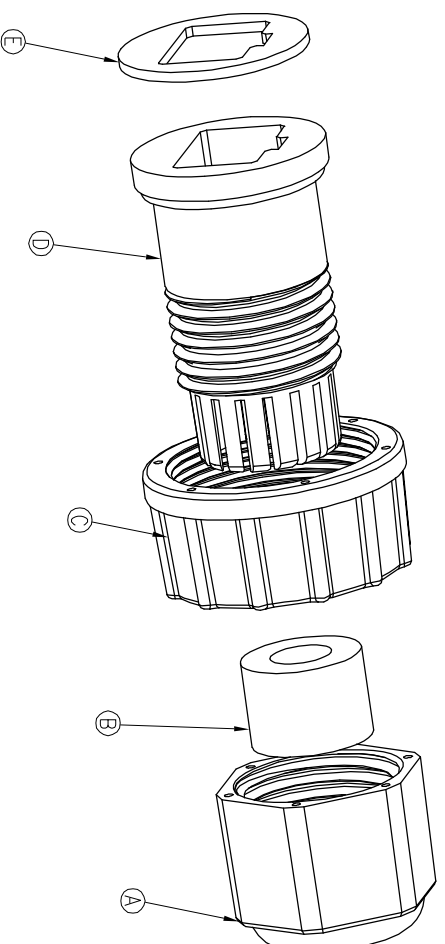


| REV. | ECN NO.             | OR DESCRIPTION | REVISED | DATE       |
|------|---------------------|----------------|---------|------------|
| A    | PDR NO.:T161024-SA  |                | JF      | 2017.01.11 |
| B    | ECN NO.:S202211-R09 |                | MF      | 2022.11.15 |



- NOTES:
1. WATERPROOF RATE: IP67(WHEN PROPERLY MATED)  
IP67: IMMersed IN 1M WATER FOR 30 MINUTES
  2. OTHER GENERAL SPEC. TO REFER "RJ45 SERIES SPEC".
  3. TO CONFORM TO SINGATRON HAZARDOUS SUBSTANCE FREE SPEC.
  4. GREEN PRODUCT IDENTIFICATION LABEL ON PACKAGING:

| NO | DESCRIPTION | QTY | MATERIAL | PLATING & COLOR |
|----|-------------|-----|----------|-----------------|
| E  | GASKET      | 1   | SILICONE | BLACK           |
| D  | CLAMP RING  | 1   | PC       | BLACK           |
| C  | SCREW NUT   | 1   | PC       | BLACK           |
| B  | SEAL        | 1   | EPDM     | BLACK           |
| A  | SEALING NUT | 1   | PA66     | BLACK           |

UNLESS OTHERWISE SPECIFIED TOLERANCES

| DECIMALS:  | ANGLES:  |
|------------|----------|
| X :±0.5    | X :±2°   |
| X.X :±0.3  | X.X :±1° |
| X.XX :±0.2 |          |

| TITLE                        | Suzhou Singatron Auto Electronics CO.,LTD.<br>蘇州信益汽車電子有限公司 |               |
|------------------------------|--|---------------|
| WATERPROOF RJ45 WITHOUT PLUG |  |               |
| DWN MF                       | PART NO.2TJ3002-W05109H                                    |               |
| CHKD JF                      | SCALE 1:1  | UNIT: mm      |
| APVD STEVE                   | SIZE: A3   | SHEET: 1 OF 1 |
| REV: B                       |  |               |

CUSTOMER COPY

