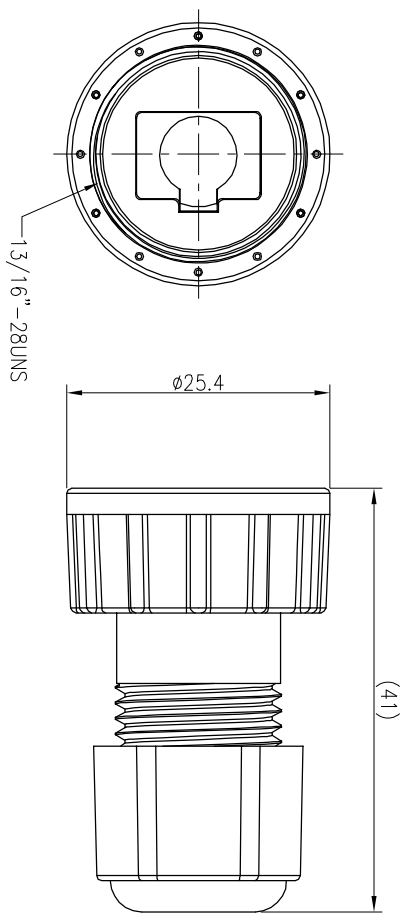
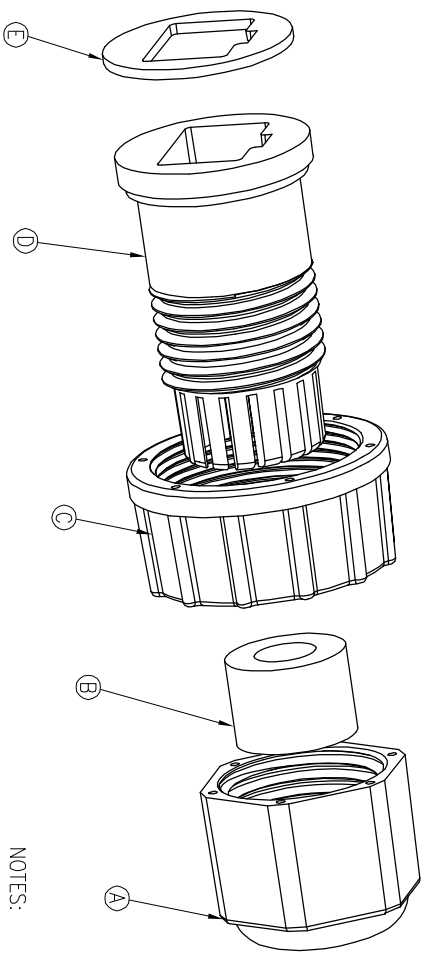


REV.	ECN NO.	OR DESCRIPTION	REVISED	DATE
A	PDR NO.:T171019-2A		Jun	2018.03.08
B	ECN NO.:S202211-R09		MF	2022.11.15



- NOTES:
1. WATERPROOF RATE: IP67(WHEN PROPERLY MATED)
IP67: IMMERSED IN 1M WATER FOR 30 MINUTES
 2. ELECTRICAL CHARACTERISTICS:
 - 1-1. RATING:125V/1.5A
 - 1-2. CONTACT RESISTANCE: 30mΩ MAX.(INITIAL)
 - 1-3. DIELECTRIC WITHSTANDING VOLTAGE: 750V AC FOR ONE MINUTE
 - 1-4. INSULATION RESISTANCE: 500MΩ MIN. MEASURED BY 500 VDC
 3. SEAL FOR CABLE OD:φ3.5mm~φ5.5mm
 4. OTHER GENERAL SPEC: TO REFER "RJ45 SERIES SPEC."
 5. TO CONFORM TO SINGATRON HAZARDOUS SUBSTANCE FREE SPEC.
 6. GREEN PRODUCT IDENTIFICATION LABEL ON PACKAGING:

△B

NO	DESCRIPTION	QTY	MATERIAL	PLATING & COLOR
E	GASKET	1	SILICONE	BLACK
D	CLAMP RING	1	PA66	WHITE
C	SCREW NUT	1	PA66+GF	WHITE
B	SEAL	1	EPDM	BLACK
A	SEALING NUT	1	PA66	WHITE

UNLESS OTHERWISE SPECIFIED TOLERANCES

DECIMALS:	ANGLES:
X :±0.5	X :±2°
X.X :±0.3	X.X :±1°
X.XX :±0.2	

TITLE	WATERPROOF RJ45 WITHOUT PLUG
DWN	WF
CHKD	JF
APVD	Steve

PART NO.2TJ3002-W05110H

SCALE 1:1 UNIT: mm

SIZE: A3 SHEET: 1 OF 1 REV: B

CUSTOMER COPY

Suzhou Singatron Auto Electronics CO.,LTD.
蘇州信營汽車電子有限公司