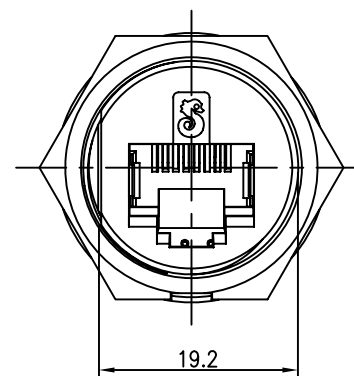
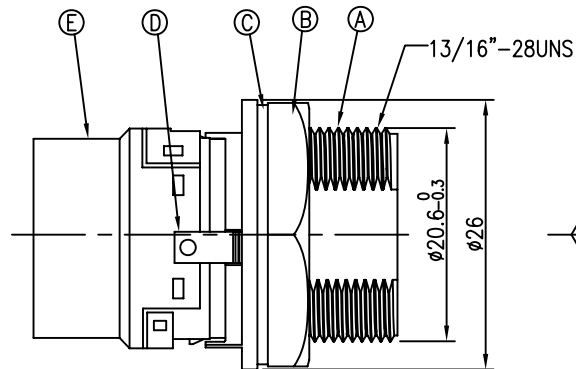
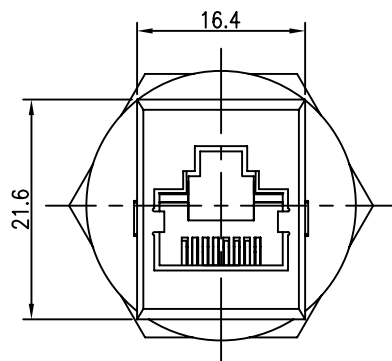
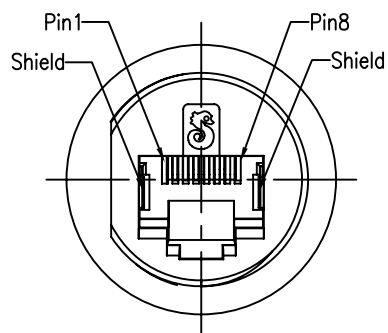
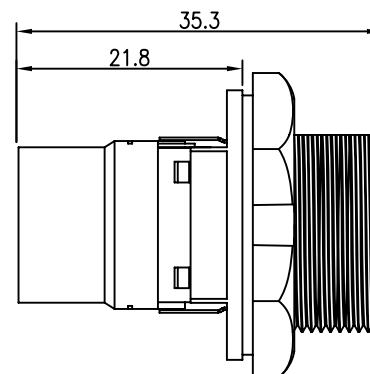


REV.	ECN NO OR DESCRIPTION	REVISED	DATE
A	PDR NO.:T090522-4A	Steve	2009.07.28
B	ECR:S091219	joe-liao	2009.12.17

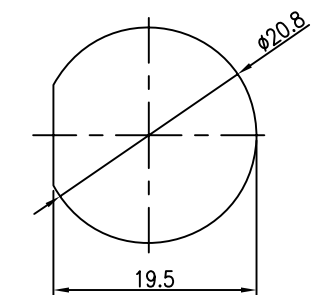


NOTES:

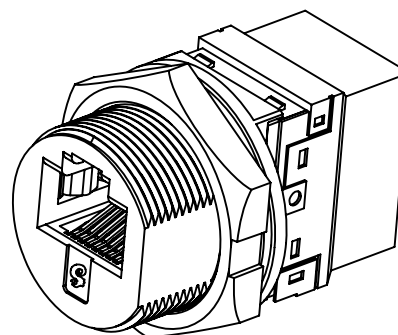
1. WATERPROOF RATE: IP67(WHEN PROPERLY MATED)
IP67: IMMERSED IN 1M WATER FOR 30 MINUTES
2. ELECTRICAL CHARACTERISTICS:
 - 1-1. RATING:125V 1.5A
 - 1-2. CONTACT RESISTANCE: 100mΩ MAX.(INITIAL)
 - 1-3. DIELECTRIC WITHSTANDING VOLTAGE: 500V AC FOR ONE MINUTE
 - 1-4. INSULATION RESISTANCE: 100MΩ MIN. MEASURED BY 500 VDC
3. OTHER GENERAL SPEC. TO REFER "RJ45 SERIES SPEC".
4. TO CONFORM TO SINGATRON HAZARDOUS SUBSTANCE FREE SPEC.
5. GREEN PRODUCT IDENTIFICATION LABEL ON PACKAGING: G.F. PASS
6. FOR PANEL THICKNESS MAX OF 3.5mm



PIN ASSIGNMENTS
FRONT VIEW



RECOMMENDED PANEL CUT-OUT



NO	DESCRIPTION	QTY	MATERIAL	PLATING & COLOR
E	RJ45 JACK	1	CAT5E STP	N/A
D	GROUND	2	C5210-EH, T=0.25mm	NICKEL PLATING 60u"
C	GASKET	1	EPDM	BLACK
B	SCREW NUT	1	PPE	BLACK
A	HOUSING	1	PPE	BLACK

UNLESS OTHERWISE SPECIFIED TOLERANCES		Singatron Enterprise Co., Ltd. 信音企業股份有限公司		
DECIMALS:	ANGLES:	TITLE	WATERPROOF RJ45 CAT.5E STP JACK	
X :±0.5	X :±2°	DWN	joe-liao	PART NO.2TJ3003-W05100
X.X :±0.3	X.X :±1°	CHKD	Steve	SCALE 2:1 UNIT: mm
X.XX :±0.2		APVD	Max	SIZE: A3 SHEET:1 OF 1 REV: B

CUSTOMER COPY