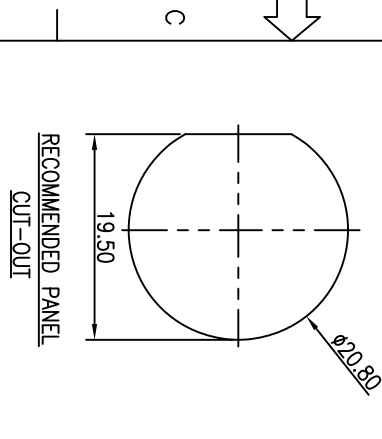
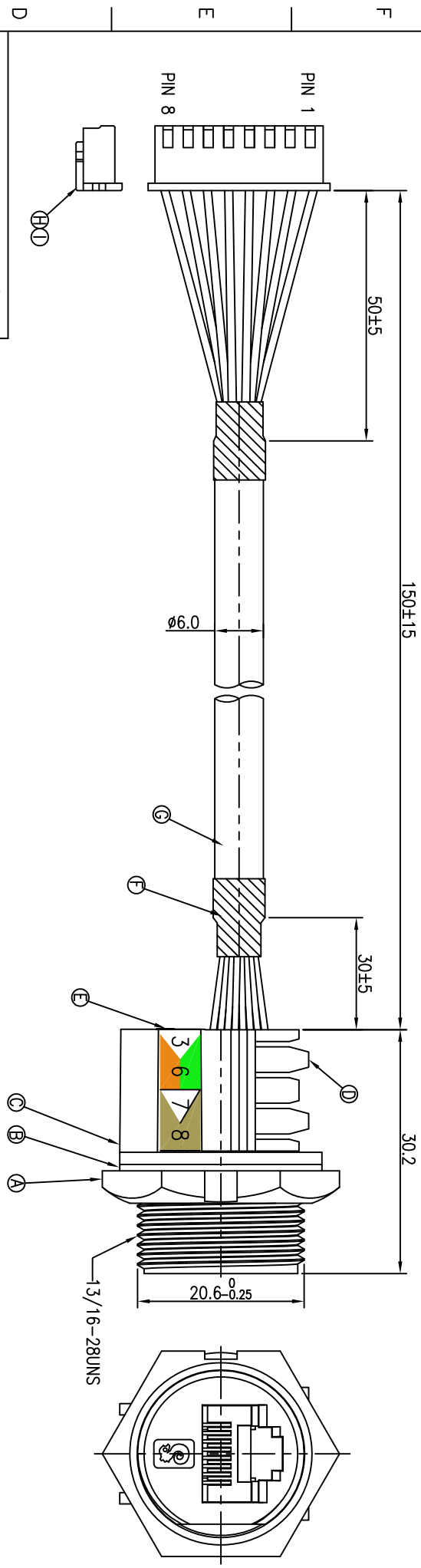
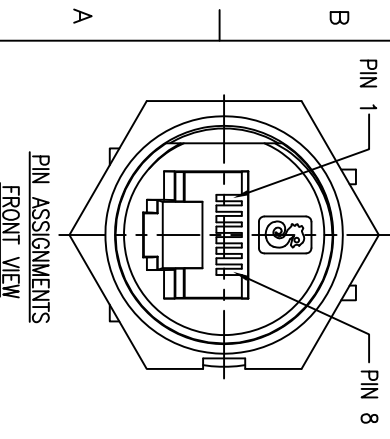


REV.	ECN NO OR DESCRIPTION	REVISED	DATE
A	PDR NO.:S100714-1A	Shown	2010.10.20



- NOTES:
1. WATERPROOF RATE: IP67(WHEN PROPERLY MATED) IP67: IMMersed IN 1M WATER FOR 30 MINUTES
 2. RATING:125V 1.5A
 3. OTHER GENERAL SPEC. TO REFER "RJ45 SERIES SPEC.".
 4. TO CONFORM TO SINGATRON HAZARDOUS SUBSTANCE FREE SPEC.
 5. GREEN PRODUCT IDENTIFICATION LABEL ON PACKAGING: GR 2245
 6. FOR PANEL THICKNESS MAX OF 3.5mm



8	ORANGE/WHITE	8	TWIST
7	ORANGE	7	TWIST
6	GREEN/WHITE	6	TWIST
5	BLUE	5	TWIST
4	BLUE/WHITE	4	TWIST
3	GREEN	3	TWIST
2	BROWN/WHITE	2	TWIST
1	BROWN	1	TWIST
HOUSING	WIRE COLOR	CONN	

NO	DESCRIPTION	QTY	MATERIAL	PLATING & COLOR
A	NUT	1	PPE	BLACK
B	GASKET	1	EPDM	BLACK
C	CLIP SOCKET	1	PPE	BLACK
D	PCB	1	P/N:4TJ3003-W0000P	N/A
E	LABEL	1	P/N:4TJ3003-W0000F	N/A
F	HEAT SHRINK TUBE	2	125° 300V L20	BLACK
G	CABEL	1	CA15E FTP 24#*4P+MY+D +A/M UV RESISTANT	BLACK(PVC JACKET)
H	HOUSING	1	P/N:4HSJMT-A250108	N/A
I	TERMINAL	8	P/N:4TRJMT-A250101	N/A

DECIMALS:	ANGLES:
X :±0.5	X :±2°
X.X :±0.3	X.X :±1°
X.XX :±0.2	

UNLESS OTHERWISE SPECIFIED TOLERANCES

Singatron Enterprise Co., Ltd.
 信音企業股份有限公司

TITLE: RJ45 KEYSTONE JACK SOCKET

DWN: Shown PART NO. 2TJ3003-W05104

CHKD: Steve SCALE 2:1 UNIT: mm

APVD: Max SIZE: A3 SHEET: 1 OF 1 REV: A

CUSTOMER COPY