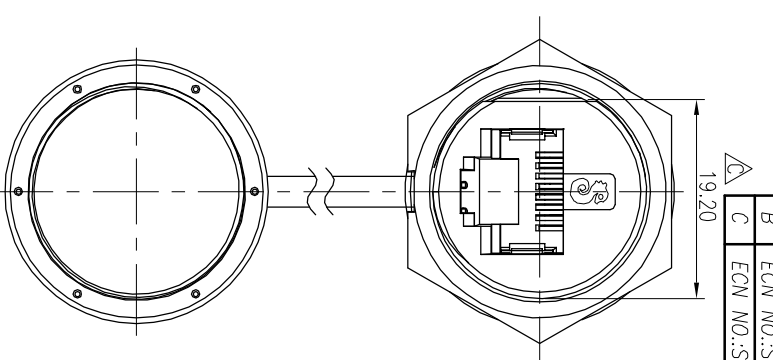
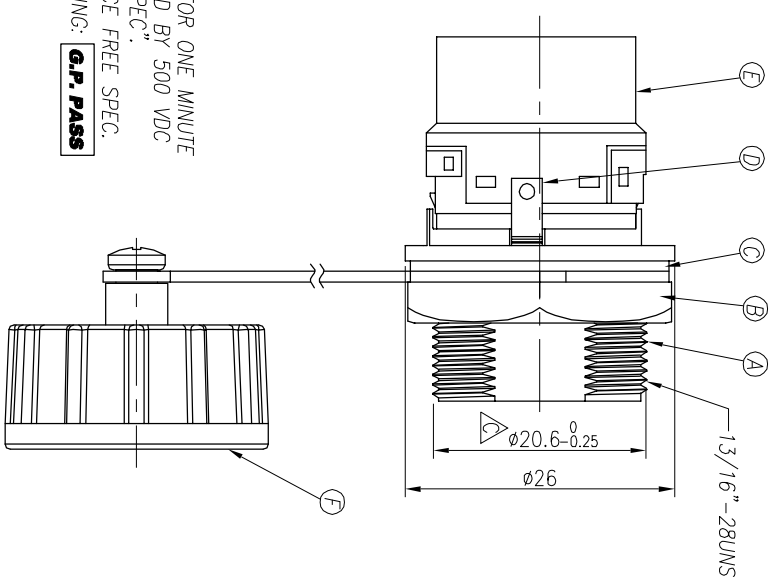
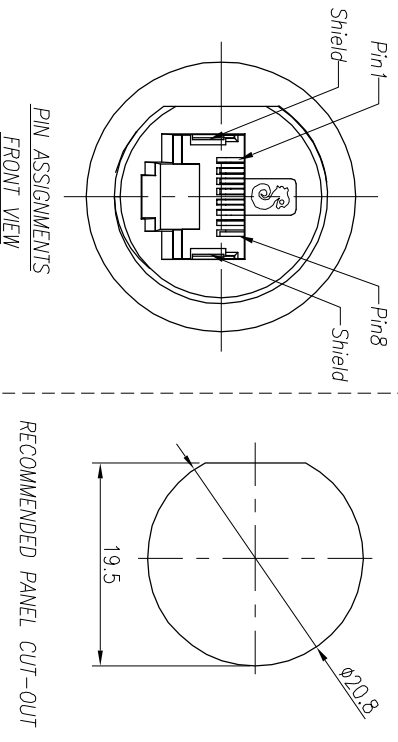


REV	ECN NO	OR DESCRIPTION	REVISED	DATE
A	PDR NO.:S101221-6H		Glen	2010.12.10
B	ECN NO.:S171258-R		Yang	2017.12.22
C	ECN NO.:S202104-R12		LEI	2021.07.15



- NOTES:
1. WATERPROOF RATE: IP67(WHEN PROPERLY MATED)  
IP67: IMMERSED IN 1M WATER FOR 30 MINUTES
  2. ELECTRICAL CHARACTERISTICS:
    - 1-1. RATING:125V 1.5A
    - 1-2. CONTACT RESISTANCE: 100mΩ MAX.(INITIAL)
    - 1-3. DIELECTRIC WITHSTANDING VOLTAGE: 500V AC FOR ONE MINUTE
    - 1-4. INSULATION RESISTANCE: 100MΩ MIN. MEASURED BY 500 VDC
  3. OTHER GENERAL SPEC. TO REFER "R445 SERIES SPEC".
  4. TO CONFORM TO SINGATRON HAZARDOUS SUBSTANCE FREE SPEC.
  5. GREEN PRODUCT IDENTIFICATION LABEL ON PACKAGING: **G.P. PASS**
  6. FOR PANEL THICKNESS MAX OF 3.5mm



PIN ASSIGNMENTS  
FRONT VIEW

RECOMMENDED PANEL CUT-OUT

F	WATERPROOF CAP	1	P/N:2UB3001-W0000W	N/A
E	R445 JACK	1	CAT5E STP	N/A
D	GROUND	2	C5210-EH, T=0.25mm	NICKEL PLATING 60u"
C	GASKET	1	EPDM	BLACK
B	SCREW NUT	1	PA66+GF	BLACK
A	HOUSING	1	PC	BLACK
NO	DESCRIPTION	QTY	MATERIAL	PLATING & COLOR
UNLESS OTHERWISE SPECIFIED TOLERANCES				
Suzhou Singatron Auto Electronics CO.,LTD. 蘇州信益汽車電子有限公司				
TITLE		WATERPROOF R445 CAT5E STP JACK		
DWG		LEI	PART NO.:2TJ3003-W05110	
CHKD		JF	SCALE 2:1	UNIT: mm
APVD		JF	SIZE: A3	SHEET: 1 OF 1
				REV: C

DECIMALS: :±0.5 X :±2'  
X.X :±0.3 X.X :±1°  
X.XX :±0.2

CUSTOMER COPY