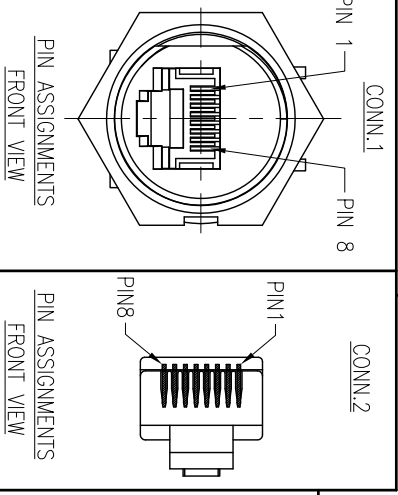
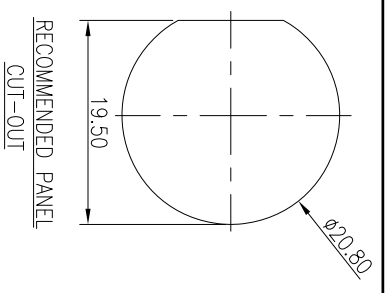
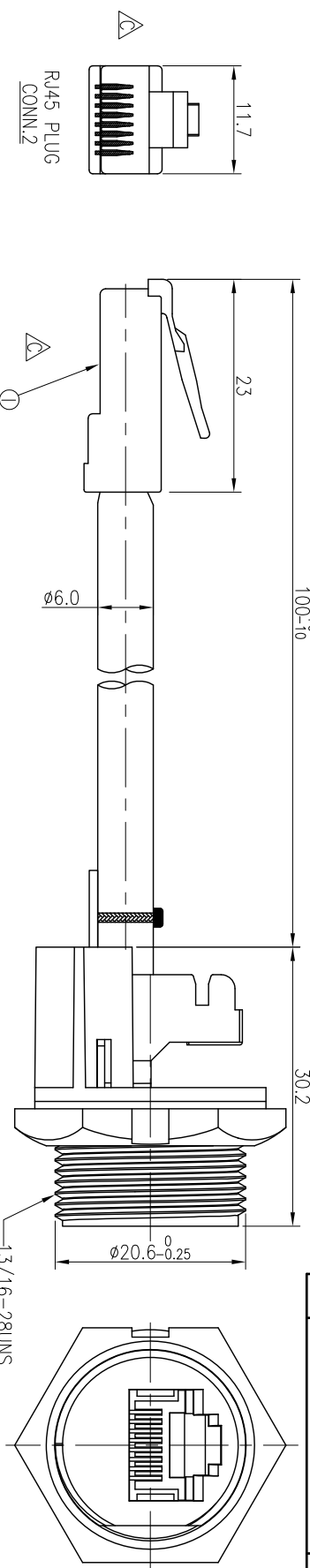
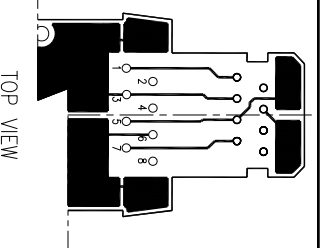


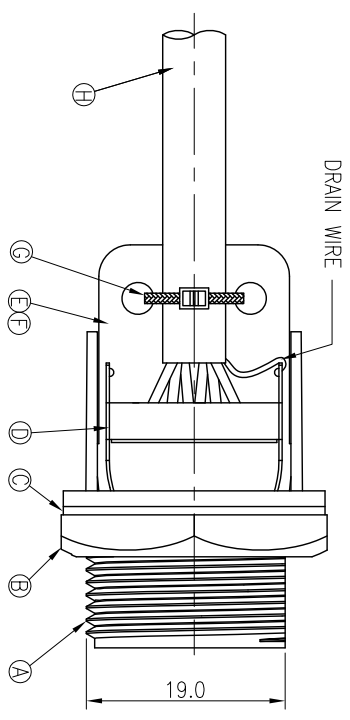
REV.	ECN NO. OR DESCRIPTION	REVISED	DATE
A	PDR NO.:S110318-6A	Shown	2011.10.24
B	ECN NO.:S120402	Shown	2012.04.06
C	ECN NO.:S120854	JF	2012.08.20



- NOTES:
1. WATERPROOF RATE: IP67 (WHEN PROPERLY MATED)
 2. RATING: 125V 1.5A
 3. OTHER GENERAL SPEC. TO REFER "R445 SERIES SPEC".
 4. TO CONFORM TO SINGATRON HAZARDOUS SUBSTANCE FREE SPEC.
 5. GREEN PRODUCT IDENTIFICATION LABEL ON PACKAGING: **GREEN PASS**
 6. FOR PANEL THICKNESS MAX OF 3.5mm



SHIELD	DRAIN	SHIELD
8	ORANGE/WHITE	8
7	ORANGE	7
6	GREEN/WHITE	6
5	BLUE	5
4	BLUE/WHITE	4
3	GREEN	3
2	BROWN/WHITE	2
1	BROWN	1
PCB	WIRE COLOR	CONN2.



ITEM	DESCRIPTION	QTY	MATERIAL	PLATING & COLOR
I	R445 PLUG	1	8P8C SHIELD	GOLD PLATING
H	CABEL	1	CAT5E FTP 24#*4P+WR+D +A/M UV RESISTANT	BLACK(PVC JACKET)
G	CABLE TIES	1	NYLON	BLACK
F	CR445	1	N/A	GOLD PLATING 6u"MIN
E	PCB	1	FR-4	GREEN
D	GROUND	1	Phosphor Bronze	NICKEL PLATING 60u"
C	GASKET	1	EPDM	BLACK
B	NUT	1	PPE	BLACK
A	HOUSING	1	PPE	BLACK
NO	DESCRIPTION	QTY	MATERIAL	PLATING & COLOR

UNLESS OTHERWISE SPECIFIED TOLERANCES:

DECIMALS: ANGLES:

X : ±0.5 X : ±2°

X.X : ±0.3 X.X : ±1'

X.XX : ±0.2

Singatron Enterprise Co., Ltd.
信音企業股份有限公司

PART NO.: 2TJ3003-W05112

SCALE 2:1 UNIT: mm

SIZE: A3 SHEET: 1 OF 1 REV: C

CUSTOMER COPY