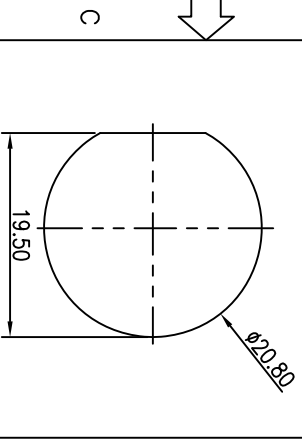
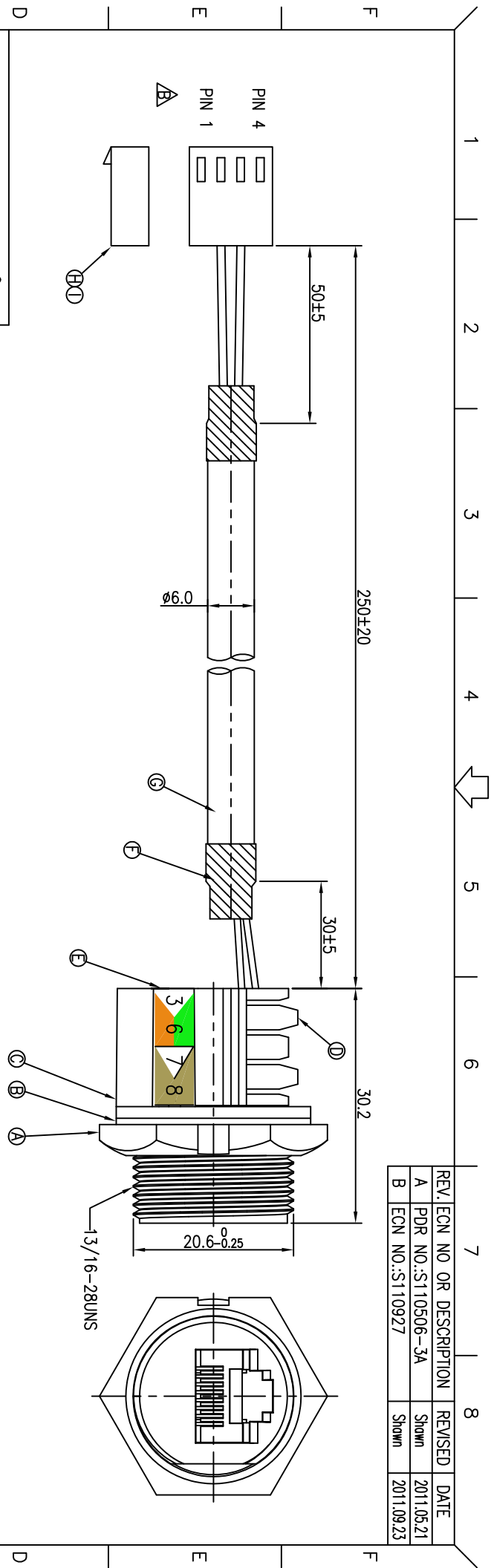
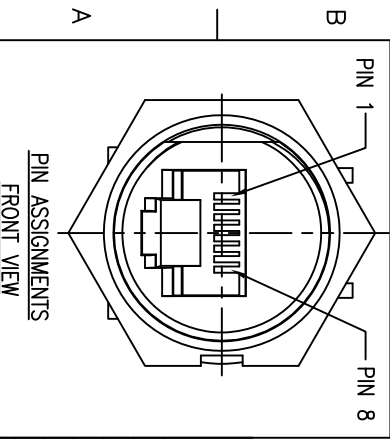


REV.	ECN NO OR DESCRIPTION	REVISED	DATE
A	PDR NO.:S110506-3A	Shown	2011.05.21
B	ECN NO.:S110927	Shown	2011.09.23



- NOTES:
1. WATERPROOF RATE: IP67(WHEN PROPERLY MATED)
IP67: IMMERSED IN 1M WATER FOR 30 MINUTES
 2. RATING:125V 1.5A
 3. OTHER GENERAL SPEC. TO REFER "RJ45 SERIES SPEC".
 4. TO CONFORM TO SINGATRON HAZARDOUS SUBSTANCE FREE SPEC.
 5. GREEN PRODUCT IDENTIFICATION LABEL ON PACKAGING: GR-PASS
 6. FOR PANEL THICKNESS MAX OF 3.5mm



4	3	2	1
BLUE/WHITE	BLUE	BLUE	BLUE
4	5	5	5
WIRE COLOR	CONN	CONN	CONN
PIN OUT			

TWIST

NO	DESCRIPTION	QTY	MATERIAL	PLATING & COLOR
1	TERMINAL	2	P/N:4TRJMOX-0050291	TIN PLATED
2	HOUSING	1	P/N:4HSMOX-0101120	WHITE
3	CABEL	1	CAT5E FTP 24#*4P+M+D +A/M OD=6.0	BLACK(PVC JACKET)
4	HEAT SHRINK TUBE	2	125' 300V L=10mm	BLACK
5	LABEL	1	P/N:4TJ3003-W0000F	N/A
6	PCB	1	P/N:4TJ3003-W0000P	N/A
7	CLIP SOCKET	1	PPE	BLACK
8	GASKET	1	EPDM	BLACK
9	NUT	1	PPE	BLACK

UNLESS OTHERWISE SPECIFIED TOLERANCES

DECIMALS:	ANGLES:
X :±0.5	X :±2°
X.X :±0.3	X.X :±1°
X.XX :±0.2	

TITLE	SCALE	UNIT	REV.
RJ45 KEYSTONE SOCKET	2:1	mm	1
APVD	TONY	SIZE: A3	SHEET: 1 OF 1

Singatron Enterprise Co., Ltd.
信亨企業股份有限公司

CUSTOMER COPY