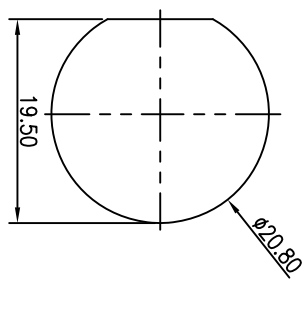
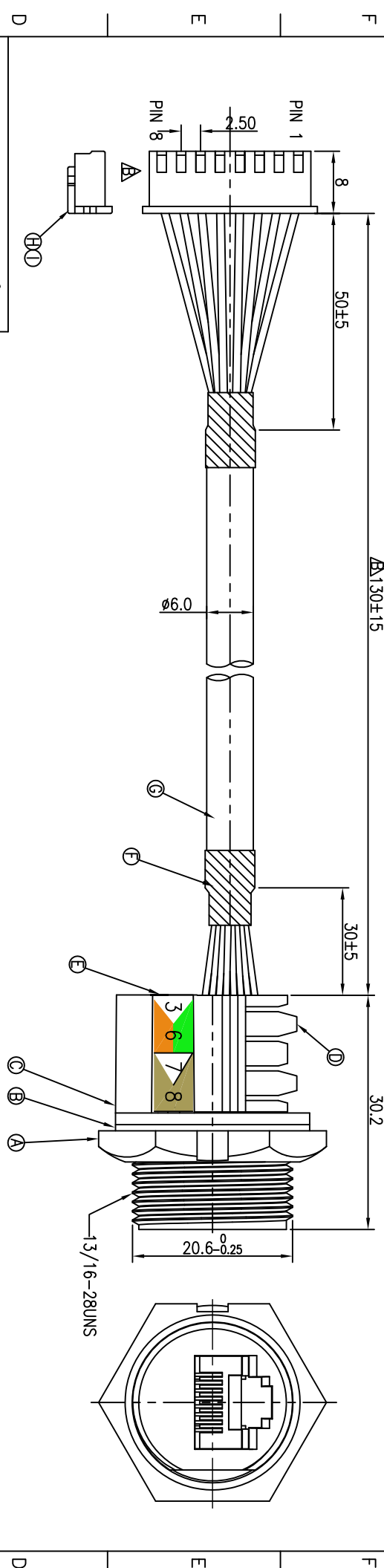
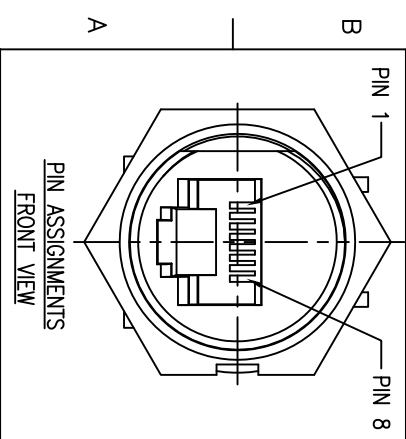


REV.	ECN NO OR DESCRIPTION	REVISED	DATE
A	PDR NO.:S110906-5A	LILY	2011.11.14
B	ECN NO.:S111204	LILY	2011.12.27



RECOMMENDED PANEL CUT-OUT

- NOTES:
1. WATERPROOF RATE: IP67(WHEN PROPERLY MATED)
IP67: IMMERSED IN 1M WATER FOR 30 MINUTES
 2. RATING:125V 1.5A
 3. OTHER GENERAL SPEC. TO REFER "RJ45 SERIES SPEC."
 4. TO CONFORM TO SINGATRON HAZARDOUS SUBSTANCE FREE SPEC.
 5. GREEN PRODUCT IDENTIFICATION LABEL ON PACKAGING: Gr. Pass
 6. FOR PANEL THICKNESS MAX OF 3.5mm



PIN ASSIGNMENTS FRONT VIEW

HOUSING	WIRE COLOR	CONN	PIN OUT
1	BROWN	1	TWIST
2	BROWN/WHITE	2	TWIST
3	GREEN	3	TWIST
4	BLUE/WHITE	4	TWIST
5	BLUE	5	TWIST
6	GREEN/WHITE	6	TWIST
7	ORANGE	7	TWIST
8	ORANGE/WHITE	8	TWIST

NO	DESCRIPTION	QTY	MATERIAL	PLATING & COLOR
I	TERMINAL	8	BRASS	TIN-PLATED
H	HOUSING	1	NYLON 66 UL 94V-0	WHITE
G	CABEL	1	CAT5E FTP 24#*4P+MY+D +A/M UV RESISTANT	BLACK(PVC JACKET)
F	HEAT SHRINK TUBE	2	125" 300V 120	BLACK
E	LABEL	1	P/N:4TJ3003-W0000F	N/A
D	PCB	1	P/N:4TJ3003-W0000P	N/A
C	CLIP SOCKET	1	PPE	BLACK
B	GASKET	1	EPDM	BLACK
A	NUT	1	PPE	BLACK

UNLESS OTHERWISE SPECIFIED TOLERANCES

DECIMALS:	ANGLES:
X :±0.5	X :±2°
X.X :±0.3	X.X :±1°
X.XX :±0.2	

Singatron Enterprise Co., Ltd.
信管企業股份有限公司

TITLE R45 KEYSTONE JACK SOCKET

DWN LILY PART NO.2TJ3003-W05120H

CHKD Shown SCALE 2:1 UNIT: mm

APVD Tony SIZE: A3 SHEET:1 OF 1 REV: B

CUSTOMER COPY